

**Product Range
International
2009**

**PVC-C
piping systems for
industrial application
Pipe, Fittings,
Valves and Accessories**



List of abbreviations

ANSI	American National Standard	DN	Nominal bore
ASTM	American Society for Testing and Materials	PN	Nominal pressure at 20°C, water
BS	British Standard	kg	Weight in kilograms
DIN	Deutsche Industrie-Normen	g	Weight in grams
ISO	International Standardization Organisation	SP	Standard pack. The figure given indicates the quantity of fittings contained in a standard pack
ABS	Acrylnitril Butadien Styrene	GP	Gross pack. The figure given indicates the quantity of fittings contained in a gross pack
PVC-U	Polyvinyl Chloride	G	Pipe thread, not pressure tight in the thread to ISO 228/1
PVC-C	Polyvinyl Chloride chlorinated	NPT	Taper male thread pressure tight in the thread to ANSI B 1.20.1
PP	Polypropylene, heat stabilised	R	Taper male thread, pressure tight in the thread to ISO 7/DIN 2999/1
PE	Polyethylene	Rc	Taper female thread, pressure tight in the thread to ISO 7/1
PVDF	Polyvinylidene fluoride	Rp	Parallel female thread, pressure tight in the thread to ISO 7/DIN 2999/1
EPDM	Ethylene Propylene Rubber	Tr	Trapezoid thread
FPM	Fluorine Rubber, e.g. Viton®	SC	Size of hexagon bolts
NBR	Nitrile Rubber	s	A/F
IIR	Butyl Rubber	e	Wall thickness
CSM	Chlore Sulphonyl Polythene, e.g. Hypalon®	AL	Number of bolt holes
CR	Chloroprene Rubber, e.g. Neoprene®	®	Registered trade-mark
PTFE	Polytetrafluorethylene, e.g. Teflon®		
PBTP	Polybutylene terephthalate		
UP-GF	Unsaturated polyester resin glassfibre reinforced		
St	Steel		
Ms	Brass		
Tg	Malleable Iron		
d	Pipe outside diameter		

PVC-C

	Page
General	4
Pressure/temperature diagram for PVC-C	4
 Pipes	5
 Fittings	6
 Adaptor Fittings	11
 Unions	13
 Flange Adaptors	19
 Ball valves 2-way DN10/15 - 50	20
 Spare parts ball valves 2-way	46
 Ball valves 3-way	48
 Spare parts ball valves 3-way	56
 Diaphragm valves PVC-C metric	59
 Spare parts diaphragm valves	61

	Ball check valves PVC-C metric	65
	Spare parts ball check valves	66
	Butterfly valves PVC-C	69
	Spare parts butterfly valves	78
	Strainers PVC-C metric	81
	Spare parts line strainer	82
	Ball valves electric	85
	Ball valves pneumatic	108
	Diaphragm valves pneumatic	136
	Butterfly valves electric	148
	Butterfly valves pneumatic	160
	Backing Flanges, PP-V, PP/Steel	169
	Seals	171



Pipe Clips metric

Codenummer Index

Application area of pipes and fittings

General

The choice of material and the pressure rating of the pipe components are important for both operating safety and for attaining the specified minimum operational life of the system.

The decisive factors are:

- operating pressure
- operating temperature
- medium transported
- duration of service.

Separate calculations are necessary if safety factors are different or the operational lifetime is modified.

The chemical resistance of the material used can be determined from our special list for "Chemical resistance of thermoplastics and elastomers for piping systems".

Pressure/temperature diagram for PVC-C

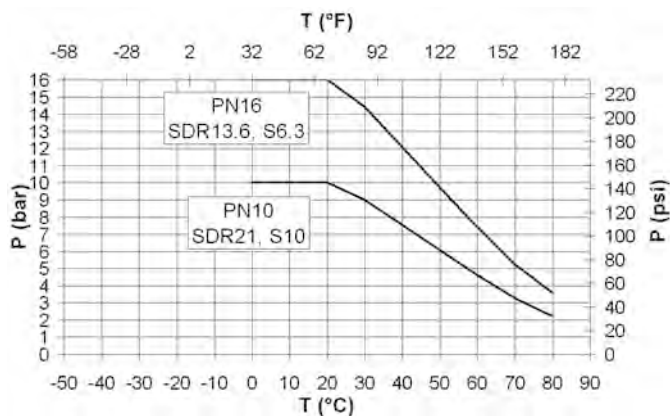
The following pressure/temperature diagram for PVC-C pipes and fittings is valid for a lifetime of 25 years.

The design factor recommended by GF is incorporated.

It can be used for water or media resembling water, in other words, media which have no derating factor regarding the chemical resistance.

Remark: Please take into account the pressure/temperature diagrams for valves and special fittings. Because of the construction and/or sealing material used, differences are possible when compared with pipes and fittings. This information can be found in the planning fundamentals of the relevant types of valves, respectively special fittings.

Under certain conditions working temperatures up to 90 °C are possible for limited times. Please contact your local GF representative for advice on any applications lying outside of our standard guidelines.

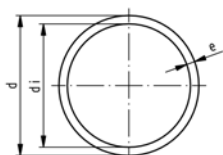


P Permissible pressure in bar, psi

T Temperature in °C, °F

PVC-C

Pipes



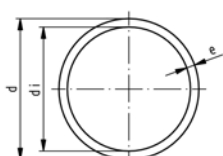
Pipe PVC-C, metric

Series S4, SDR 9, nominal pressure PN 16 (at 20°C)

Model:

- Material: PVC-C
- Colour: RAL 7038 - agate grey
- Dimension: DIN 8079
- Pipe length: 5m, with plain ends
- Minimum order quantity: 1 length

d [mm]	PN	Code	kg/m	e [mm]	di [mm]
16	16	163 017 130	0.136	1,8	12.4
20	16	163 017 131	0.217	2,3	15.4
25	16	163 017 132	0.326	2,8	20.2



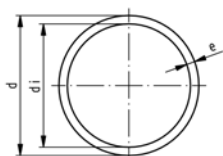
Pipe PVC-C, metric

Series S 6.3, SDR 13.6, nominal pressure PN 16 (at 20°C)

Model:

- Material: PVC-C
- Colour: RAL 7038 - agate grey
- Dimension: DIN 8079
- Pipe length: 5m, with plain ends
- Minimum order quantity: 1 length

d [mm]	PN	Code	kg/m	e [mm]	di [mm]
32	16	163 017 133	0.379	2.4	26.0
40	16	163 017 134	0.589	3.0	34.0
50	16	163 017 135	0.896	3.7	42.0
63	16	163 017 136	1.420	4.7	53.0
75	16	163 017 137	2.010	5.6	63.0
90	16	163 017 138	2.880	6.7	76.0
110	16	163 017 139	4.270	8.2	93.0
160	16	163 017 142	8.970	11.9	136.0



Pipe PVC-C, metric

Series S10, SDR 21, nominal pressure PN 10 (at 20°C)

Model:

- Material: PVC-C
- Colour: RAL 7038 - agate grey
- Dimension: DIN 8079
- Pipe length: 5m, with plain ends
- Minimum order quantity: 1 length

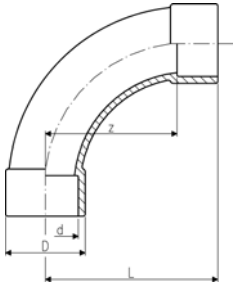
d [mm]	PN	Code	kg/m	e [mm]	di [mm]
75	10	163 017 187	1.320	3,6	67.8
90	10	163 017 188	1.930	4,3	81.4
110	10	163 017 189	2.890	5,3	99.4
160	10	163 017 192	6.060	7,7	124.6
225	10	163 017 195	11.900	10,8	203.4

PVC-C

Fittings

23 00 01

Bend 90°, PVC-C metric

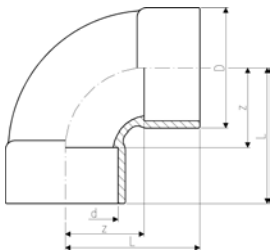


d [mm]	PN	Code	SP	kg	z [mm]	D [mm]	L [mm]
20	16	723 000 106	10	0.030	40	27	58
25	16	723 000 107	10	0.055	50	35	71
32	16	723 000 108	10	0.075	64	38	88
40	16	723 000 109	30	0.141	80	54	109
50	16	723 000 110	5	0.297	100	61	131
63	16	723 000 111	5	0.574	126	76	163
75	16	723 000 112	1	0.830	150	90	194
90	16	723 000 113	5	1.489	180	113	231
110	16	723 000 114	5	2.965	220	137	284
160	16	723 000 117	0	7.950	320	192	406

23 01 01

Bend 90°, short pattern, PVC-C metric

- Radius = 0,75 d

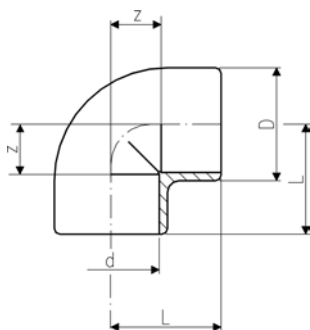


d [mm]	PN	Code	SP	kg	z [mm]	D [mm]	L [mm]
225	10	723 010 120	0	7.950	168	256	287

PVC-C

23 10 01

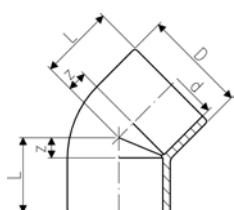
Elbow 90°, PVC-C metric



d [mm]	PN	Code	SP	kg	z [mm]	D [mm]	L [mm]
16	16	723 100 105	10	0.010	9	21	23
20	16	723 100 106	10	0.014	11	25	27
25	16	723 100 107	10	0.026	14	31	33
32	16	723 100 108	10	0.046	17	40	39
40	16	723 100 109	10	0.082	21	49	47
50	16	723 100 110	10	0.138	26	61	57
63	16	723 100 111	10	0.310	33	76	72
75	16	723 100 112	5	0.439	40	90	84
90	16	723 100 113	5	0.606	46	110	97
110	16	723 100 114	2	1.120	61	136	122
160	16	723 100 117	1	3.120	80	185	166

23 15 01

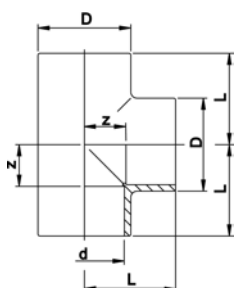
Elbow 45°, PVC-C metric



d [mm]	PN	Code	SP	kg	z [mm]	D [mm]	L [mm]
16	16	723 150 105	10	0.005	5	21	19
20	16	723 150 106	10	0.012	5	25	21
25	16	723 150 107	10	0.019	6	31	25
32	16	723 150 108	10	0.037	8	40	30
40	16	723 150 109	5	0.063	10	49	36
50	16	723 150 110	5	0.109	12	61	43
63	16	723 150 111	10	0.208	14	76	52
75	16	723 150 112	5	0.323	17	88	61
90	16	723 150 113	5	0.521	20	106	71
110	16	723 150 114	10	1.151	28	137	89
160	16	723 150 117	1	2.400	36	185	122
225	10	723 150 120	0	4.460	49	250	168

23 20 01

Tee 90°, PVC-C metric

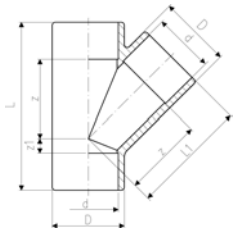


d [mm]	PN	Code	SP	kg	z [mm]	D [mm]	L [mm]
16	16	723 200 105	10	0.014	9	21	23
20	16	723 200 106	10	0.020	11	25	27
25	16	723 200 107	10	0.034	14	31	33
32	16	723 200 108	10	0.060	17	40	39
40	16	723 200 109	10	0.106	21	49	47
50	16	723 200 110	10	0.186	26	61	57
63	16	723 200 111	10	0.360	34	76	72
75	16	723 200 112	5	0.645	41	90	84
90	16	723 200 113	5	1.118	46	107	97
110	16	723 200 114	3	1.446	55	128	116
160	16	723 200 117	0	5.280	81	193	167
225	10	723 200 120	1	9.550	114	256	233

PVC-C

23 25 01

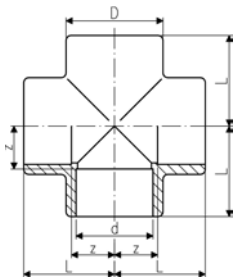
Tee 45°, PVC-C metric



d [mm]	PN	Code	SP	kg	z [mm]	z1 [mm]	D [mm]	L [mm]	L1 [mm]
20	10	723 250 106	10	0.039	30	6	28	68	46
25	10	723 250 107	10	0.062	36	9	33	83	55
32	10	723 250 108	10	0.108	45	10	41	99	67
40	10	723 250 109	10	0.171	56	10	50	118	82
50	10	723 250 110	10	0.287	66	12	60	140	97
63	10	723 250 111	10	0.445	85	14	74	175	123
75	6	723 250 112	5	0.870	101	18	91	207	145
90	6	723 250 113	1	1.344	122	20	107	245	173
110	6	723 250 114	3	2.695	149	27	134	298	210

23 30 01

Cross, PVC-C metric



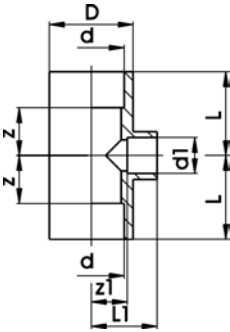
d [mm]	PN	Code	SP	kg	z [mm]	D [mm]	L [mm]
32	16	723 300 108	0	0.101	17	43	39
63	16	723 300 111	0	0.528	34	79	72

PVC-C

23 20 01

Tee 90° reducing, PVC-C metric

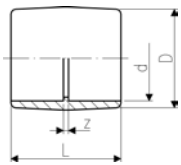
*Tee 90° delivered with the required reducing bushes



d [mm]	d1 [mm]	PN	Code	SP	kg	z [mm]	z1 [mm]	D [mm]	L [mm]	L1 [mm]
25	20	16	723 200 134	10	0.042	14	14	33	33	30
32	25	16	723 200 138	10	0.070	17	17	41	39	36
40	25	16	723 200 151	10	0.120	23	23	50	49	42
40	32	16	723 200 147	10	0.120	23	23	50	49	45
50	20	16	723 200 009	5	0.196	28	28	62	59	44
50	25	16	723 200 010	5	0.200	28	28	62	59	47
50	32	16	723 200 164	5	0.200	28	28	62	59	50
63	25	16	723 200 011	10	0.360	34	34	77	73	53
63	32	16	723 200 178	5	0.368	35	34	77	73	56
63	50	16	723 200 170	5	0.386	35	34	77	73	65
* 75	63	16	723 200 184	8	0.766	41	47	92	84	84
* 90	32	16	723 200 142	6	1.436	46	75	111	97	97
* 90	63	16	723 200 145	5	1.348	46	66	111	97	97
* 110	32	16	723 200 135	3	2.796	55	101	128	116	116
* 110	90	16	723 200 137	3	2.677	55	71	128	116	116

23 91 01

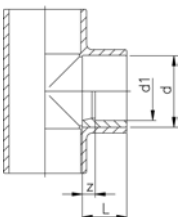
Socket, PVC-C metric



d [mm]	PN	Code	SP	kg	z [mm]	D [mm]	L [mm]
16	16	723 910 105	10	0.008	3	22	31
20	16	723 910 106	10	0.010	3	26	35
25	16	723 910 107	10	0.015	3	31	41
32	16	723 910 108	10	0.024	3	39	47
40	16	723 910 109	10	0.042	3	49	55
50	16	723 910 110	10	0.078	3	61	65
63	16	723 910 111	10	0.157	3	76	79
75	16	723 910 112	10	0.202	4	87	92
90	16	723 910 113	10	0.347	5	110	107
110	16	723 910 114	5	0.760	5	131	132
160	16	723 910 117	1	1.600	8	183	180
225	10	723 910 120	1	3.750	10	253	248

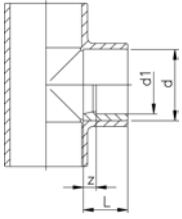
23 90 03

Reducing Bush, short pattern, PVC-C metric



d [mm]	d1 [mm]	PN	Code	SP	kg	z [mm]	L [mm]
20	16	16	723 900 334	10	0.004	2	16
25	20	16	723 900 337	10	0.004	3	19
32	20	16	723 900 342	10	0.015	6	22
32	25	16	723 900 341	10	0.009	4	22
40	20	16	723 900 348	10	0.023	10	26
40	25	16	723 900 347	10	0.024	7	26
40	32	16	723 900 346	10	0.017	4	26
50	20	16	723 900 355	10	0.036	15	31
50	25	16	723 900 354	10	0.038	12	31
50	32	16	723 900 353	10	0.051	9	31
50	40	16	723 900 352	10	0.031	5	31
63	32	16	723 900 360	10	0.088	16	38
63	40	16	723 900 359	10	0.067	12	38
63	50	16	723 900 358	10	0.065	6	38
75	50	16	723 900 365	10	0.105	13	44
75	63	16	723 900 364	10	0.083	6	44
90	50	16	723 900 372	10	0.196	20	51

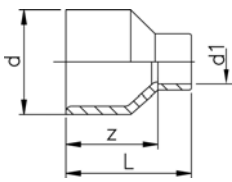
PVC-C



d [mm]	d1 [mm]	PN	Code	SP	kg	z [mm]	L [mm]
90	63	16	723 900 371	10	0.185	14	51
90	75	16	723 900 370	10	0.190	8	51
110	63	16	723 900 378	5	0.334	24	61
110	90	16	723 900 376	5	0.279	10	61
160	110	16	723 900 390	5	0.966	25	86
225	160	16	723 900 396	2	2.380	33	119

23 91 03

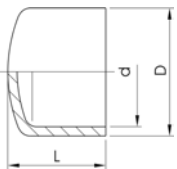
Reducing Bush, long pattern, PVC-C metric



d [mm]	d1 [mm]	PN	Code	SP	kg	z [mm]	L [mm]
32	20	16	723 910 342	10	0.023	30	46
40	25	16	723 910 347	10	0.036	36	55
50	25	16	723 910 354	10	0.059	44	63
63	32	16	723 910 360	5	0.110	54	76
75	40	16	723 910 366	5	0.165	62	88
90	63	16	723 910 371	5	0.313	74	112

23 96 01

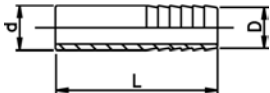
Cap, PVC-C metric



d [mm]	PN	Code	SP	kg	D [mm]	L [mm]
16	16	723 960 105	0	0.008	26	24
20	16	723 960 106	10	0.011	30	25
25	16	723 960 107	10	0.019	37	30
32	16	723 960 108	0	0.027	44	34
40	16	723 960 109	0	0.047	55	41
50	16	723 960 110	0	0.064	64	44
63	16	723 960 111	5	0.127	80	54
75	16	723 960 112	5	0.162	87	65
90	16	723 960 113	10	0.324	112	77
110	16	723 960 114	5	0.690	145	101
160	16	723 960 117	2	1.550	188	130

23 96 04

Hose Nozzle, PVC-C metric



Model:

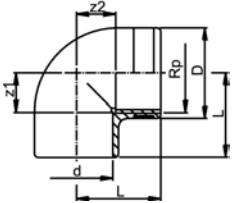
- With solvent cement spigot and parallel hose connection

d [mm]	PN	Code	SP	kg	D [mm]	L [mm]
16	16	723 960 405	10	0.009	16	57
20	16	723 960 406	10	0.016	20	73
25	16	723 960 407	10	0.023	25	79
32	16	723 960 408	10	0.038	30	89

PVC-C

Adaptor Fittings

23 10 02



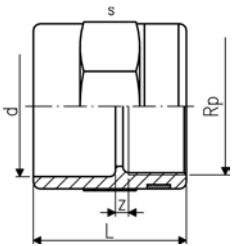
Elbow 90°, PVC-C metric - Rp

Model:

- With solvent cement socket metric and parallel female thread Rp
- Reinforcing ring stainless (A2)
- Connection to plastic or metal threads
- Do not use thread sealing pastes that are harmful to PVC-C
- Install with low mechanical stress and avoid large cyclic temperature changes

d [mm]	Rp [inch]	PN	Code	SP	kg	z1 [mm]	z2 [mm]	D [mm]	L [mm]
20	1/2	16	723 100 206	0	0.024	11	14	30	27
25	3/4	16	723 100 207	10	0.037	14	17	35	33
32	1	16	723 100 208	40	0.064	17	22	45	39
40	1 1/4	16	723 100 209	100	0.134	23	27	55	50
50	1 1/2	16	723 100 210	30	0.200	27	36	62	58
63	2	16	723 100 211	10	0.376	33	46	75	73

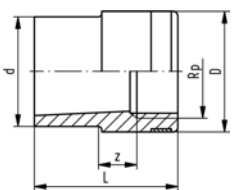
23 91 02



Socket, PVC-C metric - Rp

d [mm]	Rp [inch]	PN	Code	SP	kg	z [mm]	L [mm]	s [mm]
20	1/2	16	723 910 206	10	0.027	4	35	32
25	3/4	16	723 910 207	10	0.035	3	40	36
32	1	16	723 910 208	10	0.061	3	45	46
40	1 1/4	16	723 910 209	10	0.094	5	51	55
50	1 1/2	16	723 910 210	10	0.133	7	59	65
63	2	16	723 910 211	5	0.220	7	69	80

23 91 04



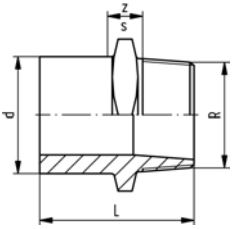
Reducing Bush, PVC-C metric - Rp

d [mm]	Rp [inch]	PN	Code	SP	kg	z [mm]	D [mm]	L [mm]	s [mm]
20	3/8	16	723 910 434	10	0.016	24	25	35	15
25	1/2	16	723 910 437	10	0.023	27	30	41	21
32	3/4	16	723 910 441	10	0.035	32	35	48	33
40	1	16	723 910 446	10	0.064	38	45	56	60
50	1 1/4	16	723 910 452	10	0.105	46	55	66	99
63	1 1/2	16	723 910 458	5	0.153	57	62	77	150

PVC-C

23 91 05

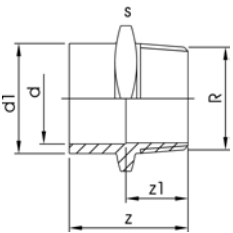
Adaptor Nipple, PVC-C metric - R



d [mm]	R [inch]	PN	Code	SP	kg	z [mm]	s [mm]
16	3/8	16	723 910 505	0	0.012	35	27

23 91 05

Adaptor Socket-Nipple, PVC-C metric - R



d [mm]	d1 [mm]	R [inch]	PN	Code	SP	kg	z [mm]	z1 [mm]	s [mm]
16	20	1/2	16	723 910 556	10	0.018	42	28	32
20	25	3/4	16	723 910 557	10	0.026	47	31	36
25	32	1	16	723 910 558	10	0.044	54	35	46
32	40	1 1/4	16	723 910 559	10	0.072	60	38	55
40	50	1 1/2	16	723 910 560	10	0.101	66	40	65
50	63	2	16	723 910 561	5	0.173	78	47	80

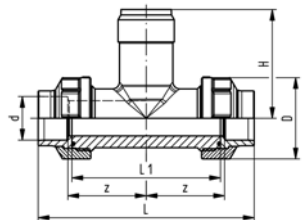
23 31 00

Installation Fitting Type 310, PVC-C for Socket Systems metric



Model:

- Threaded outlet 1 1/4" NPSM
- For Signet Paddlewheel Sensors Type -X0 (104 mm)
- Body and union nut PVDF
- Union end with solvent cement socket PVC-C



d [mm]	DN [mm]	PN	EPDM Code	FPM Code	kg
20	15	16	723 310 006	723 310 036	0.250
25	20	16	723 310 007	723 310 037	0.355
32	25	16	723 310 008	723 310 038	0.427
40	32	16	723 310 009	723 310 039	0.700
50	40	16	723 310 010	723 310 040	0.850
63	50	16	723 310 011	723 310 041	1.182

d [mm]	DN [mm]	D [mm]	z [mm]	L [mm]	L1 [mm]	H [mm]	Sensor Type
20	15	45	49	132	90	76	X0
25	20	55	53	148	100	78	X0
32	25	62	58	164	110	81	X0
40	32	75	58	172	110	85	X0
50	40	84	63	188	120	89	X0
63	50	101	68	212	130	95	X0

PVC-C

Unions

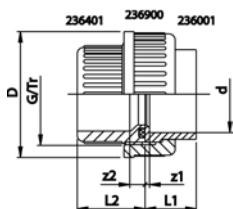
23 51 01

Solvent Cement Unions, PVC-C



Model:

- Union End: Solvent cement socket metric
- Union bush: Solvent cement socket metric
- Jointing face: With O-ring groove
- Gasket: O-Ring EPDM No. 48 41 00, FPM No. 49 41 00



d [mm]	PN	EPDM Code	FPM Code	SP	kg	z1 [mm]	z2 [mm]	D [mm]	L1 [mm]	L2 [mm]	G/Tr
16	16	723 510 105	723 510 130	0	0.027	3	8	35	19	24	3/4
20	16	723 510 106	723 510 131	0	0.044	3	9	43	21	26	1
25	16	723 510 107	723 510 132	0	0.072	3	9	53	24	29	1 1/4
32	16	723 510 108	723 510 133	0	0.098	3	9	60	27	33	1 1/2
40	16	723 510 109	723 510 134	0	0.167	3	10	74	32	39	2
50	16	723 510 110	723 510 135	0	0.098	3	10	83	33	46	2 1/4
63	16	723 510 111	723 510 136	0	0.400	3	10	103	40	58	2 3/4
75	10	723 510 112	723 510 137	2	0.670	3	18	135	47	62	Tr108x5
90	10	723 510 113	723 510 138	2	1.008	5	18	158	56	69	Tr128x5
110	10	723 510 114	723 510 139	1	1.553	5	11	188	66	72	Tr154x6

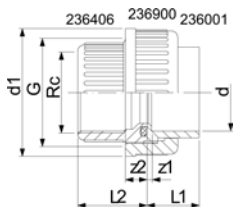
23 51 02

Adaptor Union, PVC-C metric - Rp



Model:

- Union End: Solvent cement socket metric
- Union Bush: Parallel female thread Rp
- Gasket: O-Ring EPDM No. 48 41 00, FPM No. 49 41 00
- Connection to plastic threads only
- Do not use thread sealing pastes that are harmful to PVC-C



d [mm]	Rp [inch]	PN	EPDM Code	FPM Code	SP	kg	z1 [mm]	z2 [mm]	D [mm]	L1 [mm]	L2 [mm]	G [inch]
16	3/8	16	723 510 205	723 510 230	0	0.022	3	13	35	17	24	3/4
20	1/2	16	723 510 206	723 510 231	0	0.040	3	13	43	19	26	1
25	3/4	16	723 510 207	723 510 232	0	0.065	3	14	51	22	29	1 1/4
32	1	16	723 510 208	723 510 233	0	0.103	3	15	58	25	32	1 1/2
40	1 1/4	16	723 510 209	723 510 234	0	0.174	3	19	74	29	38	2
50	1 1/2	16	723 510 210	723 510 235	0	0.239	3	26	83	34	45	2 1/4
63	2	16	723 510 211	723 510 236	0	0.435	3	33	100	41	56	2 3/4

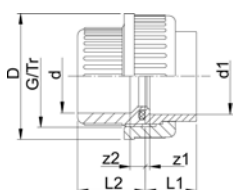
23 51 41

Adaptor Unions, PVC-C metric-ASTM



Model:

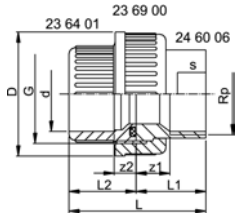
- Union End: solvent cement socket inch ASTM
- Union bush: Solvent cement socket metric
- Gasket: O-Ring EPDM No. 48 41 00, FPM No. 49 41 00



d [mm]	Inch	PN	EPDM Code	FPM Code	SP	kg	z1 [mm]	z2 [mm]	D [mm]	L1 [mm]	L2 [mm]	G [inch]
16	3/8	10	723 514 105	723 514 130	0	0.022	4	10	35	17	24	3/4
20	1/2	10	723 514 106	723 514 131	0	0.047	2	10	43	19	26	1
25	3/4	10	723 514 107	723 514 132	0	0.065	4	10	51	22	29	1 1/4
32	1	10	723 514 108	723 514 133	0	0.103	4	10	58	25	33	1 1/2
40	1 1/4	10	723 514 109	723 514 134	0	0.174	6	12	74	29	39	2
50	1 1/2	10	723 514 110	723 514 135	0	0.239	11	14	83	34	46	2 1/4
63	2	10	723 514 111	723 514 136	0	0.435	17	18	100	41	58	2 3/4

PVC-C

23 54 02



Adaptor Union, PVC-C / Stainless Steel metric - Rp

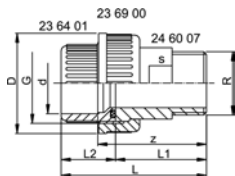
Model:

- Union End: Stainless Steel WN 1.4404 (316L), parallel female thread Rp
- Union Bush: Solvent cement socket PVC-C metric
- Union Nut: PVC-C
- Gasket: O-Ring EPDM No. 48 41 00, FPM No. 49 41 00

d [mm]	Rp [inch]	PN	EPDM Code	FPM Code	SP	kg
16	3/8	16	723 540 205	723 540 230	0	0.053
20	1/2	16	723 540 206	723 540 231	0	0.096
25	3/4	16	723 540 207	723 540 232	0	0.154
32	1	16	723 540 208	723 540 233	0	0.212
40	1 1/4	16	723 540 209	723 540 234	0	0.356
50	1 1/2	16	723 540 210	723 540 235	0	0.455
63	2	16	723 540 211	723 540 236	0	0.721

d [mm]	z1 [mm]	z2 [mm]	D [mm]	L [mm]	L1 [mm]	L2 [mm]	G [inch]	s [mm]
16	9	10	35	43	19	24	3/4	19
20	11	10	43	50	24	26	1	24
25	11	10	51	55	26	29	1 1/4	29
32	12	10	58	61	29	33	1 1/2	36
40	14	12	74	71	33	39	2	45
50	15	14	83	79	34	46	2 1/4	54
63	15	18	100	95	39	58	2 3/4	63

23 54 07



Adaptor Union, PVC-C / Stainless Steel metric - R

Model:

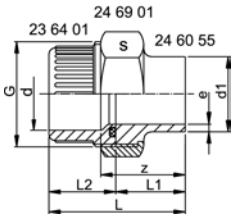
- Union End: Stainless Steel WN 1.4404 (316L), taper male thread R
- Union Bush: Solvent cement socket PVC-C metric
- Union Nut: PVC-C
- Gasket: O-Ring EPDM No. 48 41 00, FPM No. 49 41 00

d [mm]	R [inch]	PN	EPDM Code	FPM Code	SP	kg
16	3/8	16	723 540 705	723 540 730	0	0.073
20	1/2	16	723 540 706	723 540 731	0	0.126
25	3/4	16	723 540 707	723 540 732	0	0.174
32	1	16	723 540 708	723 540 733	0	0.262
40	1 1/4	16	723 540 709	723 540 734	0	0.476
50	1 1/2	16	723 540 710	723 540 735	0	0.535
63	2	16	723 540 711	723 540 736	0	0.931

d [mm]	z [mm]	D [mm]	L [mm]	L1 [mm]	L2 [mm]	G [inch]	s [mm]
16	40	35	54	30	24	3/4	19
20	44	43	60	34	26	1	24
25	46	51	65	36	29	1 1/4	32
32	50	58	72	40	33	1 1/2	37
40	58	74	84	46	39	2	48
50	62	83	93	48	46	2 1/4	54
63	73	100	111	55	58	2 3/4	69

PVC-C

23 54 55



Adaptor Union, PVC-C / Stainless Steel metric - Welding End

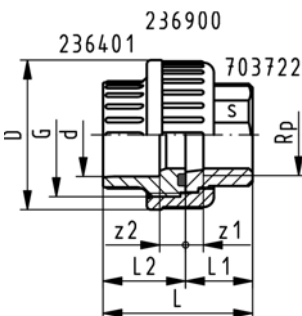
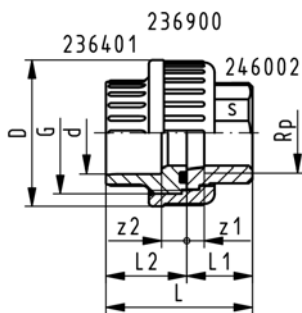
Model:

- Union End: Stainless Steel 1.4404 (316L) with welding end
- Union Bush: Solvent cement socket PVC-C metric
- Union Nut: Stainless Steel WN 1.4404 (316L)
- Gasket: O-Ring EPDM No. 48 41 00, FPM No. 49 41 00

d [mm]	d1 [mm]	PN	EPDM Code	FPM Code	SP	kg
16	17	16	723 545 505	723 545 530	0	0.101
20	21	16	723 545 506	723 545 531	0	0.176
25	27	16	723 545 507	723 545 532	0	0.204
32	34	16	723 545 508	723 545 533	0	0.313
40	42	16	723 545 509	723 545 534	0	0.493
50	48	16	723 545 510	723 545 535	0	0.566
63	60	16	723 545 511	723 545 536	0	0.902

d [mm]	z [mm]	L [mm]	L1 [mm]	L2 [mm]	e [mm]	G [inch]	s [mm]
16	28	42	18	24	1.6	3/4	32
20	32	48	22	26	2.0	1	41
25	33	52	23	29	2.0	1 1/4	46
32	36	58	26	33	2.0	1 1/2	55
40	38	64	26	39	2.0	2	68
50	42	73	28	46	2.0	2 1/4	74
63	50	88	32	58	2.6	2 3/4	88

23 53 03



Adaptor Union, PVC-C / malleable iron metric - Rp



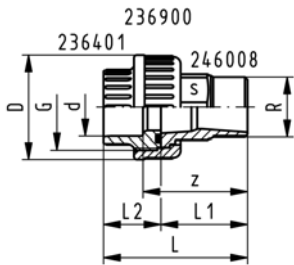
Model:

- Union Nut: PVC-C
- Union Bush: Solvent cement socket PVC-C metric
- Union End: malleable iron with parallel female thread Rp
- Gasket: O-Ring EPDM No. 48 41 00

d [mm]	Rp [inch]	Code	SP	kg	D [mm]	L [mm]	L1 [mm]	L2 [mm]	z1 [mm]	z2 [mm]	G [inch]	s [mm]
20	1/2	723 530 306	1	0.075	43	48	22	26	9	10	1	25
25	3/4	723 530 307	1	0.112	51	51	22	29	7	10	1 1/4	31
32	1	723 530 308	1	0.157	58	58	26	33	9	10	1 1/2	38
40	1 1/4	723 530 309	1	0.300	72	69	31	39	12	12	2	48
50	1 1/2	723 530 310	1	0.384	83	78	33	46	14	14	2 1/4	54
63	2	723 530 311	1	0.603	100	91	35	58	11	18	2 3/4	67

PVC-C

23 53 08



Adaptor Union, PVC-C / malleable iron metric - R

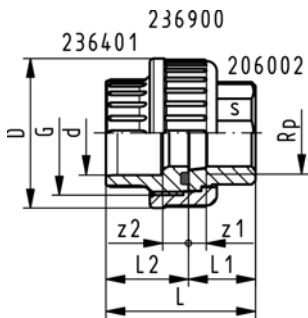


Model:

- Union Nut: PVC-C
- Union Bush: Solvent cement socket PVC-C metric
- Union End: Malleable iron with taper male thread R
- Gasket: O-Ring EPDM No. 48 41 00

d [mm]	R [inch]	Code	SP	kg	D [mm]	L [mm]	L1 [mm]	L2 [mm]	z [mm]	G [inch]	s [mm]
20	1/2	723 530 806	1	0.114	43	66	40	26	50	1	25
25	3/4	723 530 807	1	0.165	51	72	43	29	53	1 1/4	31
32	1	723 530 808	1	0.205	58	80	48	33	58	1 1/2	38
40	1 1/4	723 530 809	1	0.403	72	95	57	39	69	2	48
50	1 1/2	723 530 810	1	0.539	83	104	59	46	73	2 1/4	54
63	2	723 530 811	1	0.787	100	118	62	58	80	2 3/4	67

23 55 03



Adaptor Union, PVC-C / Brass metric - Rp

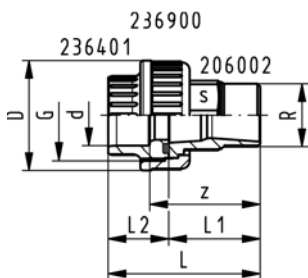


Model:

- Union Nut: PVC-C
- Union Bush: Solvent cement socket PVC-C metric
- Union End: Brass with parallel female thread Rp
- Gasket: O-Ring EPDM No. 48 41 00

d [mm]	Rp [inch]	Code	SP	kg	D [mm]	L [mm]	L1 [mm]	L2 [mm]	z1 [mm]	z2 [mm]	G [inch]	s [mm]
20	1/2	723 550 306	1	0.086	43	48	22	26	10	10	1	25
25	3/4	723 550 307	1	0.123	51	51	22	29	6	10	1 1/4	31
32	1	723 550 308	1	0.184	58	58	27	33	8	10	1 1/2	38
40	1 1/4	723 550 309	1	0.336	72	69	31	39	10	12	2	48
50	1 1/2	723 550 310	1	0.414	83	75	30	46	9	14	2 1/4	54
63	2	723 550 311	1	0.702	100	90	34	58	8	18	2 3/4	67

23 55 08



Adaptor Union, PVC-C / Brass metric - R



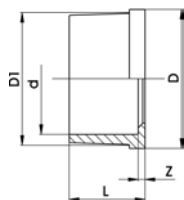
Model:

- Union Nut: PVC-C
- Union Bush: Solvent cement socket PVC-C metric
- Union End: Brass with taper male thread R
- Gasket: O-Ring EPDM No. 48 41 00

d [mm]	R [inch]	Code	SP	kg	D [mm]	L [mm]	L1 [mm]	L2 [mm]	z [mm]	G [inch]	s [mm]
20	1/2	723 550 806	1	0.125	43	63	37	26	47	1	25
25	3/4	723 550 807	1	0.178	51	69	40	29	50	1 1/4	31
32	1	723 550 808	1	0.270	58	75	43	33	53	1 1/2	38
40	1 1/4	723 550 809	1	0.468	72	86	48	39	60	2	48
50	1 1/2	723 550 810	1	0.650	83	95	50	46	64	2 1/4	54
63	2	723 550 811	1	0.972	100	113	57	58	75	2 3/4	67

PVC-C

23 60 01



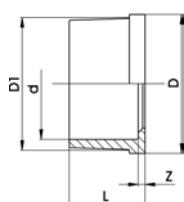
Union End, PVC-C

Model:

- For union 23 51 01
- With solvent cement socket metric

d [mm]	PN	Code	SP	kg	z [mm]	D [mm]	D1 [mm]	L [mm]
16	16	723 600 105	0	0.006	3	24	22	19
20	16	723 600 106	0	0.010	4	30	28	21
25	16	723 600 107	0	0.018	3	39	36	24
32	16	723 600 108	0	0.023	3	44	41	27
40	16	723 600 109	0	0.062	3	57	53	31
50	16	723 600 110	380	0.064	3	63	59	34
63	16	723 600 111	0	0.120	3	78	74	41
75	10	723 600 162	0	0.157	3	101	91	47
90	10	723 600 163	0	0.260	5	121	108	56
110	10	723 600 164	0	0.418	5	146	131	66

23 60 20



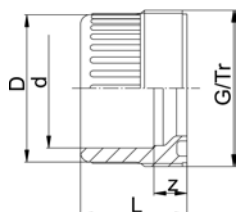
Union Ends, PVC-C ASTM

Model:

- For union 23 51 01
- With solvent cement socket ASTM

Inch	PN	Code	SP	kg	z [mm]	D [mm]	D1 [mm]	L [mm]
3/8	16	723 602 005	0	0.007	3	24	22	22
1/2	16	723 602 006	0	0.010	3	30	28	25
3/4	16	723 602 007	0	0.017	3	39	36	28
1	16	723 602 008	0	0.024	3	45	42	32
1 1/4	16	723 602 009	0	0.040	3	57	53	35
1 1/2	16	723 602 010	0	0.057	3	63	59	38
2	16	723 602 011	0	0.096	3	78	74	41

23 64 01



Union Bush, PVC-C

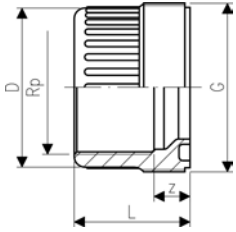
Model:

- Solvent cement socket metric
- For union 23 51 01
- Jointing face: With O-Ring groove
- Gasket: O-Ring EPDM No. 48 41 00, FPM No. 49 41 00

d [mm]	PN	Code	SP	kg	z [mm]	D [mm]	L [mm]	G/Tr
16	16	723 640 105	0	0.009	11	24	25	3/4
20	16	723 640 106	0	0.014	12	28	26	1
25	16	723 640 107	0	0.024	11	33	29	1 1/4
32	16	723 640 108	0	0.038	10	41	33	1 1/2
40	16	723 640 109	0	0.066	12	50	39	2
50	16	723 640 110	0	0.083	14	62	46	2 1/4
63	16	723 640 111	0	0.158	19	77	58	2 3/4
75	10	723 640 112	0	0.230	18	93	62	Tr108x5
90	10	723 640 113	0	0.345	18	110	69	Tr128x5
110	10	723 640 114	0	0.480	11	133	72	Tr154x6

PVC-C

23 64 06



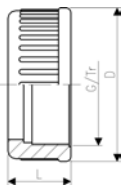
Union Bushes Rp, PVC-C

Model:

- For union 23 51 01
- With parallel female thread Rp
- Jointing face: With O-Ring groove
- Gasket: O-Ring EPDM No. 48 41 00, FPM No. 49 41 00
- Connection to plastic threads only
- Do not use thread sealing pastes that are harmful to PVC-C

Rp [inch]	PN	Code	SP	kg	z [mm]	D [mm]	L [mm]	G [inch]
3/8	10	723 640 605	0	0.012	13	24	24	3/4
1/2	10	723 640 606	0	0.015	13	29	26	1
3/4	10	723 640 607	0	0.024	14	34	29	1 1/4
1	10	723 640 608	10	0.034	15	42	32	1 1/2
1 1/4	10	723 640 609	10	0.060	19	53	38	2
1 1/2	10	723 640 610	0	0.092	26	63	45	2 1/4
2	10	723 640 611	0	0.114	33	78	56	2 3/4

23 69 00



Union Nut, PVC-C

Model:

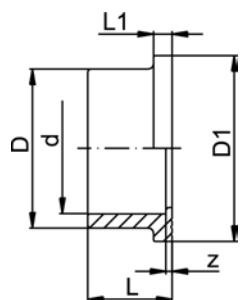
- For union 23 51 01

d [mm]	PN	Code	SP	kg	D [mm]	L [mm]	G/Tr
16	16	723 690 005	0	0.012	35	21	3/4
20	16	723 690 006	0	0.020	43	23	1
25	16	723 690 007	0	0.022	51	24	1 1/4
32	16	723 690 008	0	0.032	58	26	1 1/2
40	16	723 690 009	0	0.053	72	29	2
50	16	723 690 010	0	0.100	83	34	2 1/4
63	16	723 690 011	0	0.141	100	38	2 3/4
75	10	723 690 012	0	0.271	135	40	Tr108x5
90	10	723 690 013	0	0.383	158	43	Tr128x5
110	10	723 690 014	0	0.609	188	48	Tr154x6

PVC-C

Flange Adaptors

23 79 01



Flange Adaptor, PVC-C

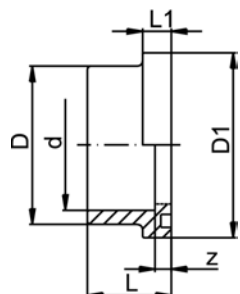
Combined Jointing face flat and serrated, metric

Model:

- Gasket: Profile flange gasket EPDM No. 48 44 07, FPM No. 49 44 07
- Gasket: Flat gasket EPDM No. 48 40 03
- Flange: No. 27 70 04, 27 70 02, 21 70 00

d [mm]	DN [mm]	PN	Code	SP	kg	z [mm]	D [mm]	D1 [mm]	L [mm]	L1 [mm]
20	15	16	723 790 106	10	0.012	3	27	34	21	6
25	20	16	723 790 107	0	0.018	3	33	41	24	7
32	25	16	723 790 108	10	0.026	3	41	50	27	7
40	32	16	723 790 109	0	0.044	3	50	61	30	8
50	40	16	723 790 110	0	0.060	3	61	73	34	8
63	50	16	723 790 111	10	0.106	3	76	90	41	9
75	65	16	723 790 112	10	0.167	3	91	106	47	10
90	80	16	723 790 113	10	0.271	5	108	125	56	11
110	100	16	723 790 114	10	0.432	5	131	150	66	12
160	150	16	723 790 117	2	1.200	5	188	213	91	16
200	200	10	723 790 119	2	1.630	6	224	250	112	24
225	200	10	723 790 120	2	1.900	6	248	274	125	25

23 81 01



Flange Adaptor, PVC-C

with O-ring groove, metric

Model:

- Counterpart: Flange Adaptor No. 23 79 01
- Gasket: O-ring EPDM No. 48 41 01, FPM No. 49 41 01
- Flange: No. 27 70 04, 27 70 02, 21 70 00

d [mm]	PN	Code	SP	kg	z [mm]	D [mm]	D1 [mm]	L [mm]	L1 [mm]
160	16	723 810 117	2	1.300	11	188	213	97	22
225	10	723 810 120	2	2.050	12	248	274	131	31

PVC-C

Ball valves 2-way

Ball valve type 546 PVC-C With solvent cement sockets metric



DN10/15 - 50

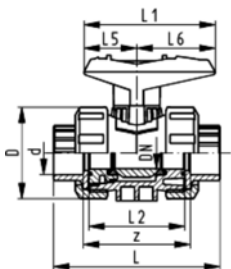


Model:

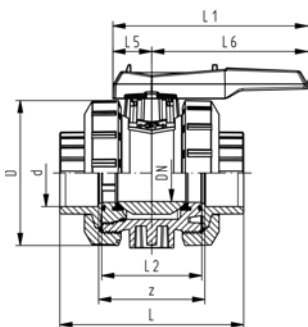
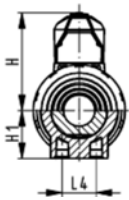
- For easy installation and removal
- z-dimension, valve end and union nut are **not compatible** with type 346 (DN10/15-50) resp. type 370 (DN65-100)
- Ball seals PTFE
- Without mounting inserts

Option:

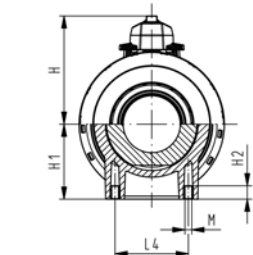
- Individual configuration of the valve (see form)
- Multifunctional module with integrated limit switches
- Pneumatic or electric actuators from +GF+



d [mm]	DN [mm]	PN	kv-value ($\Delta p=1$ bar) [l/min]	EPDM Code	FPM Code	kg
16	10	16	71	163 546 001	163 546 011	0.160
20	15	16	185	163 546 002	163 546 012	0.160
25	20	16	350	163 546 003	163 546 013	0.245
32	25	16	700	163 546 004	163 546 014	0.365
40	32	16	1000	163 546 005	163 546 015	0.660
50	40	16	1600	163 546 006	163 546 016	0.890
63	50	16	3100	163 546 007	163 546 017	1.650
75	65	16	5000	163 546 008	163 546 018	5.300
90	80	16	7000	163 546 009	163 546 019	8.000
110	100	16	11000	163 546 010	163 546 020	12.700



d [mm]	D [mm]	H [mm]	H1 [mm]	L [mm]	L1 [mm]	L2 [mm]	L4 [mm]	L5 [mm]	L6 [mm]	z [mm]
16	50	57	27	92	77	56	25	32	45	64
20	50	57	27	95	77	56	25	32	45	64
25	58	67	30	110	97	65	25	39	58	72
32	68	73	36	123	97	71	25	39	58	79
40	84	90	44	146	128	85	45	54	74	94
50	97	97	51	157	128	89	45	54	74	95
63	124	116	64	183	152	101	45	66	87	107
75	166	149	85	233	270	136	70	64	206	144
90	200	161	105	254	270	141	70	64	206	151
110	238	178	123	301	320	164	120	64	256	174

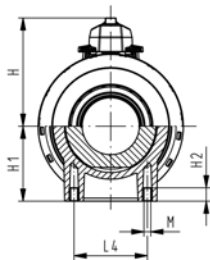
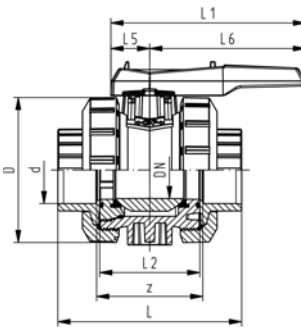
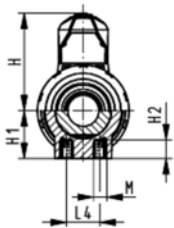
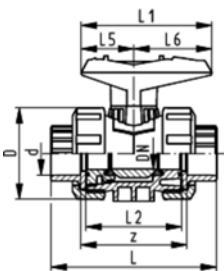


PVC-C

Ball valve type 546 PVC-C With mounting inserts With solvent cement sockets metric



DN10/15 - 50



Model:

- For easy installation and removal
- z-dimension, valve end and union nut are **not compatible** with type 346 (DN10/15-50) resp. type 370 (DN65-100)
- Ball seals PTFE
- Integrated stainless steel mounting inserts

Option:

- Individual configuration of the valve (see form)
- Multifunctional module with integrated limit switches
- Pneumatic or electric actuators from +GF+

d [mm]	DN [mm]	PN	kv-value (Δp=1 bar) [l/min]	EPDM Code	FPM Code	kg
16	10	16	71	163 546 061	163 546 071	0.160
20	15	16	185	163 546 062	163 546 072	0.160
25	20	16	350	163 546 063	163 546 073	0.245
32	25	16	700	163 546 064	163 546 074	0.365
40	32	16	1000	163 546 065	163 546 075	0.660
50	40	16	1600	163 546 066	163 546 076	0.890
63	50	16	3100	163 546 067	163 546 077	1.650
75	65	16	5000	163 546 068	163 546 078	5.300
90	80	16	7000	163 546 069	163 546 079	8.000
110	100	16	11000	163 546 070	163 546 080	12.700

d [mm]	D [mm]	H [mm]	H1 [mm]	H2 [mm]	L [mm]	L1 [mm]	L2 [mm]	L4 [mm]	L5 [mm]	L6 [mm]	M	z [mm]
16	50	57	27	12	92	77	56	25	32	45	M6	64
20	50	57	27	12	95	77	56	25	32	45	M6	64
25	58	67	30	12	110	97	65	25	39	58	M6	72
32	68	73	36	12	123	97	71	25	39	58	M6	79
40	84	90	44	15	146	128	85	45	54	74	M8	94
50	97	97	51	15	157	128	89	45	54	74	M8	95
63	124	116	64	15	183	152	101	45	66	87	M8	107
75	166	149	85	15	233	270	136	70	64	206	M8	144
90	200	161	105	15	254	270	141	70	64	206	M8	151
110	238	178	123	22	301	320	164	120	64	256	M12	174

PVC-C

Ball valve type 546 PVC-C With solvent cement spigots metric



DN10/15 - 50

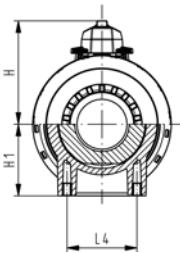
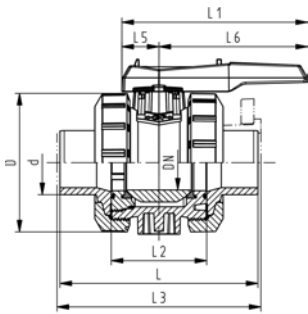
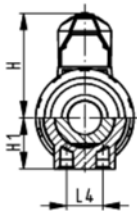
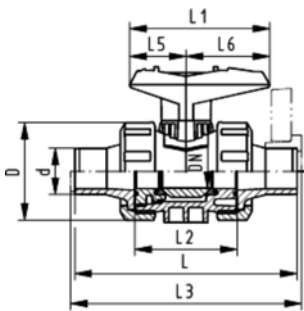


Model:

- For easy installation and removal
- z-dimension, valve end and union nut are **not compatible** with type 346 (DN10/15-50) resp. type 370 (DN65-100)
- Ball seals PTFE
- Without mounting inserts

Option:

- Individual configuration of the valve (see form)
- Multifunctional module with integrated limit switches
- Pneumatic or electric actuators from +GF+



d [mm]	DN [mm]	PN	kv-value (Δp=1 bar) [l/min]	EPDM Code	FPM Code	kg
16	10	16	71	163 546 041	163 546 051	0.160
20	15	16	185	163 546 042	163 546 052	0.160
25	20	16	350	163 546 043	163 546 053	0.245
32	25	16	700	163 546 044	163 546 054	0.365
40	32	16	1000	163 546 045	163 546 055	0.660
50	40	16	1600	163 546 046	163 546 056	0.890
63	50	16	3100	163 546 047	163 546 057	1.650
75	65	16	5000	163 546 048	163 546 058	5.500
90	80	16	7000	163 546 049	163 546 059	8.200
110	100	16	11000	163 546 050	163 546 060	12.900

d [mm]	D [mm]	H [mm]	H1 [mm]	L [mm]	L1 [mm]	L2 [mm]	L3 [mm]	L4 [mm]	L5 [mm]	L6 [mm]
16	50	57	27	114	77	56		25	32	45
20	50	57	27	124	77	56	130	25	32	45
25	58	67	30	144	97	65	150	25	39	58
32	68	73	36	154	97	71	160	25	39	58
40	84	90	44	174	128	85	180	45	54	74
50	97	97	51	194	128	89	200	45	54	74
63	124	116	64	224	152	101	230	45	66	87
75	166	149	85	284	270	136	290	70	64	206
90	200	161	105	300	270	141	310	70	64	206
110	238	178	123	340	320	164	350	120	64	256

PVC-C

Ball valve type 546 PVC-C With mounting inserts With solvent cement spigots metric



DN10/15 - 50

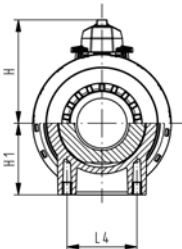
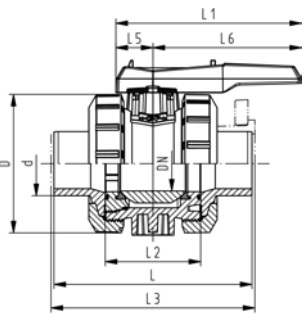
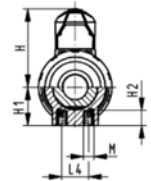
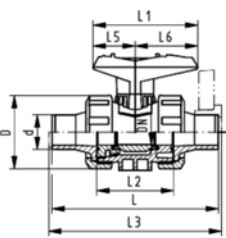


Model:

- For easy installation and removal
- z-dimension, valve end and union nut are **not compatible** with type 346 (DN10/15-50) resp. type 370 (DN65-100)
- Ball seals PTFE
- Integrated stainless steel mounting inserts

Option:

- Individual configuration of the valve (see form)
- Multifunctional module with integrated limit switches
- Pneumatic or electric actuators from +GF+



d [mm]	DN [mm]	PN	kv-value (Δp=1 bar) [l/min]	EPDM Code	FPM Code	kg
16	10	16	71	163 546 381	163 546 391	0.162
20	15	16	185	163 546 382	163 546 392	0.162
25	20	16	350	163 546 383	163 546 393	0.247
32	25	16	700	163 546 384	163 546 394	0.367
40	32	16	1000	163 546 385	163 546 395	0.665
50	40	16	1600	163 546 386	163 546 396	0.895
63	50	16	3100	163 546 387	163 546 397	1.655
75	65	16	5000	163 546 388	163 546 398	5.500
90	80	16	7000	163 546 389	163 546 399	8.200
110	100	16	11000	163 546 390	163 546 400	12.900

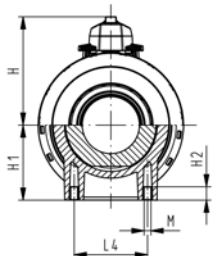
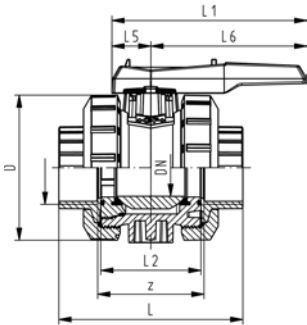
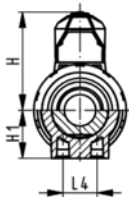
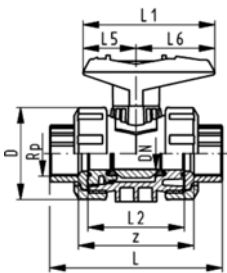
d [mm]	D [mm]	H [mm]	H1 [mm]	H2 [mm]	L [mm]	L1 [mm]	L2 [mm]	L3 [mm]	L4 [mm]	L5 [mm]	L6 [mm]	M
16	50	57	27	12	114	77	56		25	32	45	M6
20	50	57	27	12	124	77	56	130	25	32	45	M6
25	58	67	30	12	144	97	65	150	25	39	58	M6
32	68	73	36	12	154	97	71	160	25	39	58	M6
40	84	90	44	15	174	128	85	180	45	54	74	M8
50	97	97	51	15	194	128	89	200	45	54	74	M8
63	124	116	64	15	224	152	101	230	45	66	87	M8
75	166	149	85	15	284	270	136	290	70	64	206	M8
90	200	161	105	15	300	270	141	310	70	64	206	M8
110	238	178	123	22	340	320	164	350	120	64	256	M12

PVC-C

Ball valve type 546 PVC-C With threaded sockets Rp



DN10/15 - 50



Model:

- For easy installation and removal
- z-dimension, valve end and union nut are **not compatible** with type 346 (DN10/15-50) resp. type 370 (DN65-100)
- Ball seals PTFE
- Without mounting inserts

Option:

- Individual configuration of the valve (see form)
- Multifunctional module with integrated limit switches
- Pneumatic or electric actuators from +GF+

Rp [inch]	DN [mm]	PN	kv-value ($\Delta p=1$ bar) [l/min]	EPDM Code	FPM Code	kg
3/8	10	10	71	163 546 021	163 546 031	0.160
1/2	15	10	185	163 546 022	163 546 032	0.160
3/4	20	10	350	163 546 023	163 546 033	0.245
1	25	10	700	163 546 024	163 546 034	0.365
1 1/4	32	10	1000	163 546 025	163 546 035	0.660
1 1/2	40	10	1600	163 546 026	163 546 036	0.890
2	50	10	3100	163 546 027	163 546 037	1.650
2 1/2	65	10	5000	163 546 028	163 546 038	5.400
3	80	10	7000	163 546 029	163 546 039	8.100
4	100	10	11000	163 546 030	163 546 040	12.700

Rp [inch]	D [mm]	H [mm]	H1 [mm]	L [mm]	L1 [mm]	L2 [mm]	L4 [mm]	L5 [mm]	L6 [mm]	z [mm]
3/8	50	57	27	95	77	56	25	32	45	69
1/2	50	57	27	100	77	56	25	32	45	67
3/4	58	67	30	114	97	65	25	39	58	78
1	68	73	36	127	97	71	25	39	58	85
1 1/4	84	90	44	146	128	85	45	54	74	100
1 1/2	97	97	51	152	128	89	45	54	74	106
2	124	116	64	177	152	101	45	66	87	121
2 1/2	166	149	85	233	270	136	70	64	206	144
3	200	161	105	254	270	141	70	64	206	151
4	238	178	123	301	320	164	120	64	256	174

PVC-C

Ball valve type 546 PVC-C With mounting inserts With threaded sockets Rp



DN10/15 - 50

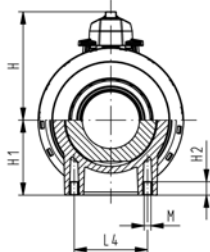
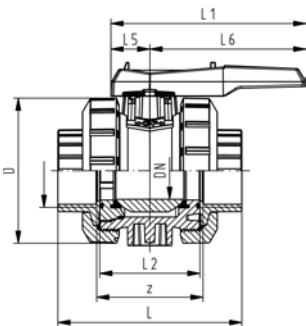
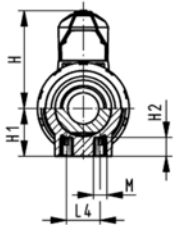
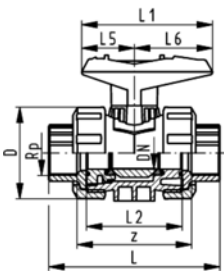


Model:

- For easy installation and removal
- z-dimension, valve end and union nut are **not compatible** with type 346 (DN10/15-50) resp. type 370 (DN65-100)
- Ball seals PTFE
- Integrated stainless steel mounting inserts

Option:

- Individual configuration of the valve (see form)
- Multifunctional module with integrated limit switches
- Pneumatic or electric actuators from +GF+



Rp [inch]	DN [mm]	PN	kv-value ($\Delta p=1$ bar) [l/min]	EPDM Code	FPM Code	kg
3/8	10	10	71	163 546 401	163 546 411	0.162
1/2	15	10	185	163 546 402	163 546 412	0.162
3/4	20	10	350	163 546 403	163 546 413	0.247
1	25	10	700	163 546 404	163 546 414	0.367
1 1/4	32	10	1000	163 546 405	163 546 415	0.665
1 1/2	40	10	1600	163 546 406	163 546 416	0.895
2	50	10	3100	163 546 407	163 546 417	1.655
2 1/2	65	10	5000	163 546 408	163 546 418	5.400
3	80	10	7000	163 546 409	163 546 419	8.100
4	100	10	11000	163 546 410	163 546 420	12.700

Rp [inch]	D [mm]	H [mm]	H1 [mm]	H2 [mm]	L [mm]	L1 [mm]	L2 [mm]	L4 [mm]	L5 [mm]	L6 [mm]	M	z [mm]
3/8	50	57	27	12	95	77	56	25	32	45	M6	69
1/2	50	57	27	12	100	77	56	25	32	45	M6	67
3/4	58	67	30	12	114	97	65	25	39	58	M6	78
1	68	73	36	12	127	97	71	25	39	58	M6	85
1 1/4	84	90	44	12	146	128	85	45	54	74	M8	100
1 1/2	97	97	51	15	152	128	89	45	54	74	M8	106
2	124	116	64	15	177	152	101	45	66	87	M8	121
2 1/2	166	149	85	15	233	270	136	70	64	206	M8	144
3	200	161	105	15	254	270	141	70	64	206	M8	151
4	238	178	123	22	301	320	164	120	64	256	M12	174

PVC-C



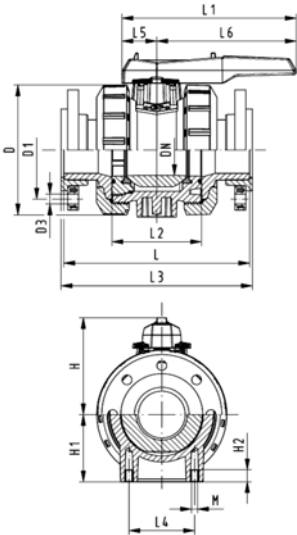
Ball valve type 546 PVC-C With mounting inserts With backing flanges PP-st metric

Model:

- For easy installation and removal
- z-dimension, valve end and union nut are **not compatible** with type 346 (DN10/15-50) resp. type 370 (DN65-100)
- Ball seals PTFE
- Integrated stainless steel mounting inserts
- Overall length according to EN 558
- Connecting dimension: ISO 7005, EN 1092, BS 4504, DIN 2501

Option:

- Individual configuration of the valve (see form)
- Multifunctional module with integrated limit switches
- Pneumatic or electric actuators from +GF+



d [mm]	DN [mm]	PN	kv-value ($\Delta p=1$ bar) [l/min]	EPDM Code	FPM Code	kg
75	65	16	5000	163 546 108	163 546 118	6.000
90	80	16	7000	163 546 109	163 546 119	9.100
110	100	16	11000	163 546 110	163 546 120	14.200

d [mm]	D [mm]	D1 [mm]	D3 [mm]	L [mm]	L1 [mm]	L2 [mm]	L3 [mm]	L4 [mm]	L5 [mm]	L6 [mm]	H [mm]	H1 [mm]	M
75	166	145	18	284	270	136	290	70	64	206	149	85	8
90	200	160	18	300	270	141	310	70	64	206	161	105	8
110	238	180	18	340	320	164	350	120	64	256	178	123	12

PVC-C

Ball valve type 546 PVC-C With mounting inserts With solvent cement sockets Inch ASTM Including 2 threaded union ends NPT



DN10/15 - 50

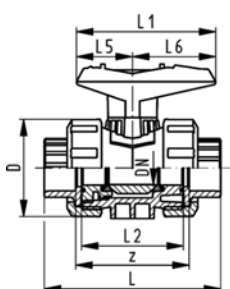


Model:

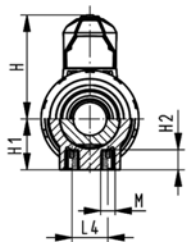
- For easy installation and removal
- z-dimension, valve end and union nut are **not compatible** with type 346 (DN10/15-50) resp. type 370 (DN65-100)
- Ball seals PTFE
- Integrated stainless steel mounting inserts
- Threaded valve ends are only enclosed for DN10/15-50

Option:

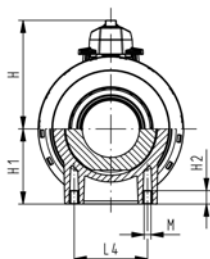
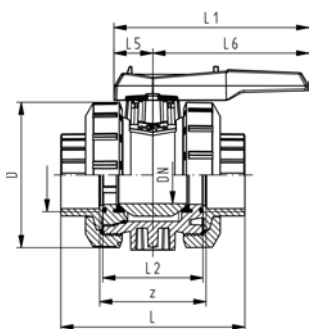
- Individual configuration of the valve (see form)
- Multifunctional module with integrated limit switches
- Pneumatic or electric actuators from +GF+



Inch	DN [mm]	PN	kv-value (Δp=1 bar) [l/min]	EPDM Code	FPM Code	kg
3/8	10	16	71	163 546 341	163 546 351	0.194
1/2	15	16	185	163 546 342	163 546 352	0.204
3/4	20	16	350	163 546 343	163 546 353	0.304
1	25	16	700	163 546 344	163 546 354	0.464
1 1/4	32	16	1000	163 546 345	163 546 355	0.810
1 1/2	40	16	1600	163 546 346	163 546 356	1.105
2	50	16	3100	163 546 347	163 546 357	2.005



Inch	D [mm]	H [mm]	H1 [mm]	L [mm]	L1 [mm]	L2 [mm]	L4 [mm]	L5 [mm]	L6 [mm]	M	z [mm]
3/8	50	57	27	105	77	56	25	32	45	M6	67
1/2	50	57	27	105	77	56	25	32	45	M6	61
3/4	58	67	30	121	97	65	25	39	58	M6	70
1	68	73	36	133	97	71	25	39	58	M6	76
1 1/4	84	90	44	154	128	85	45	54	74	M8	90
1 1/2	97	97	51	164	128	89	45	54	74	M8	94
2	124	116	64	183	152	101	45	66	87	M8	107



PVC-C



DN10/15 - 50



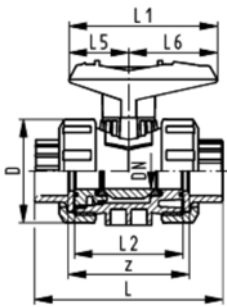
Ball valve type 546 PVC-C With solvent cement sockets Inch ASTM Including 2 threaded union ends NPT

Model:

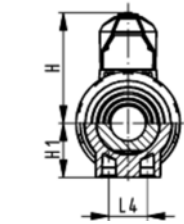
- For easy installation and removal
- z-dimension, valve end and union nut are **not compatible** with type 346 (DN10/15-50) resp. type 370 (DN65-100)
- Ball seals PTFE
- Without mounting inserts
- Threaded valve ends are only enclosed for DN10/15-50

Option:

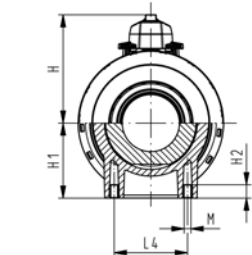
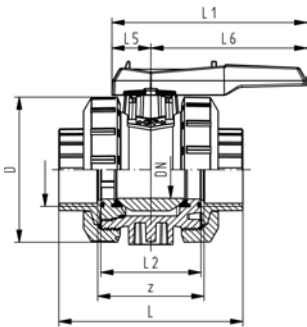
- Individual configuration of the valve (see form)
- Multifunctional module with integrated limit switches
- Pneumatic or electric actuators from +GF+



Inch	DN [mm]	PN	kv-value ($\Delta p=1$ bar) [l/min]	EPDM Code	FPM Code	kg
3/8	10	16	71	163 546 301	163 546 311	0.190
1/2	15	16	185	163 546 302	163 546 312	0.200
3/4	20	16	350	163 546 303	163 546 313	0.300
1	25	16	700	163 546 304	163 546 314	0.460
1 1/4	32	16	1000	163 546 305	163 546 315	0.800
1 1/2	40	16	1600	163 546 306	163 546 316	1.095
2	50	16	3100	163 546 307	163 546 317	1.995
2 1/2	65	16	5000	163 546 308	163 546 318	5.400
3	80	16	7000	163 546 309	163 546 319	8.100
4	100	16	11000	163 546 310	163 546 320	12.800



Inch	D [mm]	H [mm]	H1 [mm]	L [mm]	L1 [mm]	L2 [mm]	L4 [mm]	L5 [mm]	L6 [mm]	z [mm]
3/8	50	57	27	105	77	56	25	32	45	67
1/2	50	57	27	105	77	56	25	32	45	61
3/4	58	67	30	121	97	65	25	39	58	70
1	68	73	36	133	97	71	25	39	58	76
1 1/4	84	90	44	154	128	85	45	54	74	90
1 1/2	97	97	51	164	128	89	45	54	74	94
2	124	116	64	183	152	101	45	66	87	107
2 1/2	166	149	85	233	270	136	70	64	206	144
3	200	161	105	254	270	141	70	64	206	151
4	238	178	123	301	320	164	120	64	256	174



PVC-C



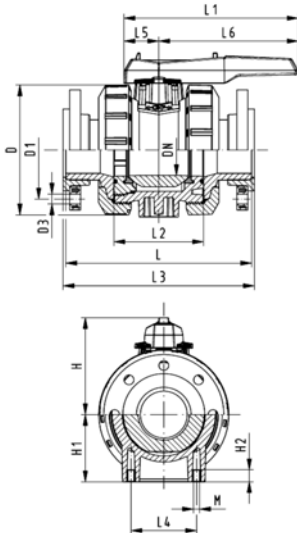
Ball valve type 546 PVC-C With mounting inserts With backing flanges PP-st Inch ANSI

Model:

- For easy installation and removal
- z-dimension, valve end and union nut are **not compatible** with type 346 (DN10/15-50) resp. type 370 (DN65-100)
- Ball seals PTFE
- Integrated stainless steel mounting inserts
- Overall length according to EN 558
- Connecting dimension ANSI/ASME B 16.5 / ASTM D 4024

Option:

- Individual configuration of the valve (see form)
- Multifunctional module with integrated limit switches
- Pneumatic or electric actuators from +GF+



Inch	DN [mm]	PN	kv-value ($\Delta p=1$ bar) [l/min]	EPDM Code	FPM Code	kg	
2 1/2	65	16	5000	163 546 168	163 546 178	6.000	
3	80	16	7000	163 546 169	163 546 179	9.100	
4	100	16	11000	163 546 170	163 546 180	14.200	

Inch	D [mm]	D1 [mm]	D3 [mm]	L [mm]	L1 [mm]	L2 [mm]	L3 [mm]	L4 [mm]	L5 [mm]	L6 [mm]	H [mm]	H1 [mm]	M	
2 1/2	166	140	19	284	270	136	290	70	64	206	149	85	8	
3	200	152	19	300	270	141	310	70	64	206	161	105	8	
4	238	191	19	340	320	164	350	120	64	256	178	123	12	

PVC-C



DN10/15 - 50



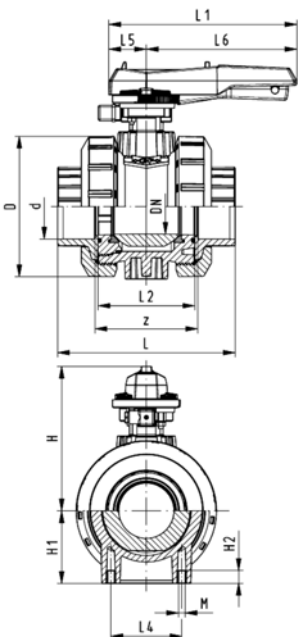
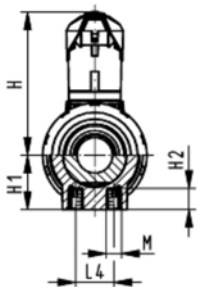
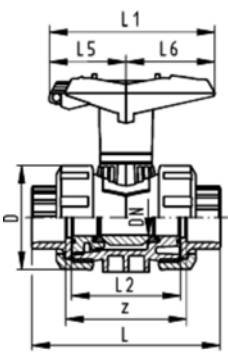
Ball valve type 546 PVC-C With lockable handle With solvent cement sockets metric

Model:

- For easy installation and removal
- z-dimension, valve end and union nut are **not compatible** with type 346 (DN10/15-50) resp. type 370 (DN65-100)
- Ball seals PTFE
- Integrated stainless steel mounting inserts
- Lockable hand lever with ratchet settings

Option:

- Individual configuration of the valve (see form)
- Multifunctional module with integrated limit switches
- Pneumatic or electric actuators from +GF+



d [mm]	DN [mm]	PN	kv-value (Δp=1 bar) [l/min]	EPDM Code	FPM Code	kg
16	10	16	71	163 546 081	163 546 091	0.175
20	15	16	185	163 546 082	163 546 092	0.175
25	20	16	350	163 546 083	163 546 093	0.270
32	25	16	700	163 546 084	163 546 094	0.390
40	32	16	1000	163 546 085	163 546 095	0.700
50	40	16	1600	163 546 086	163 546 096	0.930
63	50	16	3100	163 546 087	163 546 097	1.695
75	65	16	5000	163 546 088	163 546 098	0.001
90	80	16	7000	163 546 089	163 546 099	0.001
110	100	16	11000	163 546 090	163 546 100	0.001

d [mm]	D [mm]	H [mm]	H1 [mm]	H2 [mm]	L [mm]	L1 [mm]	L2 [mm]	L4 [mm]	L5 [mm]	L6 [mm]	M	z [mm]
16	50	79	27	12	92	87	56	25	42	45	M6	64
20	50	79	27	12	95	87	56	25	42	45	M6	64
25	58	88	30	12	110	108	65	25	50	58	M6	72
32	68	94	36	12	123	108	71	25	50	58	M6	79
40	84	113	44	15	146	140	85	45	66	75	M8	94
50	97	119	51	15	157	140	89	45	66	75	M8	95
63	124	141	64	15	183	165	101	45	78	87	M8	107
75	166	224	85	15	233	270	136	70	64	206	M8	144
90	200	235	105	15	254	270	141	70	64	206	M8	151
110	238	245	123	22	301	320	164	120	64	256	M12	174

PVC-C

Ball valve type 546 PVC-C With lockable handle With solvent cement sockets Inch ASTM Including 2 threaded union ends NPT

Model:

- For easy installation and removal
- z-dimension, valve end and union nut are **not compatible** with type 346 (DN10/15-50) resp. type 370 (DN65-100)
- Ball seals PTFE
- Integrated stainless steel mounting inserts
- Lockable hand lever with ratchet settings
- Threaded valve ends are only enclosed for DN10/15-50

Option:

- Individual configuration of the valve (see form)
- Multifunctional module with integrated limit switches
- Pneumatic or electric actuators from +GF+

Inch	DN [mm]	PN	kv-value ($\Delta p=1$ bar) [l/min]	EPDM Code	FPM Code	kg						
3/8	10	16	71	163 546 361	163 546 371	0.205						
1/2	15	16	185	163 546 362	163 546 372	0.215						
3/4	20	16	350	163 546 363	163 546 373	0.325						
1	25	16	700	163 546 364	163 546 374	0.485						
1 1/4	32	16	1000	163 546 365	163 546 375	0.840						
1 1/2	40	16	1600	163 546 366	163 546 376	1.135						
2	50	16	3100	163 546 367	163 546 377	2.035						
2 1/2	65	16	5000	163 546 368	163 546 378	5.800						
3	80	16	7000	163 546 369	163 546 379	8.500						
4	100	16	11000	163 546 370	163 546 380	13.100						

Inch	D [mm]	H [mm]	H1 [mm]	H2 [mm]	L [mm]	L1 [mm]	L2 [mm]	L4 [mm]	L5 [mm]	L6 [mm]	M	z [mm]		
3/8	50	79	27	12	105	87	56	25	42	45	M6	67		
1/2	50	79	27	12	105	87	56	25	42	45	M6	61		
3/4	58	88	30	12	121	108	65	25	50	58	M6	70		
1	68	94	36	12	133	108	71	25	50	58	M6	76		
1 1/4	84	113	44	15	154	140	85	45	66	75	M8	90		
1 1/2	97	119	51	15	164	140	89	45	66	75	M8	94		
2	124	141	64	15	183	165	101	45	78	87	M8	107		
2 1/2	166	224	85	15	233	270	136	70	64	206	M8	144		
3	200	235	105	15	254	270	141	70	64	206	M8	151		
4	238	245	123	22	301	320	164	120	64	256	M12	174		

PVC-C

Ball valve type 546 PVC-C SF With solvent cement sockets metric



DN10/15 - 50

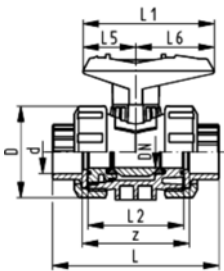


Model:

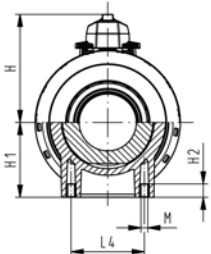
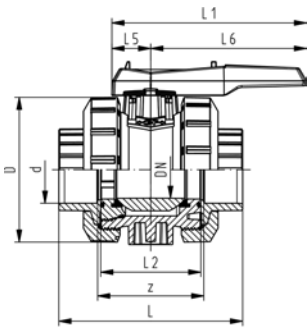
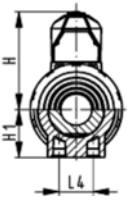
- Silicone free / paint-compatible
- For easy installation and removal
- z-dimension, valve end and union nut are **not compatible** with type 346 (DN10/15-50) resp. type 370 (DN65-100)
- Ball seals PVDF
- Without mounting inserts

Option:

- Individual configuration of the valve (see form)
- Multifunctional module with integrated limit switches



d [mm]	DN [mm]	PN	kv-value (Δp=1 bar) [l/min]	EPDM Code	FPM Code	kg
16	10	16	71	163 546 601	163 546 611	0.160
20	15	16	185	163 546 602	163 546 612	0.160
25	20	16	350	163 546 603	163 546 613	0.245
32	25	16	700	163 546 604	163 546 614	0.365
40	32	16	1000	163 546 605	163 546 615	0.660
50	40	16	1600	163 546 606	163 546 616	0.890
63	50	16	3100	163 546 607	163 546 617	1.650
75	65	16	5000	163 546 608	163 546 618	5.400
90	80	16	7000	163 546 609	163 546 619	8.100
110	100	16	11000	163 546 610	163 546 620	12.800



d [mm]	D [mm]	H [mm]	H1 [mm]	L [mm]	L1 [mm]	L2 [mm]	L4 [mm]	L5 [mm]	L6 [mm]	z [mm]
16	50	57	27	92	77	56	25	32	45	64
20	50	57	27	95	77	56	25	32	45	64
25	58	67	30	110	97	65	25	39	58	72
32	68	73	36	123	97	71	25	39	58	79
40	84	90	44	146	128	85	45	54	74	94
50	97	97	51	157	128	89	45	54	74	95
63	124	116	64	183	152	101	45	66	87	107
75	166	149	85	233	270	136	70	64	206	144
90	200	161	105	254	270	141	70	64	206	151
110	238	178	123	301	320	164	120	64	256	174

PVC-C

Ball valve type 546 PVC-C SF With mounting inserts With solvent cement sockets metric



DN10/15 - 50

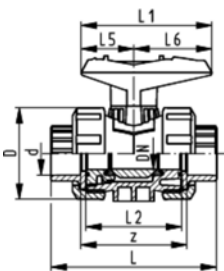


Model:

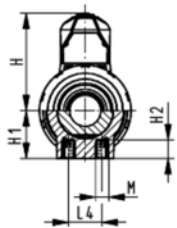
- Silicone free / paint-compatible
- For easy installation and removal
- z-dimension, valve end and union nut are **not compatible** with type 346 (DN10/15-50) resp. type 370 (DN65-100)
- Ball seals PVDF
- Integrated stainless steel mounting inserts

Option:

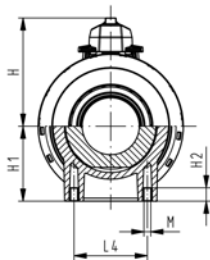
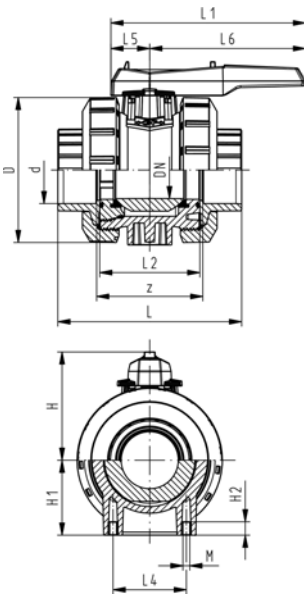
- Individual configuration of the valve (see form)
- Multifunctional module with integrated limit switches



d [mm]	DN [mm]	PN	kv-value (Δp=1 bar) [l/min]	EPDM Code	FPM Code	kg
16	10	16	71	800 000 621	800 000 631	0.160
20	15	16	185	800 000 622	800 000 632	0.160
25	20	16	350	800 000 623	800 000 633	0.245
32	25	16	700	800 000 624	800 000 634	0.365
40	32	16	1000	800 000 625	800 000 635	0.660
50	40	16	1600	800 000 626	800 000 636	0.890
63	50	16	3100	800 000 627	800 000 637	1.650
75	65	16	5000	800 000 628	800 000 638	5.400
90	80	16	7000	800 000 629	800 000 639	8.100
110	100	16	11000	800 000 630	800 000 640	12.800



d [mm]	D [mm]	H [mm]	H1 [mm]	H2 [mm]	L [mm]	L1 [mm]	L2 [mm]	L4 [mm]	L5 [mm]	L6 [mm]	M	z [mm]
16	50	57	27	12	92	77	56	25	32	45	M6	64
20	50	57	27	12	95	77	56	25	32	45	M6	64
25	58	67	30	12	110	97	65	25	39	58	M6	72
32	68	73	36	12	123	97	71	25	39	58	M6	79
40	84	90	44	15	146	128	85	45	54	74	M8	94
50	97	97	51	15	157	128	89	45	54	74	M8	95
63	124	116	64	15	183	152	101	45	66	87	M8	107
75	166	149	85	15	233	270	136	70	64	206	M8	144
90	200	161	105	15	254	270	141	70	64	206	M8	151
110	238	178	123	22	301	320	164	120	64	256	M12	174



PVC-C

Ball valve type 546 PVC-C SF With solvent cement sockets Inch ASTM



DN10/15 - 50

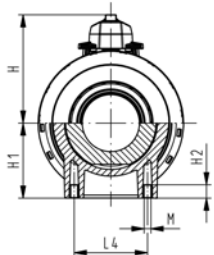
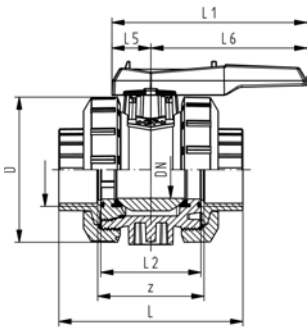
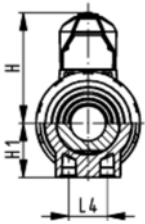
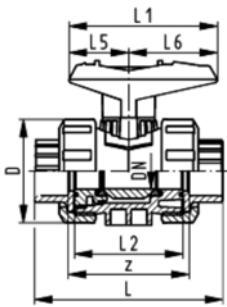


Model:

- Silicone free / paint-compatible
- For easy installation and removal
- z-dimension, valve end and union nut are **not compatible** with type 346 (DN10/15-50) resp. type 370 (DN65-100)
- Ball seals: Inch ASTM in PTFE
- Without mounting inserts

Option:

- Individual configuration of the valve (see form)
- Multifunctional module with integrated limit switches



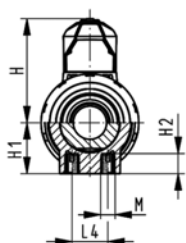
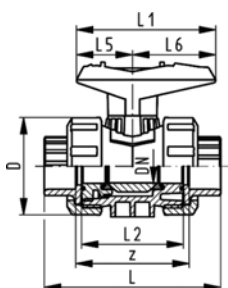
Inch	DN [mm]	PN	kv-value (Δp=1 bar) [l/min]	FPM Code	kg
1/2	15	16	185	163 546 692	0.160
3/4	20	16	350	163 546 693	0.245
1	25	16	700	163 546 694	0.365
1 1/4	32	16	1000	163 546 695	0.660
1 1/2	40	16	1600	163 546 696	0.890
2	50	16	3100	163 546 697	1.650
2 1/2	65	16	5000	163 546 698	5.300
3	80	16	7000	163 546 699	7.900
4	100	16	11000	163 546 700	12.600

Inch	D [mm]	H [mm]	H1 [mm]	L [mm]	L1 [mm]	L2 [mm]	L4 [mm]	L5 [mm]	L6 [mm]	z [mm]
1/2	50	57	27	105	77	56	25	32	45	61
3/4	58	67	30	121	97	65	25	39	58	70
1	68	73	36	133	97	71	25	39	58	76
1 1/4	84	90	44	154	128	85	45	54	74	90
1 1/2	97	97	51	164	128	89	45	54	74	94
2	124	116	64	183	152	101	45	66	87	107
2 1/2	166	149	85	233	270	136	70	64	206	144
3	200	161	105	254	270	141	70	64	206	151
4	238	178	123	301	320	164	120	64	256	174

PVC-C



DN10/15 - 50



Ball valve type 546 PVC-C SF With mounting inserts With solvent cement sockets Inch ASTM

Model:

- Integrated stainless steel mounting inserts
- Silicone free / paint-compatible
- Ball seals:
- - inch ASTM: PTFE
- For easy installation and removal
- z-dimension, valve end and union nut are not compatible with type 346
- Without mounting inserts

Option:

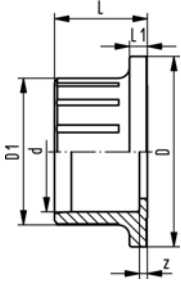
- Individual configuration of the valve (see form)
- Multifunctional module with integrated limit switches

Inch	DN [mm]	PN	kv-value ($\Delta p=1$ bar) [l/min]	EPDM Code	FPM Code	kg
1/2	15	16	185	163 546 842	163 546 852	0.164
3/4	20	16	350	163 546 843	163 546 853	0.249
1	25	16	700	163 546 844	163 546 854	0.369
1 1/4	32	16	1000	163 546 845	163 546 855	0.670
1 1/2	40	16	1600	163 546 846	163 546 856	0.900
2	50	16	3100	163 546 847	163 546 857	1.660

Inch	D [mm]	H [mm]	H1 [mm]	H2 [mm]	L [mm]	L1 [mm]	L2 [mm]	L4 [mm]	L5 [mm]	L6 [mm]	M	z [mm]
1/2	50	57	27	12	105	77	56	25	32	45	6	61
3/4	58	67	30	12	121	97	65	25	39	58	6	70
1	68	73	36	12	133	97	71	25	39	58	6	76
1 1/4	84	90	44	15	154	128	85	45	54	74	8	90
1 1/2	97	97	51	15	164	128	89	45	54	74	8	94
2	124	116	64	15	183	152	101	45	66	87	8	107

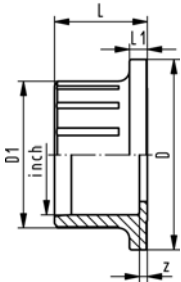
PVC-C

Valve end 546 and 543 PVC-C (G11) With solvent cement socket metric



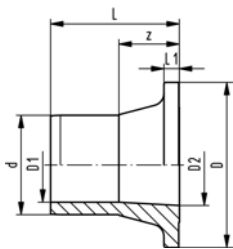
d [mm]	PN	Code	kg	D [mm]	D1 [mm]	L [mm]	L1 [mm]	z [mm]
16	16	163 481 275	0.009	38	23	18	4	4
20	16	163 481 276	0.011	38	27	20	4	4
25	16	163 481 277	0.016	44	33	23	5	4
32	16	163 481 278	0.025	53	41	26	5	4
40	16	163 481 279	0.043	65	51	31	5	5
50	16	163 481 280	0.064	77	62	34	6	3
63	16	163 481 281	0.119	99	77	41	7	3
75	16	163 481 282	0.249	125	92	49	9	4
90	16	163 481 283	0.416	150	110	57	10	5
110	16	163 481 284	0.705	180	134	69	11	5

Valve end 546 and 543 PVC-C (G13) With solvent cement socket Inch ASTM



Inch	d [mm]	PN	Code	kg	D [mm]	D1 [mm]	L [mm]	L1 [mm]	z [mm]
3/8	16	16	163 481 311	0.012	38	24	25	4	6
1/2	20	16	163 481 312	0.014	38	30	25	4	2
3/4	25	16	163 481 313	0.020	44	35	28	5	3
1	32	16	163 481 314	0.031	53	43	31	5	3
1 1/4	40	16	163 481 315	0.046	65	53	34	5	3
1 1/2	50	16	163 481 316	0.067	77	60	38	6	3
2	63	16	163 481 317	0.118	99	73	41	7	3
2 1/2	75	16	163 481 318	0.266	125	92	49	9	4
3	90	16	163 481 319	0.394	150	110	57	10	8
4	110	16	163 481 320	0.651	180	134	69	11	11

Valve end 546 and 543 PVC-C (G14) With solvent cement spigot metric



d [mm]	PN	Code	kg	D [mm]	D1 [mm]	D2 [mm]	L [mm]	L1 [mm]	z [mm]
16	16	163 481 300	0.012	38	10	16	29	4	15
20	16	163 481 301	0.015	38	14	16	34	4	18
25	16	163 481 302	0.023	44	19	20	39	5	20
32	16	163 481 303	0.040	53	24	26	42	5	20
40	16	163 481 304	0.054	65	31	33	45	5	19
50	16	163 481 305	0.093	77	39	41	53	6	22
63	16	163 481 306	0.177	99	49	51	62	7	24
75	16	163 481 307	0.333	125	58	65	74	9	30
90	16	163 481 308	0.515	150	70	90	80	10	28
110	16	163 481 309	0.822	180	86	100	88	11	27

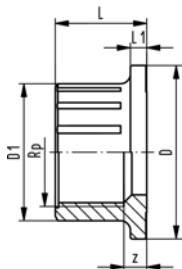
PVC-C



Valve end 546 and 543 PVC-C (G15) With threaded socket Rp

Model:

- Connection to plastic threads only
- Do not use thread sealing pastes that are harmful to PVC-C



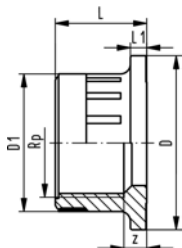
Rp [inch]	PN	Code	kg	D [mm]	D1 [mm]	L [mm]	L1 [mm]	z [mm]
3/8	10	163 481 286	0.011	38	24	20	4	7
1/2	10	163 481 287	0.013	38	28	22	4	6
3/4	10	163 481 288	0.019	44	34	25	5	7
1	10	163 481 289	0.031	53	42	28	5	7
1 1/4	10	163 481 290	0.047	65	52	30	5	7
1 1/2	10	163 481 291	0.081	77	63	32	6	9
2	10	163 481 292	0.150	99	78	38	7	10
2 1/2	10	163 481 293	0.282	125	58	49	9	19
3	10	163 481 294	0.481	150	110	57	10	23
4	10	163 481 295	0.735	180	134	69	11	29



Valve end 546 and 543 PVC-C (G16) With threaded socket Rp reinforced

Model:

- Connection to plastic or metal threads
- Reinforcing ring stainless (A2)
- Do not use thread sealing pastes that are harmful to PVC-C



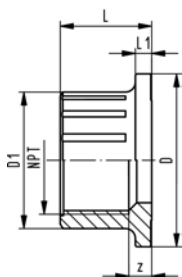
Rp [inch]	PN	Code	kg	D [mm]	D1 [mm]	L [mm]	L1 [mm]	z [mm]
3/8	16	163 481 400	0.014	38	24	20	4	7
1/2	16	163 481 401	0.018	38	28	22	4	6
3/4	16	163 481 402	0.025	44	34	25	5	7
1	16	163 481 403	0.044	53	42	28	5	7
1 1/4	16	163 481 404	0.064	65	52	30	5	7
1 1/2	16	163 481 405	0.106	77	63	32	6	9
2	16	163 481 406	0.182	99	78	38	7	10



Valve end 546 and 543 PVC-C (G17) With threaded socket NPT

Model:

- Connection to plastic threads only
- Do not use thread sealing pastes that are harmful to PVC-C



NPT [inch]	PN	Code	kg	D [mm]	D1 [mm]	L [mm]	L1 [mm]	z [mm]
3/8	10	163 481 322	0.014	38	26	21	4	7
1/2	10	163 481 323	0.019	38	33	21	4	4
3/4	10	163 481 324	0.026	44	39	23	5	5
1	10	163 481 325	0.043	53	47	28	5	6
1 1/4	10	163 481 326	0.064	65	57	31	5	7
1 1/2	10	163 481 327	0.093	77	65	34	6	11
2	10	163 481 328	0.157	99	77	41	7	17
2 1/2	10	163 481 329	0.317	125	58	49	9	15
3	10	163 481 330	0.497	150	110	57	10	21
4	10	163 481 331	0.763	180	134	69	11	31

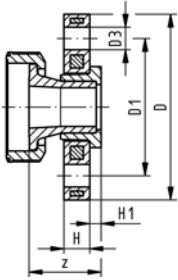
PVC-C



Valve end 546 PVC-U (G72) Assembly with backing flange PP-st metric

Model:

- Joint made with special adhesive Tangit for PVC-U
- Connecting dimensions: ISO 7005 / EN 1092 / DIN 2501 PN10 / BS4504



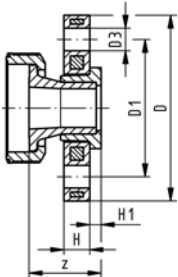
d [mm]	DN [mm]	PN	Code	kg	D [mm]	D1 [mm]	D3 [mm]	H [mm]	H1 [mm]	z [mm]
20	15	16	161 486 285	0.265	95	65	14	12	6	37
25	20	16	161 486 286	0.325	105	75	14	12	7	42
32	25	16	161 486 287	0.530	115	85	14	16	7	45
40	32	16	161 486 288	0.815	140	100	18	16	8	48
50	40	16	161 486 289	1.070	150	110	18	18	8	56
63	50	16	161 486 290	1.395	165	125	18	18	9	65
75	65	16	161 486 291	2.319	185	145	18	18	10	77
90	80	16	161 486 292	2.905	200	160	18	20	11	85
110	100	16	161 486 293	4.079	220	180	18	20	12	93



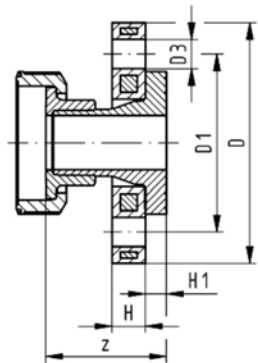
Valve end 546 PP-H (G73) With backing flange PP-St inch ANSI

Model:

- DN15-50 overall length **NOT** according to EN 558
- DN 65-100 overall length according to EN 558
- Connecting dimension: ISO 7005 PN10, EN 1092 PN10, DIN 2501 PN10

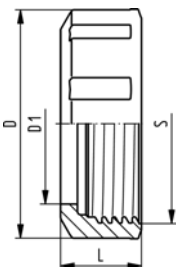


Inch	DN [mm]	PN	Code	kg	D [mm]	D1 [mm]	D3 [mm]	H [mm]	H1 [mm]	z [mm]
½	15	10	167 484 065	0.224	95	60	16	12	7	54
¾	20	10	167 484 066	0.307	105	70	16	12	9	55
1	25	10	167 484 067	0.506	115	79	16	16	10	58
1 ¼	32	10	167 484 068	0.813	140	89	16	16	11	60
1 ½	40	10	167 484 069	1.049	150	98	19	18	12	66
2	50	10	167 484 070	1.290	165	121	19	18	14	68
2 ½	65	10	167 484 071	2.161	185	140	19	18	16	77
3	80	10	167 484 072	2.818	200	152	19	20	17	85
4	100	10	167 484 073	3.741	229	190	19	20	18	93



PVC-C

Union nut 546 and 543 PVC-C



d [mm]	DN [mm]	Code	kg	D [mm]	D1 [mm]	L [mm]	S [mm]
16 - 20	10 - 15	163 481 226	0.013	50	34	19	42
25	20	163 481 227	0.019	58	39	20	48
32	25	163 481 228	0.028	68	47	24	58
40	32	163 481 229	0.054	84	57	27	71
50	40	163 481 230	0.072	97	65	30	84
63	50	163 481 231	0.225	124	79	36	106
75	65	163 481 232	0.619	166	94	48	135
90	80	163 481 233	0.973	200	113	54	135
110	100	163 481 234	1.493	238	137	60	198

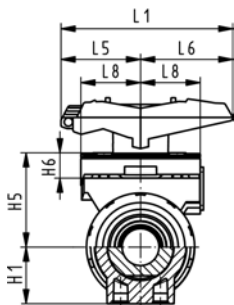
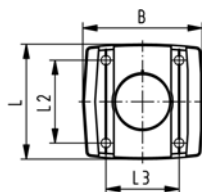


DN10/15 - 50

Multifunctional module (I02) PP-GF Module empty

Model:

- Accessory to Ball Valve Type 546
- Multifunctional module acts as an intermediate element for actuators
- Including screws to mount the module and stainless steel coupling piece (V2A) for dimension DN65-100
- The multifunctional module from d75 - d110 has a master gauge F07 according to EN ISO 5211.



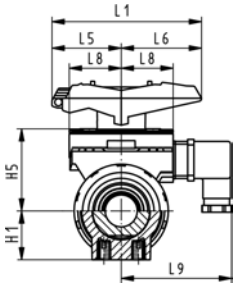
d-d [mm]	DN-DN [mm]	Code	kg
16 - 20	10 - 15	167 482 680	0.055
25 - 32	20 - 25	167 482 681	0.070
40 - 50	32 - 40	167 482 682	0.080
- 63	- 50	167 482 683	0.120
75 - 90	65 - 80	167 482 684	0.135
- 110	- 100	167 482 685	0.175

d-d [mm]	B [mm]	H1 [mm]	H5 [mm]	H6 [mm]	L [mm]	L1 [mm]	L2 [mm]	L3 [mm]	L5 [mm]	L6 [mm]	L8 [mm]
16 - 20	67	27	50	17	72	87	54	40	42	45	34
25 - 32	75	30	53	16	72	108	52	46	50	58	38
40 - 50	81	44	72	16	80	140	60	50	66	75	41
- 63	91	64	94	19	93	165	68	65	78	87	46
75 - 90	90	85	157	23	85	270			64	206	
- 110	106	123	175	23	97	320			64	256	

PVC-C



DN10/15 - 50



Multifunctional module (I03) PP-GF With mechanical limit switches Ag Ni

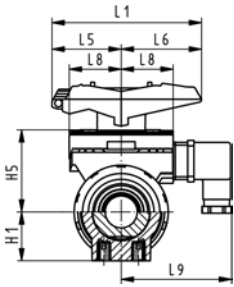
Model:

- Accessory to Ball Valve Type 546
- Multifunctional module acts as an intermediate element for actuators
- Including Plug 3P+E / Protection: IP65
- Including screws to mount the module and stainless steel coupling piece (V2A) for dimension DN65-100

d-d [mm]	DN-DN [mm]	Code	kg	H1 [mm]	H5 [mm]	L1 [mm]	L5 [mm]	L6 [mm]	L8 [mm]	L9 [mm]
16 - 20	10 - 15	167 482 626	0.110	27	50	87	42	45	34	73
25 - 32	20 - 25	167 482 627	0.120	30	53	108	50	58	38	77
40 - 50	32 - 40	167 482 628	0.135	44	72	140	66	75	41	80
- 63	- 50	167 482 629	0.175	64	94	165	78	87	46	85
75 - 90	65 - 80	167 482 630	0.460	85	157	270	64	206		
- 110	- 100	167 482 631	0.480	123	175	320	64	256		



DN10/15 - 50



Multifunctional module (I04) PP-GF With mechanical limit switches Au

Model:

- Accessory to Ball Valve Type 546
- Multifunctional module acts as an intermediate element for actuators
- Including Plug 3P+E / Protection: IP65
- Including screws to mount the module and stainless steel coupling piece (V2A) for dimension DN65-100

d-d [mm]	DN-DN [mm]	Code	kg	H1 [mm]	H5 [mm]	L1 [mm]	L5 [mm]	L6 [mm]	L8 [mm]	L9 [mm]
16 - 20	10 - 15	167 482 635	0.110	27	50	87	42	45	34	73
25 - 32	20 - 25	167 482 636	0.120	30	53	108	50	58	38	77
40 - 50	32 - 40	167 482 637	0.135	44	72	140	66	75	41	80
- 63	- 50	167 482 638	0.175	64	94	165	78	87	46	85
75 - 90	65 - 80	167 482 639	0.460	85	157	270	64	206		
- 110	- 100	167 482 640	0.480	123	175	320	64	256		

PVC-C

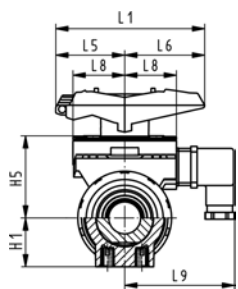
Multifunctional module (I05) PP-GF With inductive limit switches Namur

Model:

- Accessory to Ball Valve Type 546
- Multifunctional module acts as an intermediate element for actuators
- Including Plug 3P+E / Protection: IP65
- Including screws to mount the module and stainless steel coupling piece (V2A) for dimension DN65-100



DN10/15 - 50



d-d [mm]	DN-DN [mm]	Code	kg	H1 [mm]	H5 [mm]	L1 [mm]	L5 [mm]	L6 [mm]	L8 [mm]	L9 [mm]
16 - 20	10 - 15	167 482 671	0.110	27	50	87	42	45	34	73
25 - 32	20 - 25	167 482 672	0.120	30	53	108	50	58	38	77
40 - 50	32 - 40	167 482 673	0.135	44	72	140	66	75	41	80
- 63	- 50	167 482 674	0.175	64	94	165	78	87	46	85
75 - 90	65 - 80	167 482 675	0.460	85	157	270	64	206		
- 110	- 100	167 482 676	0.480	123	175	320	64	256		

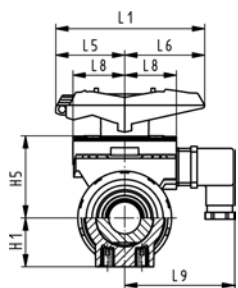
Multifunctional module (I06) PP-GF With inductive limit switches PNP

Model:

- Accessory to Ball Valve Type 546
- Multifunctional module acts as an intermediate element for actuators
- Including Plug 3P+E / Protection: IP65
- Including screws to mount the module and stainless steel coupling piece (V2A) for dimension DN65-100



DN10/15 - 50



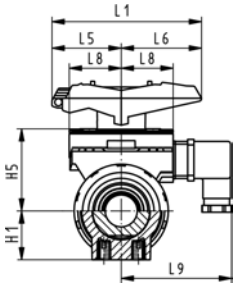
d-d [mm]	DN-DN [mm]	Code	kg	H1 [mm]	H5 [mm]	L1 [mm]	L5 [mm]	L6 [mm]	L8 [mm]	L9 [mm]
16 - 20	10 - 15	167 482 662	0.110	27	50	87	42	45	34	73
25 - 32	20 - 25	167 482 663	0.120	30	53	108	50	58	38	77
40 - 50	32 - 40	167 482 664	0.135	44	72	140	66	75	41	80
- 63	- 50	167 482 665	0.175	64	94	165	78	87	46	85
75 - 90	65 - 80	167 482 666	0.460	85	157	270	64	206		
- 110	- 100	167 482 667	0.480	123	175	320	64	256		

PVC-C

Multifunctional module (I07) PP-GF With inductive limit switches NPN



DN10/15 - 50



Model:

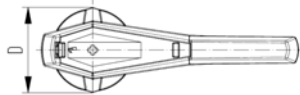
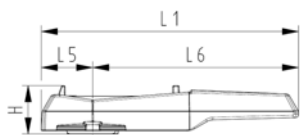
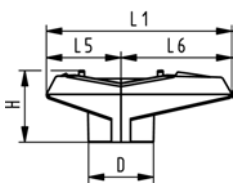
- Accessory to Ball Valve Type 546
- Multifunctional module acts as an intermediate element for actuators
- Including Plug 3P+E / Protection: IP65
- Including screws to mount the module and stainless steel coupling piece (V2A) for dimension DN65-100

d-d [mm]	DN-DN [mm]	Code	kg	H1 [mm]	H5 [mm]	L1 [mm]	L5 [mm]	L6 [mm]	L8 [mm]	L9 [mm]
16 - 20	10 - 15	167 482 653	0.110	27	50	87	42	45	34	73
25 - 32	20 - 25	167 482 654	0.120	30	53	108	50	58	38	77
40 - 50	32 - 40	167 482 655	0.135	44	72	140	66	75	41	80
- 63	- 50	167 482 656	0.175	64	94	165	78	87	46	85
75 - 90	65 - 80	167 482 657	0.460	85	157	270	64	206		
- 110	- 100	167 482 658	0.480	123	175	320	64	256		

Standard handle 546 red (K01)



DN10/15 - 50



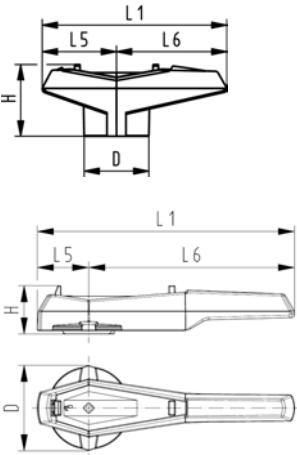
d [mm]	DN [mm]	Code	kg	L1 [mm]	L5 [mm]	L6 [mm]	H [mm]	D [mm]
16 - 20	10 - 15	167 484 088	0.012	77	32	45	31	26
25	20	167 484 089	0.022	97	39	58	37	34
32	25	167 484 090	0.022	97	39	58	37	34
40	32	167 484 091	0.042	128	54	74	46	40
50	40	167 484 092	0.042	128	54	74	46	40
63	50	167 484 093	0.064	152	66	87	54	44
75	65	167 484 094	0.250	270	64	206	58	106
90	80	167 484 095	0.250	270	64	206	58	106
110	100	167 484 096	0.298	320	64	256	60	106

PVC-C

Standard handle 546 black (K02)



DN10/15 - 50



d [mm]	DN [mm]	Code	kg	L1 [mm]	L5 [mm]	L6 [mm]	H [mm]	D [mm]
16 - 20	10 - 15	167 484 076	0.012	77	32	45	31	26
25	20	167 484 077	0.022	97	39	58	37	34
32	25	167 484 078	0.022	97	39	58	37	34
40	32	167 484 079	0.042	128	54	74	46	40
50	40	167 484 080	0.042	128	54	74	46	40
63	50	167 484 081	0.059	152	66	87	54	44
75	65	167 484 082	0.250	270	64	206	58	106
90	80	167 484 083	0.250	270	64	206	58	106
110	100	167 484 084	0.298	320	64	256	60	106

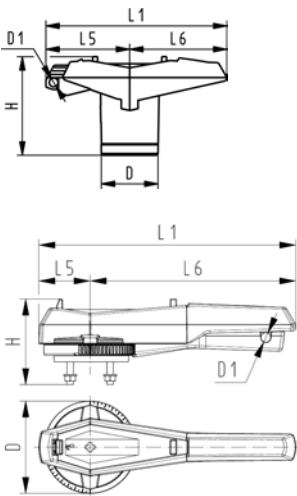
Multifunctional handle 546 red (K11) With ratchet settings lockable

Note:

- To retrofit the ball valve 546 with the multifunctional handle a multifunction module is necessary in the dimensions DN65-100



DN10/15 - 50



d-d [mm]	DN-DN [mm]	Code	kg	D [mm]	D1 [mm]	H [mm]	L1 [mm]	L5 [mm]	L6 [mm]
16 - 20	10 - 15	167 484 100	0.026	26	5	53	87	42	45
- 25	- 20	167 484 101	0.045	34	5	59	108	50	58
- 32	- 25	167 484 102	0.045	34	5	59	108	50	58
- 40	- 32	167 484 103	0.082	40	5	69	140	66	75
- 50	- 40	167 484 104	0.082	40	5	69	140	66	75
- 63	- 50	167 484 105	0.104	44	5	80	165	78	87
- 75	- 65	161 486 689	0.480	115	12	105	270	64	206
- 90	- 80	161 486 690	0.480	115	12	105	270	64	206
110 - 140	100 - 125	161 486 691	0.480	115	12	107	320	64	256

PVC-C

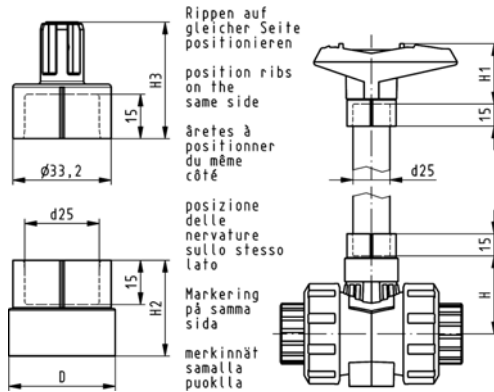
Handle extension 546 PVC-U metric

Model:

- For Ball Valve Type 546
- Composed of adapter sockets for handle connection and stem connection
- PVC-U pipe in suitable length has to be obtained on site



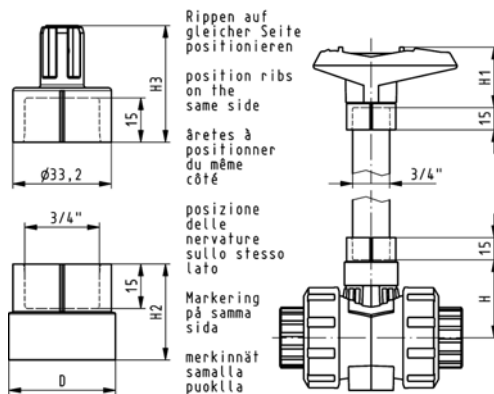
d-d [mm]	DN-DN [mm]	Code	kg	H [mm]	H1 [mm]	H2 [mm]	H3 [mm]	D [mm]
16 - 20	10 - 15	161 486 435	0.032	41	52	29	36	26
25 - 32	20 - 25	161 486 436	0.037	50	62	32	39	36
40 - 50	32 - 40	161 486 437	0.047	65	76	34	44	40
- 63	- 50	161 486 438	0.058	84	87	37	48	44



Handle extension 546 PVC-U inch BS/ASTM

- For Ball Valve Type 546

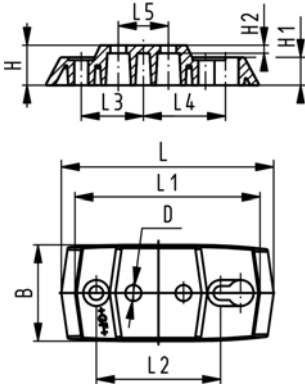
DN-DN [mm]	Inch	Code	kg	H [mm]	H1 [mm]	H2 [mm]	H3 [mm]	D [mm]
10 - 15	3/8-1/2	161 486 443	0.032	41	52	29	36	26
20 - 25	3/4-1	161 486 444	0.037	50	62	32	39	36
32 - 40	1 1/4-1 1/2	161 486 445	0.047	65	76	34	44	40
50 -	2	161 486 446	0.058	84	87	37	48	44



PVC-C

Mounting plate 546 PP-GF (L02)

- 2 mounting screws inclusive



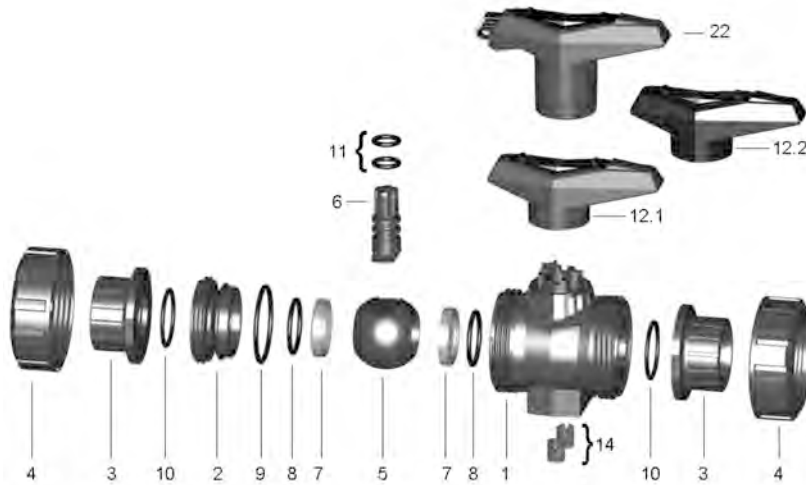
d-d [mm]	DN-DN [mm]	Code	kg
16 - 32	10 - 25	167 484 110	0.055
40 - 63	32 - 50	167 484 111	0.086

d-d [mm]	B [mm]	D [mm]	H [mm]	H1 [mm]	H2 [mm]	L [mm]	L1 [mm]	L2 [mm]	L3 [mm]	L4 [mm]	L5 [mm]
16 - 32	48	8	20	14	4	106	92	62	31	41	25
40 - 63	54	9	20	14	4	149	134	104	52	62	45

PVC-C

Spare parts ball valves 2-way

Spare parts ball valve type 546



Central part

Model:

- Every connecting pieces and union nuts are listed on product range industry valves
- Ball seals standard in PTFE
- Central part consisting of: body (1), union bush (2), ball (5), stem (6), ball-, backing-, body-, face- and stem seal (7-11), standard lever (12) and threaded inserts stainless steel (14)

d [mm]	DN [mm]	PVC-C EPDM Code	PVC-C FPM Code	kg
16	10	163 481 251	163 481 263	0.100
20	15	163 481 251	163 481 263	0.100
25	20	163 481 252	163 481 264	0.160
32	25	163 481 253	163 481 265	0.230
40	32	163 481 254	163 481 266	0.410
50	40	163 481 255	163 481 267	0.540
63	50	163 481 256	163 481 268	0.950
75	65	163 481 257	163 481 269	3.560
90	80	163 481 258	163 481 270	5.200
110	100	163 481 259	163 481 271	8.270



Ball set

Model:

- Ball seals standard in PTFE
- Ball set consisting of: ball (5), stem (6), ball-, backing-, body- and stem seal (7-9,11)

d [mm]	DN [mm]	PVC-C EPDM Code	PVC-C FPM Code	kg
16	10	163 481 375	163 481 385	0.017
20	15	163 481 375	163 481 385	0.017
25	20	163 481 376	163 481 386	0.026
32	25	163 481 377	163 481 387	0.045
40	32	163 481 378	163 481 388	0.088
50	40	163 481 379	163 481 389	0.138
63	50	163 481 380	163 481 390	0.268
75	65	163 481 381	163 481 391	0.538
90	80	163 481 382	163 481 392	0.849
110	100	163 481 383	163 481 393	1.408

PVC-C

Lever



DN10/15 - 50



DN10/15 - 50



d [mm]	DN [mm]	Standard lever red Code	Standard lever black Code	Multifunctional lever Code	kg
16	10	167 484 088	167 484 076	167 484 100	0.026
20	15	167 484 088	167 484 076	167 484 100	0.026
25	20	167 484 089	167 484 077	167 484 101	0.045
32	25	167 484 090	167 484 078	167 484 102	0.045
40	32	167 484 091	167 484 079	167 484 103	0.082
50	40	167 484 092	167 484 080	167 484 104	0.082
63	50	167 484 093	167 484 081	167 484 105	0.104
75	65	167 484 094	167 484 082	161 486 689	0.480
90	80	167 484 095	167 484 083	161 486 690	0.480
110	100	167 484 096	167 484 084	161 486 691	0.480

Face seal



d [mm]	DN [mm]	EPDM Code	FPM Code	kg
16	10	748 410 059	749 410 059	0.002
20	15	748 410 059	749 410 059	0.002
25	20	748 410 106	749 410 106	0.002
32	25	748 410 151	749 410 151	0.002
40	32	748 410 062	749 410 062	0.005
50	40	748 410 003	749 410 003	0.007
63	50	748 410 231	749 410 231	0.002
75	65	748 410 119	749 410 119	0.010
90	80	748 410 023	749 410 023	0.012
110	100	748 410 254	749 410 254	0.030

Seal set



Model:

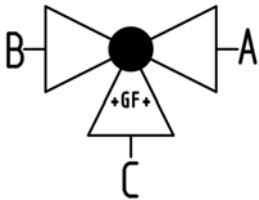
- Seal set consisting of: backing-, body-, face- and stem seal (8-11)

d [mm]	DN [mm]	EPDM Code	FPM Code	kg
16	10	161 486 400	161 486 410	0.003
20	15	161 486 400	161 486 410	0.003
25	20	161 486 401	161 486 411	0.005
32	25	161 486 402	161 486 412	0.006
40	32	161 486 403	161 486 413	0.010
50	40	161 486 404	161 486 414	0.023
63	50	161 486 405	161 486 415	0.031
75	65	161 486 406	161 486 416	0.024
90	80	161 486 407	161 486 417	0.034
110	100	161 486 408	161 486 418	0.058

PVC-C

Ball valves 3-way

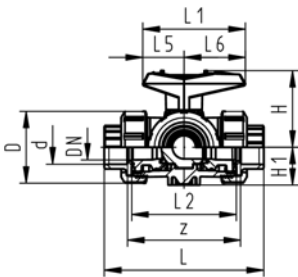
3-Way ball valve type 543 PVC-C Horizontal/L-port With solvent cement sockets metric



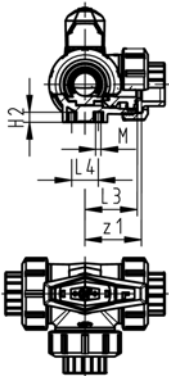
Model:

- For easy installation and removal (valve end and union nut are compatible with type 546)
- Ball seals PTFE
- Pneumatic or electric actuator available separately
- Angle of operation 360° without turn limiter
- Turn limiter 90° enclosed, in different positions usable as a clip-on ring
- Integrated stainless steel mounting inserts
- Delivery status A-C opened, see flow scheme

d [mm]	DN [mm]	PN	kv-value (Δp=1 bar) [l/min]	EPDM Code	FPM Code	kg
16	10	10	50	163 543 001	163 543 011	0.265
20	15	10	75	163 543 002	163 543 012	0.272
25	20	10	150	163 543 003	163 543 013	0.391
32	25	10	280	163 543 004	163 543 014	0.598
40	32	10	480	163 543 005	163 543 015	1.018
50	40	10	620	163 543 006	163 543 016	1.509
63	50	10	1230	163 543 007	163 543 017	2.938

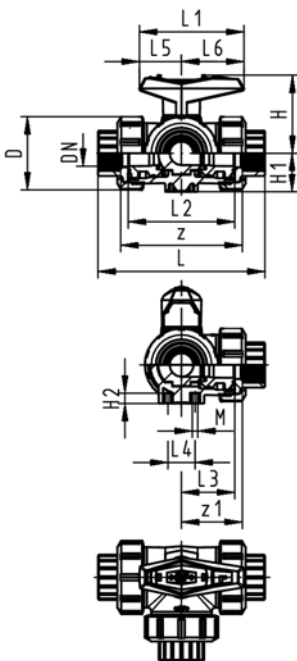
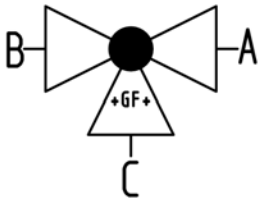


d [mm]	D [mm]	L [mm]	L1 [mm]	L2 [mm]	L3 [mm]	L4 [mm]	L5 [mm]	L6 [mm]	H [mm]	H1 [mm]	H2 [mm]	M	z [mm]	z1 [mm]
16	50	109	77	73	36	25	32	45	57	28	8	6	81	40
20	50	112	77	73	36	25	32	45	57	28	8	6	81	40
25	58	131	97	86	43	25	39	58	67	32	8	6	94	47
32	68	151	97	99	50	25	39	58	73	36	8	6	107	54
40	84	181	128	120	60	45	54	74	90	45	9	8	130	65
50	97	205	128	137	69	45	54	74	97	51	9	8	143	72
63	124	261	152	179	89	45	66	87	116	65	9	8	185	92



PVC-C

3-Way ball valve type 543 PVC-C Horizontal/L-port With threaded sockets Rp



Model:

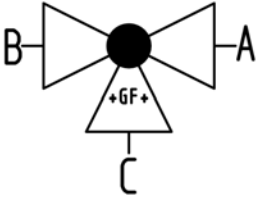
- For easy installation and removal (valve end and union nut are compatible with type 546)
- Ball seals PTFE
- Pneumatic or electric actuator available separately
- Angle of operation 360° without turn limiter
- Turn limiter 90° enclosed, in different positions usable as a clip-on ring
- Integrated stainless steel mounting inserts
- Delivery status A-C opened, see flow scheme

Rp [inch]	DN [mm]	PN	kv-value ($\Delta p=1$ bar) [l/min]	EPDM Code	FPM Code	kg
3/8	10	10	50	163 543 041	163 543 051	0.265
1/2	15	10	75	163 543 042	163 543 052	0.272
3/4	20	10	150	163 543 043	163 543 053	0.391
1	25	10	280	163 543 044	163 543 054	0.598
1 1/4	32	10	480	163 543 045	163 543 055	1.018
1 1/2	40	10	620	163 543 046	163 543 056	1.509
2	50	10	1230	163 543 047	163 543 057	2.938

Rp [inch]	D [mm]	L [mm]	L1 [mm]	L2 [mm]	L3 [mm]	L4 [mm]	L5 [mm]	L6 [mm]	H [mm]	H1 [mm]	H2 [mm]	z [mm]	z1 [mm]	M
3/8	50	113	77	73	36	25	32	45	57	28	8	87	43	6
1/2	50	116	77	73	36	25	32	45	57	28	8	85	42	6
3/4	58	135	97	86	43	25	39	58	67	32	8	100	50	6
1	68	155	97	99	50	25	39	58	73	36	8	113	57	6
1 1/4	84	179	128	120	60	45	54	74	90	45	9	134	67	8
1 1/2	97	201	128	137	69	45	54	74	97	51	9	155	78	8
2	124	255	152	179	89	45	66	87	116	65	9	199	99	8

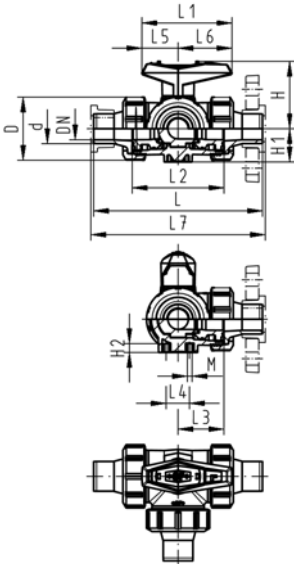
PVC-C

3-Way ball valve type 543 PVC-C Horizontal/L-port With solvent cement spigots metric



Model:

- For easy installation and removal (valve end and union nut are compatible with type 546)
- Ball seals PTFE
- Pneumatic or electric actuator available separately
- Angle of operation 360° without turn limiter
- Turn limiter 90° enclosed, in different positions usable as a clip-on ring
- Integrated stainless steel mounting inserts
- Delivery status A-C opened, see flow scheme

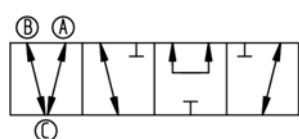
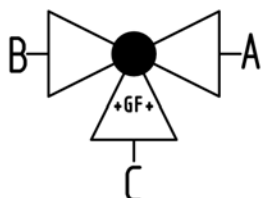


d [mm]	DN [mm]	PN	kv-value ($\Delta p=1$ bar) [l/min]	EPDM Code	FPM Code	kg
16	10	10	50	163 543 021	163 543 031	0.272
20	15	10	75	163 543 022	163 543 032	0.282
25	20	10	150	163 543 023	163 543 033	0.408
32	25	10	280	163 543 024	163 543 034	0.624
40	32	10	480	163 543 025	163 543 035	1.041
50	40	10	620	163 543 026	163 543 036	1.578
63	50	10	1230	163 543 027	163 543 037	3.075

d [mm]	D [mm]	L [mm]	L1 [mm]	L2 [mm]	L3 [mm]	L4 [mm]	L5 [mm]	L6 [mm]	L7 [mm]	H [mm]	H1 [mm]	H2 [mm]	M
16	50	131	77	73	36	25	32	45	137	57	28	8	6
20	50	141	77	73	36	25	32	45	147	57	28	8	6
25	58	165	97	86	43	25	39	58	171	67	32	8	6
32	68	182	97	99	50	25	39	58	188	73	36	8	6
40	84	209	128	120	60	45	54	74	215	90	45	9	8
50	97	242	128	137	69	45	54	74	248	97	51	9	8
63	124	302	152	179	89	45	66	87	308	116	65	9	8

PVC-C

3-Way ball valve type 543 PVC-C Horizontal/T-port With solvent cement sockets metric

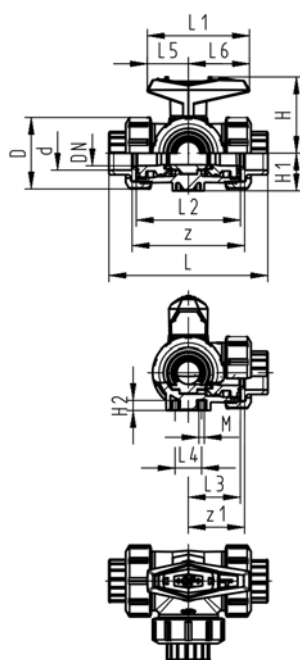


Model:

- For easy installation and removal (valve end and union nut are compatible with type 546)
- Ball seals PTFE
- Pneumatic or electric actuator available separately
- Angle of operation 360° without turn limiter
- Turn limiter 90° enclosed, in different positions usable as a clip-on ring
- Integrated stainless steel mounting inserts
- Delivery status A-B-C opened, see flow scheme

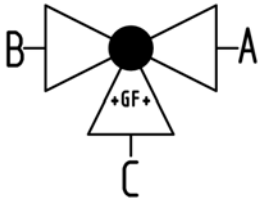
d [mm]	DN [mm]	PN	kv-value (Δp=1 bar) [l/min]	EPDM Code	FPM Code	kg
16	10	10	140	163 543 201	163 543 211	0.264
20	15	10	200	163 543 202	163 543 212	0.271
25	20	10	470	163 543 203	163 543 213	0.389
32	25	10	793	163 543 204	163 543 214	0.590
40	32	10	1290	163 543 205	163 543 215	1.007
50	40	10	1910	163 543 206	163 543 216	1.487
63	50	10	3100	163 543 207	163 543 217	2.889

d [mm]	D [mm]	L [mm]	L1 [mm]	L2 [mm]	L3 [mm]	L4 [mm]	L5 [mm]	L6 [mm]	H [mm]	H1 [mm]	H2 [mm]	M	z [mm]	z1 [mm]
16	50	109	77	73	36	25	32	45	57	28	8	6	81	40
20	50	112	77	73	36	25	32	45	57	28	8	6	81	40
25	58	131	97	86	43	25	39	58	67	32	8	6	94	47
32	68	151	97	99	50	25	39	58	73	36	8	6	107	54
40	84	181	128	120	60	45	54	74	90	45	9	8	130	65
50	97	205	128	137	69	45	54	74	97	51	9	8	143	72
63	124	261	152	179	89	45	66	87	116	65	9	8	185	92



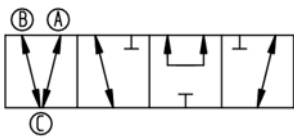
PVC-C

3-Way ball valve type 543 PVC-C Horizontal/T-port With threaded sockets Rp

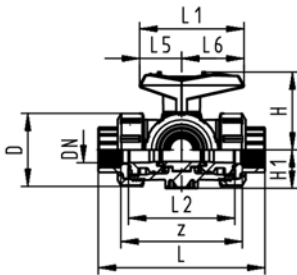


Model:

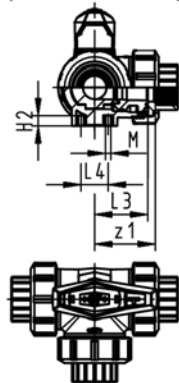
- For easy installation and removal (valve end and union nut are compatible with type 546)
- Ball seals PTFE
- Pneumatic or electric actuator available separately
- Angle of operation 360° without turn limiter
- Turn limiter 90° enclosed, in different positions usable as a clip-on ring
- Integrated stainless steel mounting inserts
- Delivery status A-B-C opened, see flow scheme



Rp [inch]	DN [mm]	PN	kv-value ($\Delta p=1$ bar) [l/min]	EPDM Code	FPM Code	kg
3/8	10	10	140	163 543 241	163 543 251	0.264
1/2	15	10	200	163 543 242	163 543 252	0.271
3/4	20	10	470	163 543 243	163 543 253	0.389
1	25	10	793	163 543 244	163 543 254	0.590
1 1/4	32	10	1290	163 543 245	163 543 255	1.007
1 1/2	40	10	1910	163 543 246	163 543 256	1.487
2	50	10	3100	163 543 247	163 543 257	2.889

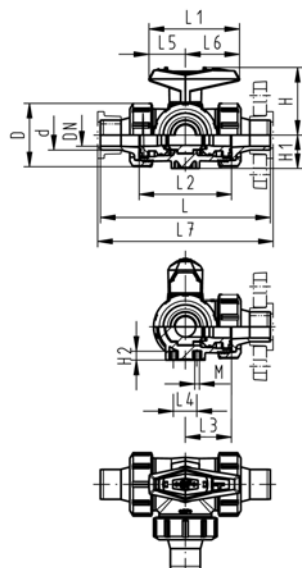
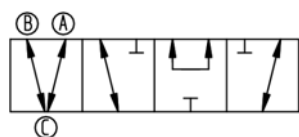
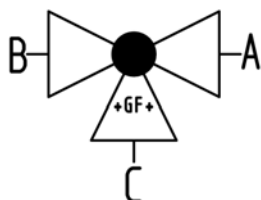


Rp [inch]	D [mm]	L [mm]	L1 [mm]	L2 [mm]	L3 [mm]	L4 [mm]	L5 [mm]	L6 [mm]	H [mm]	H1 [mm]	H2 [mm]	M	z [mm]	z1 [mm]
3/8	50	113	77	73	36	25	32	45	57	28	8	6	87	43
1/2	50	116	77	73	36	25	32	45	57	28	8	6	85	42
3/4	58	135	97	86	43	25	39	58	67	32	8	6	100	50
1	68	155	97	99	50	25	39	58	73	36	8	6	113	57
1 1/4	84	179	128	120	60	45	54	74	90	45	9	8	134	67
1 1/2	97	201	128	137	69	45	54	74	97	51	9	8	155	78
2	124	255	152	179	89	45	66	87	116	65	9	8	199	99



PVC-C

3-Way ball valve type 543 PVC-C Horizontal/T-port With solvent cement spigots metric



Model:

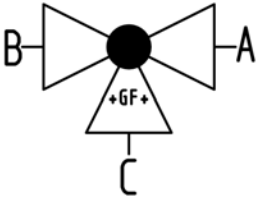
- For easy installation and removal (valve end and union nut are compatible with type 546)
- Ball seals PTFE
- Pneumatic or electric actuator available separately
- Angle of operation 360° without turn limiter
- Turn limiter 90° enclosed, in different positions usable as a clip-on ring
- Integrated stainless steel mounting inserts
- Delivery status A-B-C opened, see flow scheme

d [mm]	DN [mm]	PN	kv-value (Δp=1 bar) [l/min]	EPDM Code	FPM Code	kg
16	10	10	140	163 543 221	163 543 231	0.264
20	15	10	200	163 543 222	163 543 232	0.271
25	20	10	470	163 543 223	163 543 233	0.389
32	25	10	793	163 543 224	163 543 234	0.590
40	32	10	1290	163 543 225	163 543 235	1.007
50	40	10	1910	163 543 226	163 543 236	1.487
63	50	10	3100	163 543 227	163 543 237	2.889

d [mm]	D [mm]	L [mm]	L1 [mm]	L2 [mm]	L3 [mm]	L4 [mm]	L5 [mm]	L6 [mm]	L7 [mm]	H [mm]	H1 [mm]	H2 [mm]	M
16	50	131	77	73	36	25	32	45	137	57	28	8	6
20	50	141	77	73	36	25	32	45	147	57	28	8	6
25	58	165	97	86	43	25	39	58	171	67	32	8	6
32	68	182	97	99	50	25	39	58	188	73	36	8	6
40	84	209	128	120	60	45	54	74	215	90	45	9	8
50	97	242	128	137	69	45	54	74	248	97	51	9	8
63	124	302	152	179	89	45	66	87	308	116	65	9	8

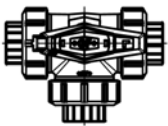
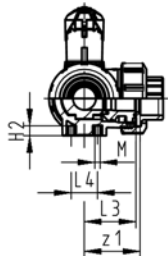
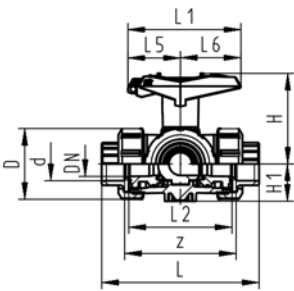
PVC-C

3-Way ball valve type 543 PVC-C Horizontal/L-port With lockable handle With solvent cement sockets metric



Model:

- For easy installation and removal (valve end and union nut are compatible with type 546)
- Ball seals PTFE
- Pneumatic or electric actuator available separately
- Angle of operation 360° without turn limiter
- Turn limiter 90° enclosed, in different positions usable as a clip-on ring
- Integrated stainless steel mounting inserts
- Multifunctional lever red with ratched setting 45°, lockable
- Delivery status A-C opened, see flow scheme

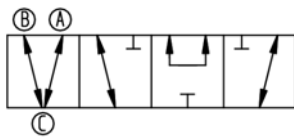
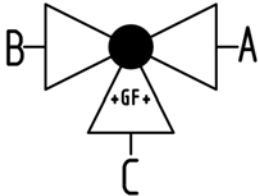


d [mm]	DN [mm]	PN	kv-value (Δp=1 bar) [l/min]	EPDM Code	FPM Code	kg
16	10	10	50	163 543 381	163 543 391	0.281
20	15	10	75	163 543 382	163 543 392	0.287
25	20	10	150	163 543 383	163 543 393	0.410
32	25	10	280	163 543 384	163 543 394	0.616
40	32	10	480	163 543 385	163 543 395	1.043
50	40	10	620	163 543 386	163 543 396	1.534
63	50	10	1230	163 543 387	163 543 397	2.972

d [mm]	D [mm]	L [mm]	L1 [mm]	L2 [mm]	L3 [mm]	L4 [mm]	L5 [mm]	L6 [mm]	H [mm]	H1 [mm]	H2 [mm]	M	z [mm]	z1 [mm]
16	50	109	87	73	36	25	42	45	79	28	8	6	81	40
20	50	112	87	73	36	25	42	45	79	28	8	6	81	40
25	58	131	108	86	43	25	50	58	88	32	8	6	94	47
32	68	151	108	99	50	25	50	58	94	36	8	6	107	54
40	84	181	141	120	60	45	66	75	113	45	9	8	130	65
50	97	205	141	137	69	45	66	75	119	51	9	8	143	72
63	124	261	165	179	89	45	78	87	141	65	9	8	185	92

PVC-C

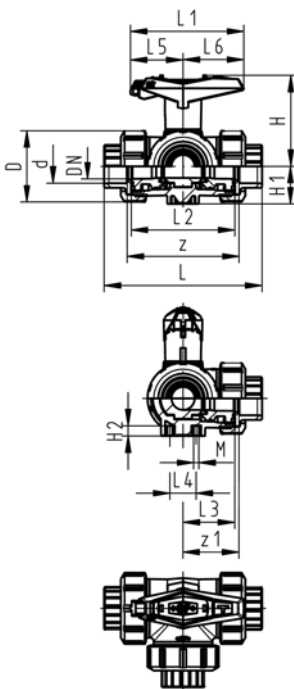
3-Way ball valve type 543 PVC-C Horizontal/T-port With lockable handle With solvent cement sockets metric



Model:

- For easy installation and removal (valve end and union nut are compatible with type 546)
- Ball seals PTFE
- Pneumatic or electric actuator available separately
- Angle of operation 360° without turn limiter
- Turn limiter 90° enclosed, in different positions usable as a clip-on ring
- Integrated stainless steel mounting inserts
- Multifunctional lever red with ratched setting 45°, lockable
- Delivery status A-B-C opened, see flow scheme

d [mm]	DN [mm]	PN	kv-value (Δp=1 bar) [l/min]	EPDM Code	FPM Code	kg
16	10	10	140	163 543 401	163 543 411	0.280
20	15	10	200	163 543 402	163 543 412	0.286
25	20	10	470	163 543 403	163 543 413	0.408
32	25	10	793	163 543 404	163 543 414	0.609
40	32	10	1290	163 543 405	163 543 415	1.031
50	40	10	1910	163 543 406	163 543 416	1.512
63	50	10	3100	163 543 407	163 543 417	2.923

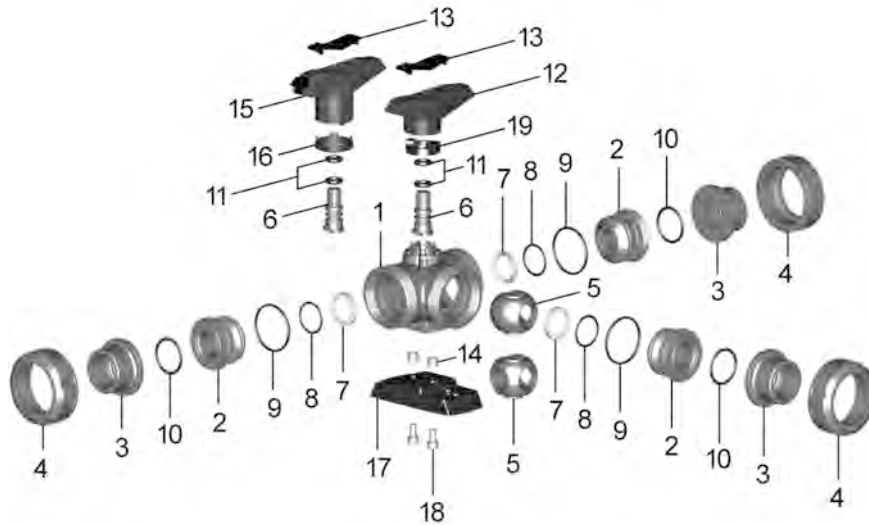


d [mm]	D [mm]	L [mm]	L1 [mm]	L2 [mm]	L3 [mm]	L4 [mm]	L5 [mm]	L6 [mm]	H [mm]	H1 [mm]	H2 [mm]	M [mm]	z [mm]	z1 [mm]
16	50	109	87	73	36	25	42	45	79	28	8	6	81	40
20	50	112	87	73	36	25	42	45	79	28	8	6	81	40
25	58	131	108	86	43	25	50	58	88	32	8	6	94	47
32	68	151	108	99	50	25	50	58	94	36	8	6	107	54
40	84	181	141	120	60	45	66	75	113	45	9	8	130	65
50	97	205	141	137	69	45	66	75	119	51	9	8	143	72
63	124	261	165	179	89	45	78	87	141	65	9	8	185	92

PVC-C

Spare parts ball valves 3-way

Spare parts ball valve type 543 horizontal



Central part L-port

Model:

- Every connecting pieces and union nuts are listed on product range industry valves
- Ball seals standard in PTFE
- Central part consisting of: body (1), union bush (2), ball (5), stem (6), ball-, backing-, body-, face- and stem seal (7-11), standard lever (12) and threaded inserts stainless steel (14)

d [mm]	DN [mm]	PVC-C EPDM Code	PVC-C FPM Code	kg
16	10	163 481 902	163 481 912	0.000
20	15	163 481 902	163 481 912	0.000
25	20	163 481 903	163 481 913	0.000
32	25	163 481 904	163 481 914	0.000
40	32	163 481 905	163 481 915	0.000
50	40	163 481 906	163 481 916	0.000
63	50	163 481 907	163 481 917	0.000



Central part T-port

Model:

- Ball seals standard in PTFE
- Central part consisting of: body (1), union bush (2), ball (5), stem (6), ball-, backing-, body-, face- and stem seal (7-11), standard lever (12) and threaded inserts stainless steel (14)

d [mm]	DN [mm]	PVC-C EPDM Code	PVC-C FPM Code	kg
16	10	163 481 922	163 481 932	0.000
20	15	163 481 922	163 481 932	0.000
25	20	163 481 923	163 481 933	0.000
32	25	163 481 924	163 481 934	0.000
40	32	163 481 925	163 481 935	0.000
50	40	163 481 926	163 481 936	0.000
63	50	163 481 927	163 481 937	0.000

PVC-C

Ball set L-port

Model:

- Ball seals standard in PTFE
- Ball set consisting of: lever (12), ball (5), stem (6), ball-, backing-, body- and stem seal (7-9,11)



d [mm]	DN [mm]	PVC-C EPDM Code	PVC-C FPM Code	kg
16	10	163 481 982	163 481 992	2.969
20	15	163 481 982	163 481 992	2.969
25	20	163 481 983	163 481 993	5.747
32	25	163 481 984	163 481 994	7.985
40	32	163 481 985	163 481 995	0.138
50	40	163 481 986	163 481 996	0.212
63	50	163 481 987	163 481 997	0.358

Ball set T-port

Model:

- Ball seals standard in PTFE
- Ball set consisting of: lever (12), ball (5), stem (6), ball-, backing-, body- and stem seal (7-9,11)



d [mm]	DN [mm]	PVC-C EPDM Code	PVC-C FPM Code	kg
16	10	163 482 002	163 482 012	0.028
20	15	163 482 002	163 482 012	0.028
25	20	163 482 003	163 482 013	5.529
32	25	163 482 004	163 482 014	7.224
40	32	163 482 005	163 482 015	0.126
50	40	163 482 006	163 482 016	0.189
63	50	163 482 007	163 482 017	0.309

Lever



d [mm]	DN [mm]	Standard lever L-port red Code	Standard lever T-port red Code	Multifunctional-lever L-port red Code	Multifunctional-lever T-port red Code	kg
16	10	167 484 488	167 484 588	167 484 442	167 484 542	0.026
20	15	167 484 488	167 484 588	167 484 442	167 484 542	0.026
25	20	167 484 489	167 484 589	167 484 443	167 484 543	0.045
32	25	167 484 490	167 484 590	167 484 444	167 484 544	0.045
40	32	167 484 491	167 484 591	167 484 445	167 484 545	0.082
50	40	167 484 492	167 484 592	167 484 446	167 484 546	0.082
63	50	167 484 493	167 484 593	167 484 447	167 484 547	0.104

Face seal



d [mm]	DN [mm]	EPDM Code	FPM Code	kg
16	10	748 410 059	749 410 059	0.002
20	15	748 410 059	749 410 059	0.002
25	20	748 410 106	749 410 106	0.002
32	25	748 410 151	749 410 151	0.002
40	32	748 410 062	749 410 062	0.005
50	40	748 410 003	749 410 003	0.007
63	50	748 410 231	749 410 231	0.002

PVC-C



Seal set

Model:

- Seal set consisting of: backing-, body-, face- and stem seal (8-11)

d [mm]	DN [mm]	EPDM Code	FPM Code	kg
16	10	161 488 242	161 488 248	0.011
20	15	161 488 242	161 488 248	0.011
25	20	161 488 243	161 488 249	0.011
32	25	161 488 244	161 488 250	0.014
40	32	161 488 245	161 488 251	0.014
50	40	161 488 246	161 488 252	0.026
63	50	161 488 247	161 488 253	0.032



Turn limiter 90°

d [mm]	DN [mm]	Code	kg
16	10	167 482 479	0.001
20	15	167 482 479	0.001
25	20	167 482 480	0.002
32	25	167 482 480	0.002
40	32	167 482 481	0.004
50	40	167 482 481	0.004
63	50	167 482 482	0.004



Assembly kit

Model:

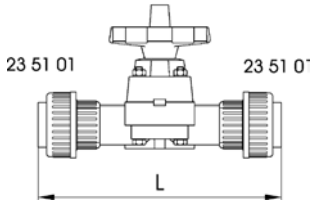
- Intermediate element for ball valve type 543 horizontal and electric or pneumatic actuators EA21; PA11/21
- Including screws and position indicator for actuators

d [mm]	DN [mm]	Code	kg
16 - 20	10 - 15	167 484 941	0.000
25 - 32	20 - 25	167 484 942	0.000
40 - 50	32 - 40	167 484 943	0.000
63	50	167 484 944	0.000

PVC-C

Diaphragm valves PVC-C metric

Diaphragm valve type 314 PVC-C With solvent cement sockets metric



Model:

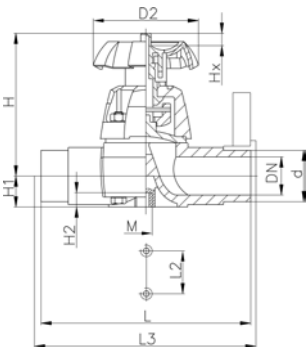
- Type 315 with two adhesive jointed unions
- Overall length not standard
- For easy installation and removal

Option:

- Handwheel with built-in locking mechanism (standard version is nonlockable)

d [mm]	DN [mm]	PN	kv-value (Δp=1 bar) [l/min]	EPDM Code	kg	D2 [mm]	L [mm]	Lift = Hx [mm]
20	15	10	72	163 314 017	0.378	25	182	8
25	20	10	137	163 314 018	0.584	25	208	11
32	25	10	207	163 314 019	0.906	25	224	13
40	32	10	354	163 314 020	1.000	45	256	16
50	40	10	517	163 314 021	1.496	45	290	21
63	50	10	713	163 314 022	3.100	45	342	28

Diaphragm valve type 315 PVC-C With solvent cement spigots



Model:

- Overall length according to EN 558

Option:

- Handwheel with built-in locking mechanism (standard version is nonlockable)

d [mm]	DN [mm]	PN	kv-value (Δp=1 bar) [l/min]	EPDM Code	PTFE with EPDM supp. diaphragm Code	kg
20	15	10	72	163 315 617	163 315 632	0.290
25	20	10	137	163 315 618	163 315 633	0.440
32	25	10	207	163 315 619	163 315 634	0.710
40	32	10	354	163 315 620	163 315 635	1.000
50	40	10	517	163 315 621	163 315 636	1.300
63	50	10	713	163 315 622	163 315 637	2.300

d [mm]	D2 [mm]	L [mm]	L2 [mm]	L3 [mm]	H [mm]	H1 [mm]	H2 [mm]	M	Lift = Hx [mm]
20	80	124	25	130	90	14	12	M6	8
25	80	144	25	150	102	18	12	M6	11
32	94	154	25	160	119	21	12	M6	13
40	117	174	45	180	126	26	15	M8	16
50	117	194	45	200	139	33	15	M8	21
63	152	224	45	230	172	39	15	M8	28

PVC-C

Diaphragm valve type 317 PVC-C With flanges PP-V



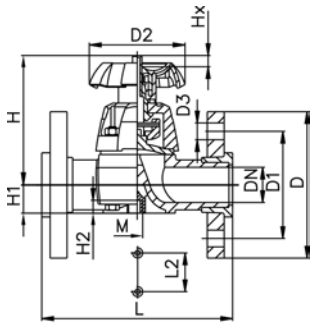
Model:

- Jointing face flat
- DN 15-65 with backing flange
- DN 80-150 with fixed flange
- Overall length according to EN 558

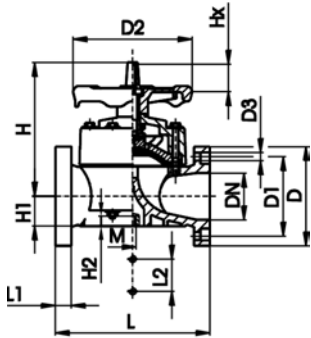
Option:

- Handwheel lockable DN15-65 (basic version not lockable)

* DN80 and DN150 fixed flanges metric and Inch ANSI B16.5



DN 15-65



DN 80-100

d [mm]	DN [mm]	Inch	PN	kv-value (Δp=1 bar) [l/min]	EPDM Code	PTFE with EPDM Code	kg
20	15	½	10	72	163 317 517	163 317 532	0.460
25	20	¾	10	137	163 317 518	163 317 533	0.680
32	25	1	10	207	163 317 519	163 317 534	1.000
40	32	1 ¼	10	354	163 317 520	163 317 535	1.600
50	40	1 ½	10	517	163 317 521	163 317 536	1.900
63	50	2	10	713	163 317 522	163 317 537	3.200
75	65	2 ½	10	992	163 317 523	163 317 538	4.425
* 90	80	3	10	1700	163 317 024	163 317 039	9.888
110	100	4	10	2700	163 317 025	163 317 040	13.799

d [mm]	L [mm]	L1 [mm]	L2 [mm]	D [mm]	D1 [mm]	D2 [mm]	D3 [mm]	H [mm]	H1 [mm]	H2 [mm]	M	A L	Lift = Hx [mm]
20	130		25	95	65	80	14	90	14	12	M6	4	8
25	150		25	105	75	80	14	102	18	12	M6	4	11
32	160		25	115	85	94	14	119	21	12	M6	4	13
40	180		45	140	100	117	18	126	26	15	M8	4	16
50	200		45	150	110	117	18	139	33	15	M8	4	21
63	230		45	165	125	152	18	172	39	15	M8	4	28
75	290		70	185	145	152	18	201	46	15	M8	4	30
* 90	310	35	120	200	160	270	18	265	57	23	M12	8	40
110	350	35	120	225	180	270	18	304	69	23	M12	8	50



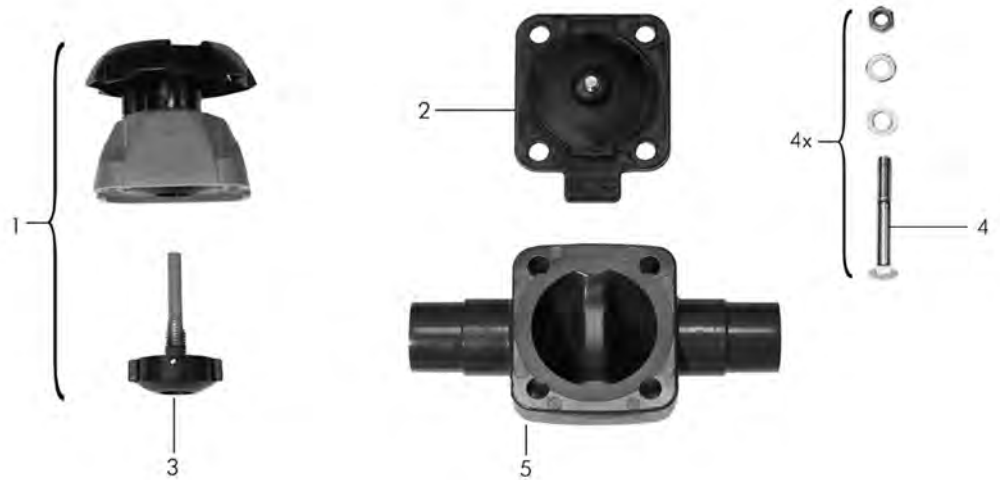
Handwheel with built-in locking mechanism For diaphragm valve type 314 / 315 / 317 / 319

d-d [mm]	DN-DN [mm]	d-d [inch]	Code	kg
20 - 25	15 - 20	½ - ¾	167 481 943	0.032
32 -	25 -	1 -	167 481 944	0.043
40 - 50	32 - 40	1 ¼ - 1 ½	167 481 945	0.071
63 - 75	50 - 65	2 - 2 ½	167 481 946	0.217

PVC-C

Spare parts diaphragm valves

Spare parts diaphragm valve type 315



Bonnet complete

Model:

- Without diaphragm (1, 3)



d [mm]	DN [mm]	elastomer diaphragm Code	PTFE diaphragm Code	kg	
20	15	161 484 625	161 484 632	0.185	
25	20	161 484 626	161 484 633	0.299	
32	25	161 484 627	161 484 634	0.367	
40	32	161 484 628	161 484 635	0.361	
50	40	161 484 629	161 484 636	0.422	
63	50	161 484 630	161 484 637	0.896	

Diaphragm (2)



d [mm]	DN [mm]	EPDM Code	PTFE/EPDM Code	kg	
20	15	161 481 022	161 311 698	0.025	
25	20	161 481 023	161 311 699	0.035	
32	25	161 481 024	161 311 700	0.060	
40	32	161 481 025	161 311 701	0.083	
50	40	161 481 026	161 311 702	0.106	
63	50	161 481 027	161 311 703	0.150	

Pressure spindle (3)



d [mm]	DN [mm]	elastomer diaphragm Code	PTFE diaphragm Code	kg	
20	15	161 484 688	161 484 696	0.060	
25	20	161 484 689	161 484 697	0.105	
32	25	161 484 690	161 484 698	0.046	
40	32	161 484 691	161 484 699	0.062	
50	40	161 484 692	161 484 700	0.057	
63	50	161 484 693	161 484 701	0.113	

PVC-C



Fastening set (4)

d [mm]	DN [mm]	for PVC-U PVC- C ABS Code	kg
20	15	161 484 704	0.067
25	20	161 484 705	0.073
32	25	161 484 706	0.150
40	32	161 484 707	0.168
50	40	161 484 708	0.327
63	50	161 484 709	0.525



Valve body metric (5)

d [mm]	DN [mm]	PVC-C solvent cement spigot Code	kg
20	15	163 480 271	0.083
25	20	163 480 272	0.143
32	25	163 480 273	0.232
40	32	163 480 274	0.371
50	40	163 480 275	0.564
63	50	163 480 276	0.733

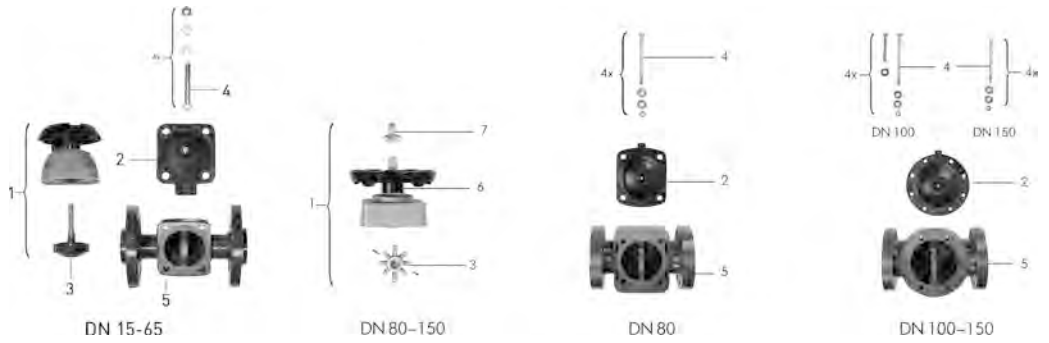


Valve body BS/ASTM (5)

Inch	DN [mm]	PVC-C solvent cement spigot Code	kg
½	15	163 480 135	0.090
¾	20	163 480 136	0.150
1	25	163 480 137	0.215
1 ¼	32	163 480 138	0.344
1 ½	40	163 480 139	0.545
2	50	163 480 140	0.846

PVC-C

Spare parts diaphragm valve type 317



Bonnet complete

Model:

- Without diaphragm (1, 3)

d [mm]	DN [mm]	elastomer diaphragm Code	PTFE diaphragm Code	kg	
20	15	161 484 625	161 484 632	0.185	
25	20	161 484 626	161 484 633	0.299	
32	25	161 484 627	161 484 634	0.367	
40	32	161 484 628	161 484 635	0.361	
50	40	161 484 629	161 484 636	0.422	
63	50	161 484 630	161 484 637	0.896	
75	65	161 484 631	161 484 638	1.526	
90	80	161 482 514	161 482 516	3.967	
110	100	161 482 515	161 482 517	5.700	
160	150	161 482 901	161 482 906	14.040	



Diaphragm (2)

d [mm]	DN [mm]	EPDM Code	PTFE/EPDM Code	kg	
20	15	161 481 022	161 311 698	0.025	
25	20	161 481 023	161 311 699	0.035	
32	25	161 481 024	161 311 700	0.060	
40	32	161 481 025	161 311 701	0.083	
50	40	161 481 026	161 311 702	0.106	
63	50	161 481 027	161 311 703	0.150	
75	65	161 481 028	161 480 240	0.252	
90	80	161 481 029	161 480 241	0.390	
110	100	161 481 030	161 480 242	0.630	
160	150	161 482 754	161 482 760	1.421	



Pressure spindel (3)

d [mm]	DN [mm]	elastomer diaphragm Code	PTFE diaphragm Code	kg	
20	15	161 484 688	161 484 696	0.060	
25	20	161 484 689	161 484 697	0.105	
32	25	161 484 690	161 484 698	0.046	
40	32	161 484 691	161 484 699	0.062	
50	40	161 484 692	161 484 700	0.057	
63	50	161 484 693	161 484 701	0.113	
75	65	161 484 694	161 484 702	0.134	
90	80	161 483 008	161 483 020	0.335	
110	100	161 483 009	161 483 021	0.495	
125	150	161 483 011	161 483 023	4.500	

PVC-C



Fastening set (4)

d [mm]	DN [mm]	for PVC-U PVC- C ABS Code	kg
20	15	161 484 704	0.067
25	20	161 484 705	0.073
32	25	161 484 706	0.150
40	32	161 484 707	0.168
50	40	161 484 708	0.327
63	50	161 484 709	0.525
75	65	161 483 032	0.679
90	80	161 483 033	0.845
110	100	161 483 034	1.440
160	150	161 483 037	0.400



Valve body with backing/flange (5)

Inch	d [mm]	DN [mm]	PVC-C metric Code	kg
½	20	15	163 480 808	0.135
¾	25	20	163 480 809	0.255
1	32	25	163 480 810	0.375
1 ¼	40	32	163 480 811	0.620
1 ½	50	40	163 480 812	1.220
2	63	50	163 480 813	1.750
2 ½	75	65	163 480 814	2.940
3	90	80	163 480 677	4.750
4	110	100	163 480 678	6.900



O-ring seal (6)

d [mm]	DN [mm]	EPDM Code
90	80	-
110	100	-
160	150	748 410 212

Indicator cap (7)

d [mm]	DN [mm]	PVC-U SAN Code	kg
90	80	161 481 759	0.032
110	100	161 481 760	0.035
160	150	161 482 744	0.010

PVC-C

Ball check valves PVC-C metric

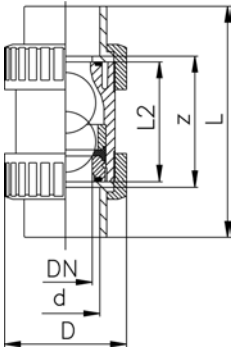
Ball check valve type 360 PVC-C

With solvent cement sockets metric



Model:

- Union ends for easy installation and removal
- Ball is sealing at a minimum water column of 2 m
- Vibration free even at high flow velocity
- Installation position horizontal or vertical



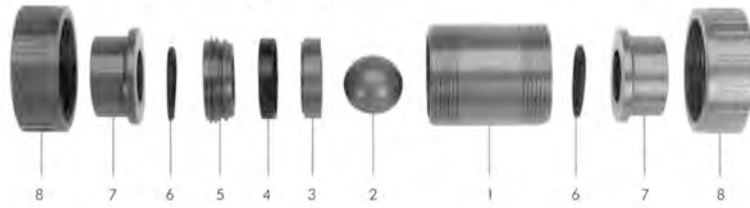
d [mm]	DN [mm]	PN	kv-value ($\Delta p=1$ bar) [l/min]	EPDM Code	FPM Code	kg	z [mm]	D [mm]	L [mm]	L2 [mm]
16	10	16	170	163 360 401	163 360 411	0.139	71	45	99	63
20	15	16	150	163 360 402	163 360 412	0.139	70	45	102	63
25	20	16	330	163 360 403	163 360 413	0.231	82	56	120	75
32	25	16	390	163 360 404	163 360 414	0.359	87	67	131	79
40	32	16	710	163 360 405	163 360 415	0.592	98	82	150	89
50	40	16	900	163 360 406	163 360 416	0.950	101	98	163	95
63	50	16	1390	163 360 407	163 360 417	1.682	121	120	197	115

PVC-C

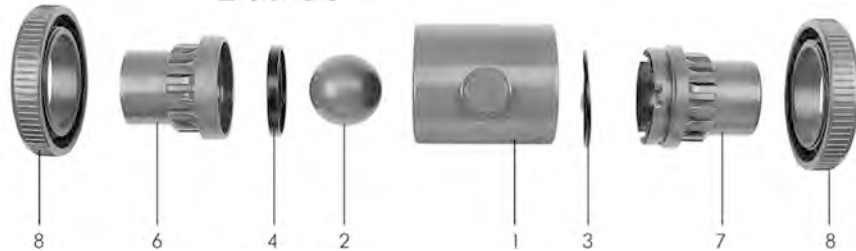
Spare parts ball check valves

Spare parts ball check valve type 360

DN 10-50



DN 80



Central part

Model:

- Central part consisting of: body (1), ball (2), support ring (3), sealing ring (4) and uni-on bush (5)

d [mm]	DN [mm]	PVC-C EPDM Code	PVC-C FPM Code	kg
16	10	163 480 645	163 480 655	0.064
20	15	163 480 646	163 480 656	0.064
25	20	163 480 647	163 480 657	0.106
32	25	163 480 648	163 480 658	0.171
40	32	163 480 649	163 480 659	0.276
50	40	163 480 650	163 480 660	0.424
63	50	163 480 651	163 480 661	0.802

Ball (2)



d [mm]	DN [mm]	PVC-U Code	PP-H with talc density 1.24 Code	PP-H 100% Code	PVDF Code	kg
16	10	161 330 304	167 481 165	167 480 024	175 480 153	0.010
20	15	161 330 304	167 481 165	167 480 024	175 480 153	0.010
25	20	161 330 354	167 481 166	167 480 025	175 480 154	0.014
32	25	161 330 404	167 481 167	167 480 026	175 480 155	0.028
40	32	161 330 454	167 481 168	167 480 027	175 480 156	0.064
50	40	161 330 504	167 481 169	167 480 028	175 480 157	0.093
63	50	161 330 554	167 481 170	167 480 029	175 480 158	0.214
90	80	161 330 654				0.475

PVC-C



Sealing ring (4)

d [mm]	DN [mm]	EPDM Code	FPM Code	kg
16	10	161 483 259	161 483 265	0.004
20	15	161 483 259	161 483 265	0.004
25	20	161 483 260	161 483 266	0.006
32	25	161 483 261	161 483 267	0.003
40	32	161 483 262	161 483 268	0.015
50	40	161 483 263	161 483 269	0.025
63	50	161 483 264	161 483 270	0.050
90	80	161 480 141	161 480 149	0.080



Face seal (6)

d [mm]	DN [mm]	EPDM Code	FPM Code	kg
16	10	748 410 042	749 410 042	0.002
20	15	748 410 042	749 410 042	0.002
25	20	748 410 116	749 410 116	0.030
32	25	748 410 103	749 410 103	0.002
40	32	748 410 027	749 410 027	0.003
50	40	748 410 010	749 410 010	0.007
63	50	748 410 011	749 410 011	0.010
90	80	748 410 099	749 410 099	0.015



Union nut (8)

d [mm]	DN [mm]	PVC-C Code	kg
16	10	163 480 995	0.021
20	15	163 480 995	0.021
25	20	163 480 081	0.036
32	25	163 480 082	0.043
40	32	163 480 083	0.077
50	40	163 480 084	0.145
63	50	163 480 085	0.303



Valve end with socket (7)

d [mm]	Inch	DN [mm]	PVC-C metric Code	kg
16	1/2	10	163 480 522	0.011
20	3/8	15	163 480 523	0.011
25	1	20	163 480 524	0.017
32	1 1/4	25	163 480 525	0.025
40	1 1/2	32	163 480 526	0.047
50	2	40	163 480 527	0.073
63	3	50	163 480 528	0.129



Seal set (4, 6)

d [mm]	DN [mm]	EPDM Code	FPM Code	kg
16	10	161 482 910	161 482 920	0.003
20	15	161 482 910	161 482 920	0.003
25	20	161 482 911	161 482 921	0.007
32	25	161 482 912	161 482 922	0.011
40	32	161 482 913	161 482 923	0.016
50	40	161 482 914	161 482 924	0.032
63	50	161 482 915	161 482 925	0.065

PVC-C



Body (1)

d [mm]	DN [mm]	PVC-U Code	kg	
90	80	161 480 158	1.790	

PVC-C

Butterfly valves PVC-C

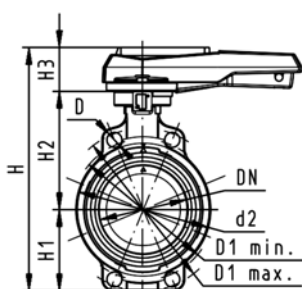
Butterfly valve type 567 PVC-C Hand lever with ratchet settings



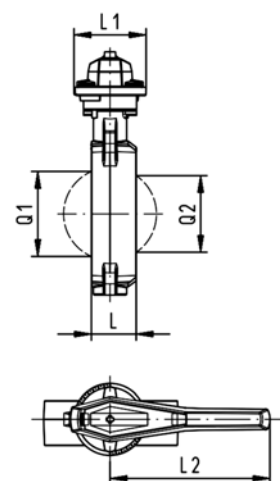
Model:

- Connecting dimension: ISO 7005 PN 10, EN 1092 PN 10, DIN 2501 PN 10, ANSI/ASME B 16.5 Class 150, BS 1560: 1989, BS 4504, JIS B 2220
- Overall length according to EN 558, ISO 5752

d [mm]	DN [mm]	Inch	PN	kv-value (Δp=1 bar) [l/min]	EPDM Code	FPM Code	kg
63	50	2	10	1470	163 567 002	163 567 022	1.400
75	65	2 ½	10	2200	163 567 003	163 567 023	1.174
90	80	3	10	3000	163 567 004	163 567 024	1.353
110	100	4	10	6500	163 567 005	163 567 025	2.043
140	125	5	10	11500	163 567 006	163 567 026	2.536
160	150	6	10	16600	163 567 007	163 567 027	3.634
225	200	8	10	39600	163 567 008	163 567 028	5.901



d [mm]	D [mm]	D1 min. [mm]	D1 max. [mm]	d2 [mm]	H [mm]	H1 [mm]	H2 [mm]	H3 [mm]	L [mm]	L1 [mm]	L2 [mm]	Q1 [mm]	Q2 [mm]
63	19	120.0	125.0	104	264	77	134	54	45	106	205	40	
75	19	139.7	145.0	115	277	83	140	54	46	106	205	54	35
90	19	150.0	160.0	131	289	89	146	54	49	106	205	67	50
110	19	175.0	190.5	161	325	104	167	55	56	106	255	88	74
140	23	210.0	215.9	187	352	117	181	55	64	106	255	113	97
160	24	241.3	241.3	215	373	130	189	55	72	106	255	139	123
225	23	290.0	295.0	267	435	158	210	67	73	140	408	178	169

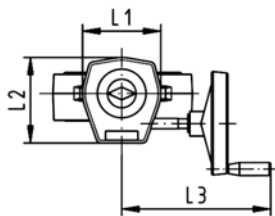
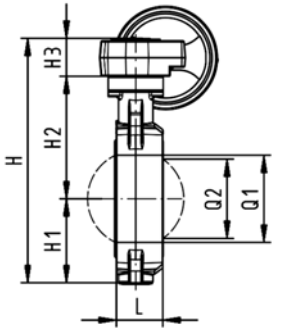
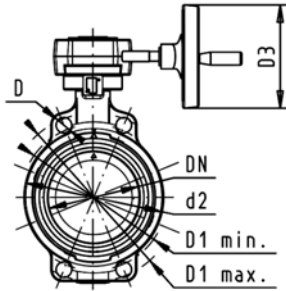


PVC-C

Butterfly valve type 567 PVC-C Reduction gear with handwheel

Model:

- Connecting dimension: ISO 7005 PN 10, EN 1092 PN 10, DIN 2501 PN 10, ANSI/ASME B 16.5 Class 150, BS 1560: 1989, BS 4504, JIS B 2220
- Overall length according to EN 558, ISO 5752



d [mm]	DN [mm]	Inch	PN	kv-value ($\Delta p=1$ bar) [l/min]	EPDM Code	FPM Code	kg
63	50	2	10	1470	163 567 042	163 567 062	3.078
75	65	2 ½	10	2200	163 567 043	163 567 063	3.212
90	80	3	10	3000	163 567 044	163 567 064	3.391
110	100	4	10	6500	163 567 045	163 567 065	4.033
140	125	5	10	11500	163 567 046	163 567 066	4.526
160	150	6	10	16600	163 567 047	163 567 067	5.624
225	200	8	10	39600	163 567 048	163 567 068	7.354

d [mm]	D [mm]	D1 min. [mm]	D1 max. [mm]	d2 [mm]	D3 [mm]	H [mm]	H1 [mm]	H2 [mm]	H3 [mm]	L [mm]	L1 [mm]	L2 [mm]	L3 [mm]	Q1 [mm]
63	19	120.0	125.0	104	160	278	77	134	60	45	120	132	236	40
75	19	139.7	145.0	115	160	291	83	140	60	46	120	132	236	54
90	19	150.0	160.0	131	160	303	89	146	60	49	120	132	236	67
110	19	175.0	190.5	160	160	339	104	167	60	56	120	132	236	88
140	23	210.0	215.9	187	160	365	117	181	60	64	120	132	236	113
160	24	241.3	241.3	215	160	387	130	189	60	72	120	132	236	139
225	23	290.0	295.0	267	160	436	158	210	60	73	120	132	236	178

d [mm]	Q2 [mm]
63	
75	35
90	50
110	74
140	97
160	123
225	169

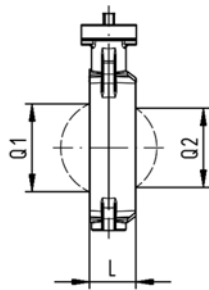
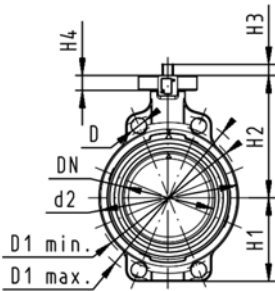
PVC-C

Butterfly valve type 567 PVC-C Bare shaft



Model:

- Connecting dimension: ISO 7005 PN 10, EN 1092 PN 10, DIN 2501 PN 10, ANSI/ASME B 16.5 Class 150, BS 1560: 1989, BS 4504, JIS B 2220
- Overall length according to EN 558, ISO 5752
- Interface F07 according to DIN/ISO 5211



d [mm]	DN [mm]	Inch	PN	kv-value (Δp=1 bar) [l/min]	EPDM Code	FPM Code	kg
63	50	2	10	1470	163 567 802	163 567 822	0.835
75	65	2 ½	10	2200	163 567 803	163 567 823	0.952
90	80	3	10	3000	163 567 804	163 567 824	1.131
110	100	4	10	6500	163 567 805	163 567 825	1.773
140	125	5	10	11500	163 567 806	163 567 826	2.379
160	150	6	10	16600	163 567 807	163 567 827	3.364
225	200	8	10	39600	163 567 808	163 567 828	5.094

d [mm]	D [mm]	D1 min. [mm]	D1 max. [mm]	d2 [mm]	D3 [mm]	D4 [mm]	H [mm]	H1 [mm]	H2 [mm]	H3 [mm]	H4 [mm]	H5 [mm]	L [mm]	Q1 [mm]	Q2 [mm]
63	19	120.0	125.0	104	70	90	222	77	134	27	23	11	45	40	
75	19	139.7	145.0	115	70	90	235	83	140	27	23	11	46	54	35
90	19	150.0	160.0	131	70	90	247	89	146	27	23	11	49	67	50
110	19	175.0	190.5	161	70	90	287	104	167	16	23	14	56	88	74
140	23	210.0	215.9	187	70	90	313	117	181	16	23	14	64	113	97
160	24	241.3	241.3	215	70	90	335	130	189	19	23	17	72	139	123
225	23	290.0	295.0	267	70	90	387	158	210	19	23	17	73	178	169

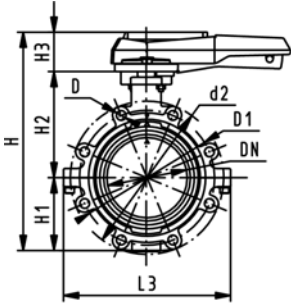
PVC-C

Lugstyle butterfly valve type 568 PVC-C Hand lever with ratchet settings

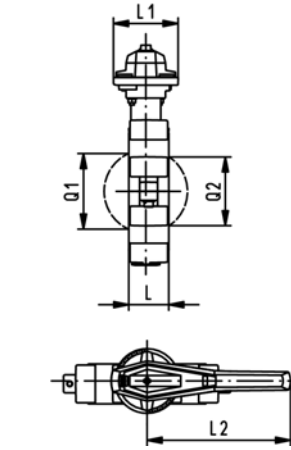


Model:

- Outer body in GGG-40.3 epoxy-coated
- Connecting dimension: ISO 7005 PN10, EN 1092 PN10, DIN 2501 PN10
- Overall length according to EN 558, ISO 5752



d [mm]	DN [mm]	Inch	PN	kv-value ($\Delta p=1$ bar) [l/min]	EPDM Code	FPM Code	kg
63	50	2	10	1470	163 568 002	163 568 022	3.143
75	65	2 ½	10	2200	163 568 003	163 568 023	3.510
90	80	3	10	3000	163 568 004	163 568 024	4.564
110	100	4	10	6500	163 568 005	163 568 025	6.127
140	125	5	10	11500	163 568 006	163 568 026	8.115
160	150	6	10	16600	163 568 007	163 568 027	10.094
225	200	8	10	39600	163 568 008	163 568 028	15.849



d [mm]	d2 [mm]	D	D1 [mm]	H [mm]	H1 [mm]	H2 [mm]	H3 [mm]	L [mm]	L1 [mm]	L2 [mm]	L3 [mm]	Q1 [mm]	Q2 [mm]
63	150	M16	125	265	77	134	54	45	106	205	150	40	
75	170	M16	145	277	83	140	54	46	106	205	160	54	35
90	184	M16	160	289	89	146	54	49	106	205	205	67	50
110	216	M16	180	326	104	167	55	56	106	255	244	88	74
140	246	M16	210	353	117	181	55	64	106	255	272	113	97
160	273	M20	240	374	130	189	55	72	106	255	297	139	123
225	334	M20	295	435	158	210	67	73	140	408	360	178	169

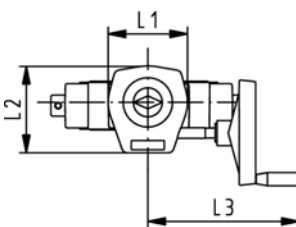
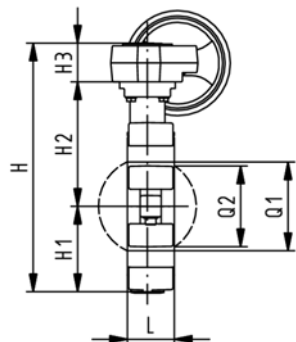
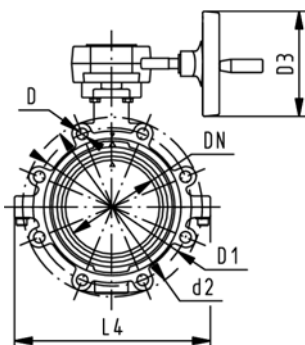
PVC-C

Lugstyle butterfly valve type 568 PVC-C Reduction gear with handwheel



Model:

- Outer body in GGG-40.3 epoxy-coated
- Connecting dimension: ISO 7005 PN10, EN 1092 PN10, DIN 2501 PN10
- Overall length according to EN 558, ISO 5752



d [mm]	DN [mm]	Inch	PN	kv-value ($\Delta p=1$ bar) [l/min]	EPDM Code	FPM Code	kg
63	50	2	10	1470	163 568 042	163 568 062	5.181
75	65	2 1/2	10	2200	163 568 043	163 568 063	5.548
90	80	3	10	3000	163 568 044	163 568 064	6.602
110	100	4	10	6500	163 568 045	163 568 065	8.117
140	125	5	10	11500	163 568 046	163 568 066	10.105
160	150	6	10	16600	163 568 047	163 568 067	12.084
225	200	8	10	39600	163 568 048	163 568 068	17.302

d [mm]	d2 [mm]	D	D1 [mm]	D3 [mm]	H [mm]	H1 [mm]	H2 [mm]	H3 [mm]	L [mm]	L1 [mm]	L2 [mm]	L3 [mm]	L4 [mm]	Q1 [mm]	Q2 [mm]
63	150	M16	125	160	279	77	134	60	45	120	132	236	150	40	
75	170	M16	145	160	291	83	140	60	46	120	132	236	160	54	35
90	184	M16	160	160	303	89	146	60	49	120	132	236	205	67	50
110	216	M16	180	160	339	104	167	60	56	120	132	236	244	88	74
140	246	M16	210	160	366	117	181	60	64	120	132	236	272	113	97
160	273	M20	240	160	387	130	189	60	72	120	132	236	297	139	123
225	334	M20	295	160	436	158	210	60	73	120	132	236	360	178	169

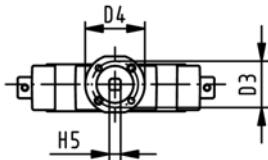
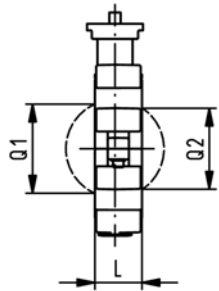
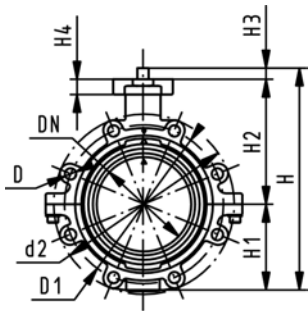
PVC-C

Lugstyle butterfly valve type 568 PVC-C Bare shaft



Model:

- Outer body in GGG-40.3 epoxy-coated
- Connecting dimension: ISO 7005 PN10, EN 1092 PN10, DIN 2501 PN10
- Overall length according to EN 558, ISO 5752
- Interface F07 according to DIN/ISO 5211



d [mm]	DN [mm]	Inch	PN	kv-value ($\Delta p=1$ bar) [l/min]	EPDM Code	FPM Code	kg
63	50	2	10	1470	163 568 802	163 568 822	2.921
75	65	2 ½	10	2200	163 568 803	163 568 823	3.288
90	80	3	10	3000	163 568 804	163 568 824	4.342
110	100	4	10	6500	163 568 805	163 568 825	5.857
140	125	5	10	11500	163 568 806	163 568 826	7.845
160	150	6	10	16600	163 568 807	163 568 827	9.824
225	200	8	10	39600	163 568 808	163 568 828	15.042

d [mm]	d2 [mm]	D	D1 [mm]	D3 [mm]	D4 [mm]	H [mm]	H1 [mm]	H2 [mm]	H3 [mm]	H4 [mm]	L [mm]	Q1 [mm]	Q2 [mm]
63	150	M16	125	70	90	222	77	134	27	23	45	40	
75	170	M16	145	70	90	235	83	140	27	23	46	54	35
90	184	M16	160	70	90	247	89	146	27	23	49	67	50
110	216	M16	180	70	90	287	104	167	16	23	56	88	74
140	246	M16	210	70	90	313	117	181	16	23	64	113	97
160	273	M20	240	70	90	335	130	189	19	23	72	139	123
225	334	M20	295	70	90	387	158	210	19	23	73	178	169

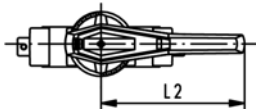
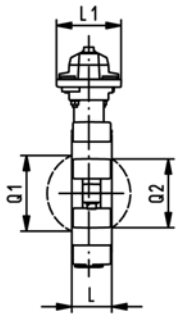
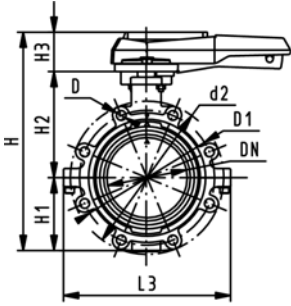
PVC-C

Lugstyle butterfly valve type 568 PVC-C Hand lever with ratchet settings



Model:

- Outer body in GGG-40.3 epoxy-coated
- Connecting dimension ANSI/ASME B 16.5 Class 150
- Overall length according to EN 558, ISO 5752

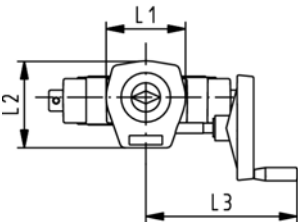
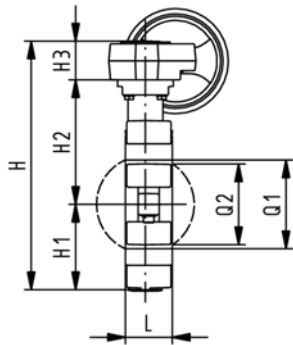
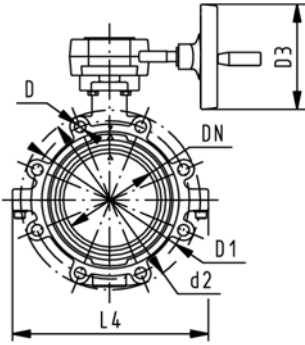


Inch	d [mm]	DN [mm]	PN	kv-value ($\Delta p=1$ bar) [l/min]	EPDM Code	FPM Code	kg
2	63	50	10	1470	163 568 102	163 568 122	3.143
2 ½	75	65	10	2200	163 568 103	163 568 123	3.510
3	90	80	10	3000	163 568 104	163 568 124	3.935
4	110	100	10	6500	163 568 105	163 568 125	6.127
5	140	125	10	11500	163 568 106	163 568 126	8.115
6	160	150	10	16600	163 568 107	163 568 127	10.094
8	225	200	10	39600	163 568 108	163 568 128	15.849

Inch	d2 [mm]	D	D1 [mm]	H [mm]	H1 [mm]	H2 [mm]	H3 [mm]	L [mm]	L1 [mm]	L2 [mm]	L3 [mm]	Q1 [mm]	Q2 [mm]
2	150	UNC 5/8	121	265	77	134	54	45	106	205	150	40	
2 ½	170	UNC 5/8	138	277	83	140	54	46	106	205	160	54	35
3	177	UNC 5/8	152	289	89	146	54	49	106	205	175	67	50
4	216	UNC 5/8	191	326	104	167	55	56	106	255	244	88	74
5	246	UNC 3/4	216	353	117	181	55	64	106	255	272	113	97
6	273	UNC 3/4	241	374	130	189	55	72	106	255	297	139	123
8	334	UNC 3/4	298	435	158	210	67	73	140	408	360	178	169

PVC-C

Lugstyle butterfly valve type 568 PVC-C Reduction gear with handwheel



Model:

- Outer body in GGG-40.3 epoxy-coated
- Connecting dimension ANSI/ASME B 16.5 Class 150
- Overall length according to EN 558, ISO 5752

Inch	d [mm]	DN [mm]	PN	kv-value ($\Delta p=1$ bar) [l/min]	EPDM Code	FPM Code	kg
2	63	50	10	1470	163 568 142	163 568 162	5.181
2 1/2	75	65	10	2200	163 568 143	163 568 163	5.548
3	90	80	10	3000	163 568 144	163 568 164	5.973
4	110	100	10	6500	163 568 145	163 568 165	8.117
5	140	125	10	11500	163 568 146	163 568 166	10.105
6	160	150	10	16600	163 568 147	163 568 167	12.084
8	225	200	10	39600	163 568 148	163 568 168	17.302

Inch	d2 [mm]	D	D1 [mm]	D3 [mm]	H [mm]	H1 [mm]	H2 [mm]	H3 [mm]	L [mm]	L1 [mm]	L2 [mm]	L3 [mm]	L4 [mm]	Q1 [mm]
2	150	UNC 5/8	121	160	279	77	134	60	45	120	132	236	150	40
2 1/2	170	UNC 5/8	138	160	291	83	140	60	46	120	132	236	160	54
3	177	UNC 5/8	152	160	303	89	146	60	49	120	132	236	175	67
4	216	UNC 5/8	191	160	339	104	167	60	56	120	132	236	244	88
5	246	UNC 3/4	216	160	366	117	181	60	64	120	132	236	272	113
6	273	UNC 3/4	241	160	387	130	189	60	72	120	132	236	297	139
8	334	UNC 3/4	298	160	436	158	210	60	73	120	132	236	360	178

Inch	Q2 [mm]
2	
2 1/2	35
3	50
4	74
5	97
6	123
8	169

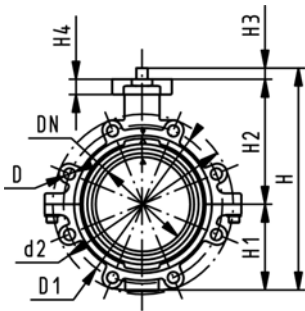
PVC-C

Lugstyle butterfly valve type 568 PVC-C Bare shaft

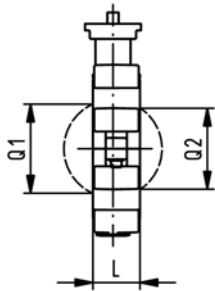


Model:

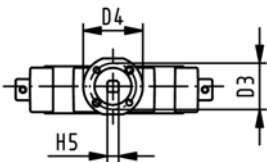
- Outer body in GGG-40.3 epoxy-coated
- Connecting dimension ANSI/ASME B 16.5 Class 150
- Overall length according to EN 558, ISO 5752
- Interface F07 according to DIN/ISO 5211



Inch	d [mm]	DN [mm]	PN	kv-value (Δp=1 bar) [l/min]	EPDM Code	FPM Code	kg
2	63	50	10	1470	163 568 902	163 568 922	2.921
2 ½	75	65	10	2200	163 568 903	163 568 923	3.288
3	90	80	10	3000	163 568 904	163 568 924	3.713
4	110	100	10	6500	163 568 905	163 568 925	5.857
5	140	125	10	11500	163 568 906	163 568 926	7.845
6	160	150	10	16600	163 568 907	163 568 927	9.824
8	225	200	10	39600	163 568 908	163 568 928	15.042



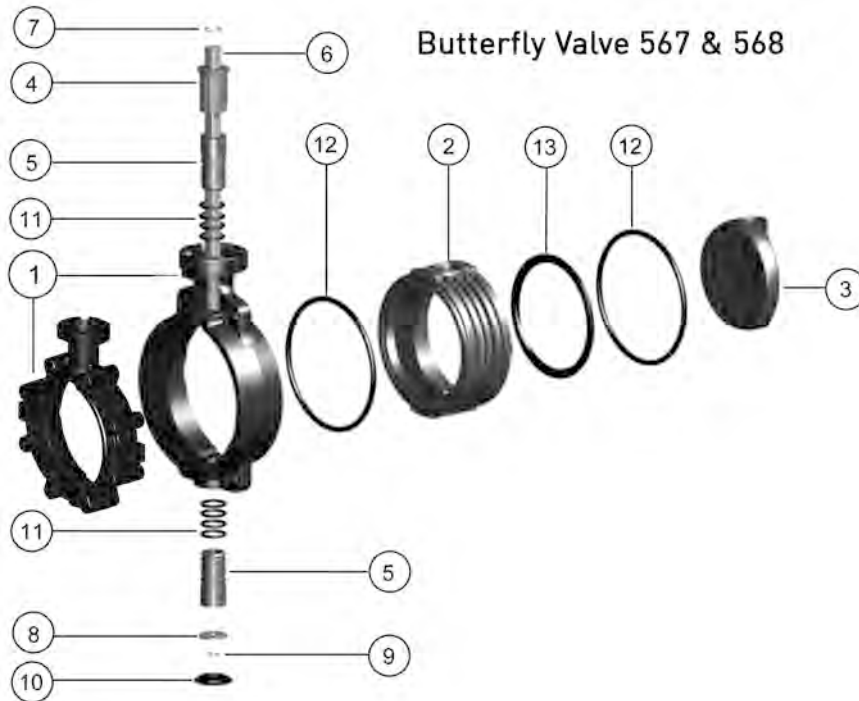
Inch	d2 [mm]	D	D1 [mm]	D3 [mm]	D4 [mm]	H [mm]	H1 [mm]	H2 [mm]	H3 [mm]	H4 [mm]	L [mm]	Q1 [mm]	Q2 [mm]
2	150	UNC 5/8	121	70	90	222	77	134	27	23	45	40	
2 ½	170	UNC 5/8	138	70	90	235	83	140	27	23	46	54	35
3	177	UNC 5/8	152	70	90	247	89	146	27	23	49	67	50
4	216	UNC 5/8	191	70	90	287	104	167	16	23	56	88	74
5	246	UNC 3/4	216	70	90	313	117	181	16	23	64	113	97
6	273	UNC 3/4	241	70	90	335	130	189	19	23	72	139	123
8	334	UNC 3/4	298	70	90	387	158	210	19	23	73	178	169



PVC-C

Spare parts butterfly valves

Spare parts butterfly valve type 567/568



Inner body

Model:

- Inner body consisting of: inner body (2) and profile seal (13)



d [mm]	DN [mm]	PVC-C EPDM Code	kg
63	50	163 481 591	0.159
75	65	163 481 592	0.191
90	80	163 481 593	0.264
110	100	163 481 594	0.484
140	125	163 481 595	0.716
160	150	163 481 596	0.887
225	200	163 481 597	1.528

Flange gasket (12)

Model:

- included in delivery 2 pcs.



d [mm]	DN [mm]	EPDM Code	FPM Code	kg
63	50	161 486 959	161 486 979	0.012
75	65	161 486 960	161 486 980	0.014
90	80	161 486 961	161 486 981	0.016
110	100	161 486 962	161 486 982	0.036
125	125	161 486 963	161 486 983	0.043
160	150	161 486 964	161 486 984	0.050
225	200	161 486 965	161 486 985	0.064
280	250	161 486 966	161 486 986	0.091
315	300	161 486 967	161 486 987	0.104

PVC-C



Disc (3)

d [mm]	DN [mm]	PVC-C Code	kg
63	50	163 481 451	0.037
75	65	163 481 452	0.070
90	80	163 481 453	0.112
110	100	163 481 454	0.215
140	125	163 481 455	0.387
160	150	163 481 456	0.000
225	200	163 481 457	0.000



Bearing bush (5, 11)

Model:

- included in delivery 2 pcs.
- With O-ring

d [mm]	DN [mm]	PVC-C EPDM Code	PVC-C FPM Code	kg
63	50	163 481 576	163 481 582	0.033
75	65	163 481 576	163 481 582	0.033
90	80	163 481 576	163 481 582	0.033
110	100	163 481 577	163 481 583	0.059
140	125	163 481 577	163 481 583	0.059
160	150	163 481 578	163 481 584	0.126
225	200	163 481 578	163 481 584	0.126



End stop PP glasfiber reinforced (4)

d [mm]	DN [mm]	Code	kg
63	50	167 483 251	0.023
75	65	167 483 251	0.023
90	80	167 483 251	0.023
110	100	167 483 252	0.033
140	125	167 483 252	0.033
160	150	167 483 253	0.049
225	200	167 483 253	0.049
280	250	167 483 254	0.096
315	300	167 483 254	0.096



Shaft set

Model:

- Shaft set consisting of: shaft chrom steel 1.4301 AISI 304 (6), retention ring (7, 9) and washer (8)

DN [mm]	d [mm]	Code	kg
50	63	161 486 899	0.225
65	75	161 486 900	0.237
80	90	161 486 901	0.249
100	110	161 486 902	0.429
125	140	161 486 903	0.469
150	160	161 486 904	0.749
200	225	161 486 905	0.844
250	280	161 486 906	0.000
300	315	161 486 907	2.536

PVC-C

Lever



d [mm]	DN [mm]	with index plate Code	with fine adjustment Code	kg	
63	50	161 486 690	161 486 325	0.485	
75	65	161 486 690	161 486 325	0.485	
90	80	161 486 690	161 486 325	0.485	
110	100	161 486 691	161 486 326	0.540	
140	125	161 486 691	161 486 326	0.540	
160	150	161 486 694	161 486 327	0.537	
225	200	161 486 695	161 486 328	1.375	
280	250	161 486 697		0.330	
315	300	161 486 697		0.330	

PVC-C

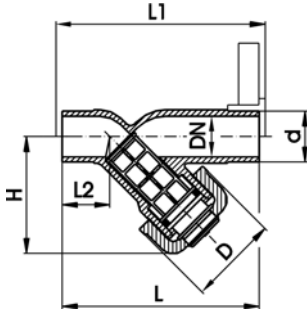
Strainers PVC-C metric



Line strainer type 305 PVC-C With solvent cement spigots metric

Model:

- Protects valves, pumps, etc. from becoming soiled
- Easy dismantling for cleaning the screens
- Cylindrical screen must be ordered separately
- Overall length EN 558

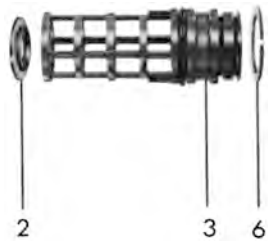
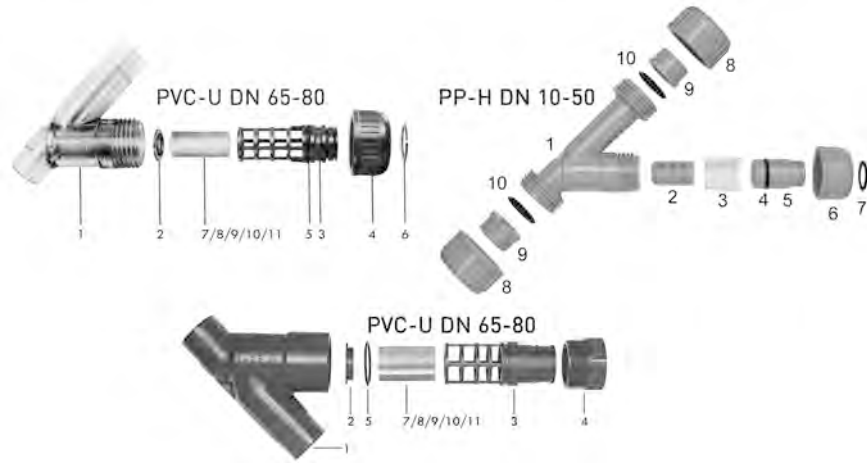


d [mm]	DN [mm]	PN	EPDM Code	FPM Code	kg	D [mm]	L [mm]	L1 [mm]	L2 [mm]	H [mm]
20	15	10	163 305 302	163 305 317	0.120	48	124	130	28	65
25	20	10	163 305 303	163 305 318	0.160	54	144	150	37	76
32	25	10	163 305 304	163 305 319	0.250	62	154	160	37	90
40	32	10	163 305 305	163 305 320	0.640	71	174	180	44	104
50	40	10	163 305 306	163 305 321	0.640	88	194	200	48	124
63	50	10	163 305 307	163 305 322	1.060	103	224	230	60	148

PVC-C

Spare parts line strainer

Spare parts line strainer type 305/306



Screen set

Model:

- Screen set PVC-U DN10-DN50 consisting of: screen (3), screen support ring (2) and circlip (6), PVC-U DN65-DN80: screen (3) and screen support ring (2). PP-H DN15-DN50: screen basket compl. without screen (2) and circlip (7)



d [mm]	DN [mm]	PVC-U Code	kg
20	15	161 483 126	0.110
25	20	161 483 127	0.070
32	25	161 483 128	0.255
40	32	161 483 129	0.135
50	40	161 483 130	0.140
63	50	161 483 131	0.140
75	65	161 483 132	0.490
90	80	161 483 133	0.390



Body (1)

d [mm]	DN [mm]	PVC-C Code	kg
20	15	163 481 075	0.046
25	20	163 481 076	0.079
32	25	163 481 077	0.125
40	32	163 481 078	0.177
50	40	163 481 079	0.303
63	50	163 481 080	0.514

PVC-C

Screen cage

Model:

- Screen cage in PVC-U (3) and PP-H (2)



d [mm]	DN [mm]	PVC-C Code	kg
20	15	163 481 102	0.018
25	20	163 481 103	0.024
32	25	163 481 104	0.035
40	32	163 481 105	0.055
50	40	163 481 106	0.088
63	50	163 481 107	0.132

Valve nut

Model:

- Union nut PVC-U DN10-DN50 (4), PP-H (6, 8)



d [mm]	DN [mm]	Cap nut PVC-C Code	kg
20	15	163 481 084	0.025
25	20	163 481 085	0.027
32	25	163 481 086	0.029
40	32	163 481 087	0.035
50	40	163 481 088	0.064
63	50	163 481 089	0.099

Body seal

Model:

- Body seal vor PVC-U (5), PP-H (10)



d [mm]	DN [mm]	EPDM Code	FPM Code	kg
20	15	748 410 006	749 410 006	0.002
25	20	748 410 001	749 410 001	0.002
32	25	748 410 007	749 410 007	0.002
40	32	748 410 002	749 410 002	0.003
50	40	748 410 003	749 410 003	0.007
63	50	748 410 012	749 410 012	0.008
75	65	748 410 013	749 410 013	0.011
90	80	748 410 014	749 410 014	0.012

Screen perforation

Model:

- For PVC-U (7), PP-H (3)



d [mm]	DN [mm]	PVC-U 0.5mm Code	PVC-U 0.8mm Code	PVC-U 1.4mm Code	PVC-U 2.2mm Code
20	15	161 305 339	161 305 338	161 305 337	161 305 336
25	20	161 305 389	161 305 388	161 305 387	161 305 386
32	25	161 305 439	161 305 438	161 305 437	161 305 436
40	32	161 305 489	161 305 488	161 305 487	161 305 486
50	40	161 305 539	161 305 538	161 305 537	161 305 536
63	50	161 305 589	161 305 588	161 305 587	161 305 586
75	65	161 305 639	161 305 638	161 305 637	161 305 636
90	80	161 305 689	161 305 688	161 305 687	161 305 686

PVC-C

d [mm]	DN [mm]	stainless steel 0.5mm Code	kg	
20	15	161 486 100	0.002	
25	20	161 486 101	0.004	
32	25	161 486 102	0.006	
40	32	161 486 103	0.009	
50	40	161 486 104	0.014	
63	50	161 486 105	0.022	
75	65	161 486 106	0.026	
90	80	161 486 107	0.036	

PVC-C

Ball valves electric

Ball valve type 107 PVC-C 100-230V With manual emergency override With solvent cement sockets metric



DN10/15 - 50

Model:

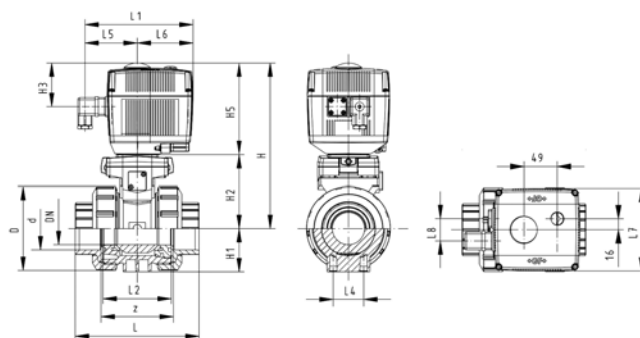
- Built on with electric actuator EA11
- Voltage 100-230 V, 50-60 Hz
- Control range 90°<
- Control time 5 s/90°<
- For easy installation and removal
- Integrated stainless steel mounting inserts

Option:

- Individual configuration of the valve (see form)

d [mm]	DN [mm]	PN	kv-value (Δp=1 bar) [l/min]	EPDM Code	FPM Code	kg
16	10	10	70	199 107 102	199 107 112	1.770
20	15	10	185	199 107 103	199 107 113	1.780
25	20	10	350	199 107 104	199 107 114	1.860
32	25	10	700	199 107 105	199 107 115	1.950
40	32	10	1000	199 107 106	199 107 116	2.190
50	40	10	1600	199 107 107	199 107 117	2.360
63	50	10	3100	199 107 108	199 107 118	3.140

d [mm]	D [mm]	H [mm]	H1 [mm]	H2 [mm]	H3 [mm]	H5 [mm]	L [mm]	L1 [mm]	L2 [mm]	L4 [mm]	L5 [mm]	L6 [mm]	L7 [mm]	L8 [mm]	z [mm]
16	50	200	27	64	64	137	92	161	56	25	77	83	122	33	64
20	50	200	27	64	64	137	95	161	56	25	77	83	122	33	64
25	58	209	30	73	64	137	110	161	65	25	77	83	122	33	72
32	68	209	36	73	64	137	123	161	71	25	77	83	122	33	79
40	84	220	44	64	64	137	146	161	85	45	77	83	122	33	94
50	97	220	51	84	64	137	157	161	89	45	77	83	122	33	95
63	124	243	64	106	64	137	183	161	101	45	77	83	122	33	107



PVC-C



DN10/15 - 50

Ball valve type 107 PVC-C 24V With manual emergency override With solvent cement sockets metric

Model:

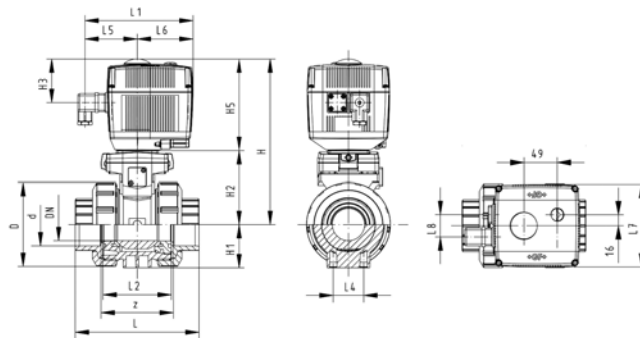
- Built on with electric actuator EA11
- Voltage 24 V AC/DC
- Control range 90°<
- Control time 5 s/90°<
- For easy installation and removal
- Integrated stainless steel mounting inserts

Option:

- Individual configuration of the valve (see form)

d [mm]	DN [mm]	PN	kv-value ($\Delta p=1$ bar) [l/min]	EPDM Code	FPM Code	kg
16	10	10	70	199 107 142	199 107 152	1.770
20	15	10	185	199 107 143	199 107 153	1.780
25	20	10	350	199 107 144	199 107 154	1.860
32	25	10	700	199 107 145	199 107 155	1.950
40	32	10	1000	199 107 146	199 107 156	2.190
50	40	10	1600	199 107 147	199 107 157	2.360
63	50	10	3100	199 107 148	199 107 158	3.140

d [mm]	D [mm]	H [mm]	H1 [mm]	H2 [mm]	H3 [mm]	H5 [mm]	L [mm]	L1 [mm]	L2 [mm]	L4 [mm]	L5 [mm]	L6 [mm]	L7 [mm]	L8 [mm]	z [mm]
16	50	200	27	64	64	137	92	161	56	25	77	83	122	33	64
20	50	200	27	64	64	137	95	161	56	25	77	83	122	33	64
25	58	209	30	73	64	137	110	161	65	25	77	83	122	33	72
32	68	209	36	73	64	137	123	161	71	25	77	83	122	33	79
40	84	220	44	84	64	137	146	161	85	45	77	83	122	33	94
50	97	220	51	84	64	137	157	161	89	45	77	83	122	33	95
63	124	243	64	106	64	137	183	161	101	45	77	83	122	33	107



PVC-C



DN10/15 - 50

Ball valve type 107 PVC-C 100-230V With manual emergency override With solvent cement spigots metric

Model:

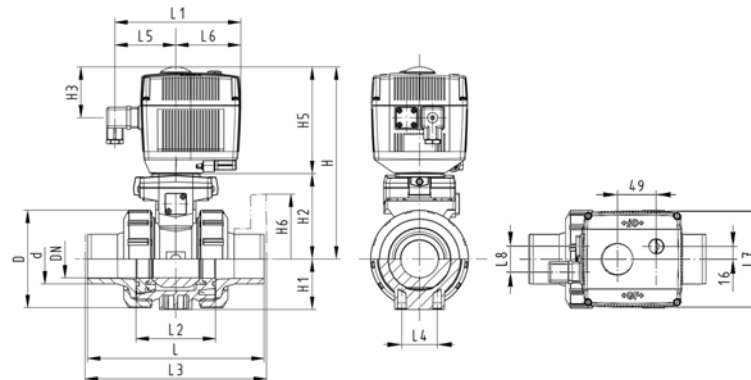
- Built on with electric actuator EA11
- Voltage 100-230 V, 50-60 Hz
- Control range 90°<
- Control time 5 s/90°<
- For easy installation and removal
- Integrated stainless steel mounting inserts

Option:

- Individual configuration of the valve (see form)

d [mm]	DN [mm]	PN	kv-value ($\Delta p=1$ bar) [l/min]	EPDM Code	FPM Code	kg
16	10	10	70	199 107 122	199 107 132	1.770
20	15	10	185	199 107 123	199 107 133	1.780
25	20	10	350	199 107 124	199 107 134	1.860
32	25	10	700	199 107 125	199 107 135	1.950
40	32	10	1000	199 107 126	199 107 136	2.190
50	40	10	1600	199 107 127	199 107 137	2.360
63	50	10	3100	199 107 128	199 107 138	3.140

d [mm]	D [mm]	H [mm]	H1 [mm]	H2 [mm]	H3 [mm]	H5 [mm]	L [mm]	L1 [mm]	L2 [mm]	L3 [mm]	L4 [mm]	L5 [mm]	L6 [mm]	L7 [mm]	L8 [mm]
16	50	200	27	64	64	137	114	161	56	130	25	77	83	122	33
20	50	200	27	64	64	137	124	161	56	130	25	77	83	122	33
25	58	209	30	73	64	137	144	161	65	150	25	77	83	122	33
32	68	209	36	73	64	137	154	161	71	160	25	77	83	122	33
40	84	220	44	84	64	137	174	161	85	180	45	77	83	122	33
50	97	220	51	84	64	137	194	161	89	200	45	77	83	122	33
63	124	243	64	106	64	137	224	161	101	230	45	77	83	122	33



PVC-C

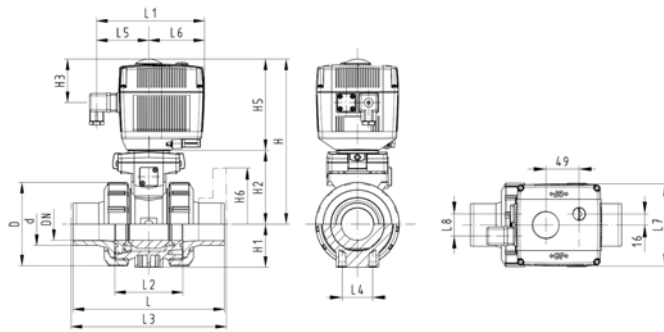


DN10/15 - 50

Ball valve type 107 PVC-C 24V With manual emergency override With solvent cement spigots metric

d [mm]	DN [mm]	PN	kv-value (Δp=1 bar) [l/min]	EPDM Code	FPM Code	kg
16	10	10	70	199 107 162	199 107 172	1.770
20	15	10	185	199 107 163	199 107 173	1.780
25	20	10	350	199 107 164	199 107 174	1.860
32	25	10	700	199 107 165	199 107 175	1.950
40	32	10	1000	199 107 166	199 107 176	2.190
50	40	10	1600	199 107 167	199 107 177	2.360
63	50	10	3100	199 107 168	199 107 178	3.140

d [mm]	D [mm]	H [mm]	H1 [mm]	H2 [mm]	H3 [mm]	H5 [mm]	L [mm]	L1 [mm]	L2 [mm]	L3 [mm]	L4 [mm]	L5 [mm]	L6 [mm]	L7 [mm]	L8 [mm]
16	50	200	27	64	64	137	114	161	56	130	25	77	83	122	33
20	50	200	27	64	64	137	124	161	56	130	25	77	83	122	33
25	58	209	30	73	64	137	144	161	65	150	25	77	83	122	33
32	68	209	36	73	64	137	154	161	71	160	25	77	83	122	33
40	84	220	44	84	64	137	174	161	85	180	45	77	83	122	33
50	97	220	51	84	64	137	194	161	89	200	45	77	83	122	33
63	124	243	64	106	64	137	224	161	101	230	45	77	83	122	33



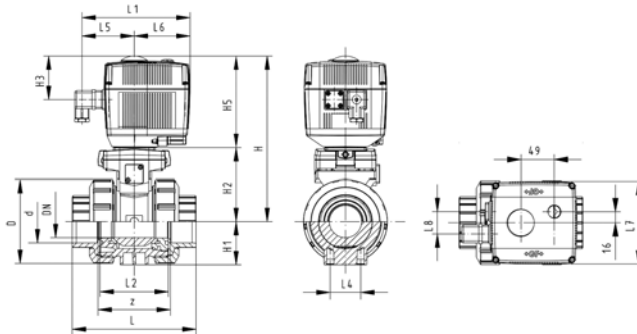
DN10/15 - 50

Ball valve type 107 PVC-C 100-230V With manual emergency override With threaded sockets Rp

Rp [inch]	DN [mm]	PN	kv-value (Δp=1 bar) [l/min]	EPDM Code	FPM Code	kg
3/8	10	10	70	199 107 702	199 107 712	2.100
1/2	15	10	185	199 107 703	199 107 713	2.100
3/4	20	10	350	199 107 704	199 107 714	2.200
1	25	10	700	199 107 705	199 107 715	2.300
1 1/4	32	10	1000	199 107 706	199 107 716	2.600
1 1/2	40	10	1600	199 107 707	199 107 717	3.000
2	50	10	3100	199 107 708	199 107 718	3.800

PVC-C

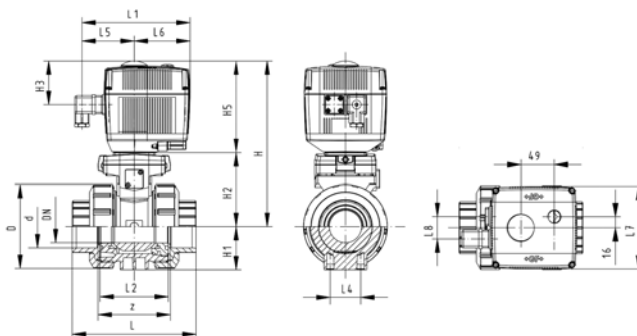
Rp [inch]	D [mm]	H [mm]	H1 [mm]	H2 [mm]	H3 [mm]	H5 [mm]	L [mm]	L1 [mm]	L2 [mm]	L4 [mm]	L5 [mm]	L6 [mm]	L7 [mm]	L8 [mm]	z [mm]
3/8	50	200	27	64	64	137	92	161	56	25	77	83	122	33	64
1/2	50	200	27	64	64	137	95	161	56	25	77	83	122	33	64
3/4	58	209	30	73	64	137	110	161	65	25	77	83	122	33	72
1	68	209	36	73	64	137	123	161	71	25	77	83	122	33	79
1 1/4	84	220	44	84	64	137	146	161	85	45	77	83	122	33	94
1 1/2	97	220	51	84	64	137	157	161	89	45	77	83	122	33	95
2	124	243	64	106	64	137	183	161	101	45	77	83	122	33	107



Ball valve type 107 PVC-C 24V With manual emergency override With threaded sockets Rp

Rp [inch]	DN [mm]	PN	kv-value ($\Delta p=1$ bar) [l/min]	EPDM Code	FPM Code	kg
3/8	10	10	70	199 107 742	199 107 752	2.100
1/2	15	10	185	199 107 743	199 107 753	2.100
3/4	20	10	350	199 107 744	199 107 754	2.200
1	25	10	700	199 107 745	199 107 755	2.300
1 1/4	32	10	1000	199 107 746	199 107 756	2.600
1 1/2	40	10	1600	199 107 747	199 107 757	3.000
2	50	10	3100	199 107 748	199 107 758	3.800

Rp [inch]	D [mm]	H [mm]	H1 [mm]	H2 [mm]	H3 [mm]	H5 [mm]	L [mm]	L1 [mm]	L2 [mm]	L4 [mm]	L5 [mm]	L6 [mm]	L7 [mm]	L8 [mm]	z [mm]
3/8	50	200	27	64	64	137	92	161	56	25	77	83	122	33	64
1/2	50	200	27	64	64	137	95	161	56	25	77	83	122	33	64
3/4	58	209	30	73	64	137	110	161	65	25	77	83	122	33	72
1	68	209	36	73	64	137	123	161	71	25	77	83	122	33	79
1 1/4	84	220	44	84	64	137	146	161	85	45	77	83	122	33	94
1 1/2	97	220	51	84	64	137	157	161	89	45	77	83	122	33	95
2	124	243	64	106	64	137	183	161	101	45	77	83	122	33	107



PVC-C

Ball valve type 130 PVC-C 100-230V With manual emergency override With solvent cement sockets metric



DN10/15 - 50



Model:

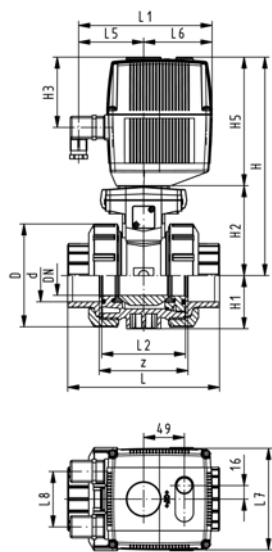
- Assignment of actuators: EA21 (DN10/15-50), EA31 (DN65-100 if available)
- For easy installation and removal
- Integrated stainless steel mounting inserts
- Voltage 100-230 V, 50-60 Hz
- Control range 90°<
- Control time: EA21: 5s/90°<, EA31: 15s/90°<

Option:

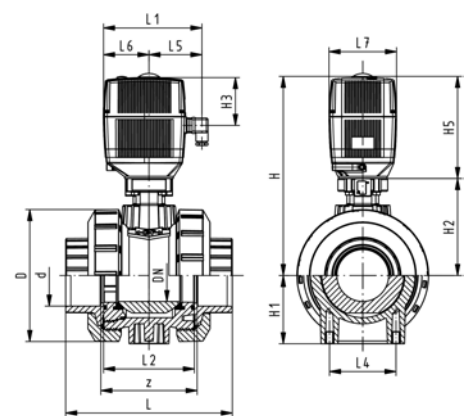
- Individual configuration of the valve (see form)

d [mm]	DN [mm]	PN	kv-value (Δp=1 bar) [l/min]	EPDM Code	FPM Code	kg
16	10	10	70	199 130 402	199 130 412	2.100
20	15	10	185	199 130 403	199 130 413	2.100
25	20	10	350	199 130 404	199 130 414	2.200
32	25	10	700	199 130 405	199 130 415	2.300
40	32	10	1000	199 130 406	199 130 416	2.600
50	40	10	1600	199 130 407	199 130 417	3.000
63	50	10	3100	199 130 408	199 130 418	3.800
75	65	10	5000	199 130 409	199 130 419	4.000
90	80	10	7000	199 130 410	199 130 420	5.100
110	100	10	11000	199 130 411	199 130 421	6.700

d [mm]	D [mm]	H [mm]	H1 [mm]	H2 [mm]	H3 [mm]	H5 [mm]	L [mm]	L1 [mm]	L2 [mm]	L4 [mm]	L5 [mm]	L6 [mm]	L7 [mm]	z [mm]
16	50	231	27	64	94	167	92	180	56	25	97	83	122	64
20	50	231	27	64	94	167	95	180	56	25	97	83	122	64
25	58	240	30	73	94	167	110	180	65	25	97	83	122	72
32	68	240	36	73	94	167	123	180	71	25	97	83	122	79
40	84	251	44	84	94	167	146	180	85	45	97	83	122	94
50	97	251	51	84	94	167	157	180	89	45	97	83	122	95
63	124	273	64	106	94	167	183	180	101	45	97	83	122	107
75	166	346	85	156	94	190	233	180	136	70	98	83	122	144
90	200	358	105	168	94	190	254	180	141	70	98	83	122	151
110	238	365	123	175	94	190	301	180	164	120	98	83	122	174



DN10/15-50



DN65-100

PVC-C

Ball valve type 130 PVC-C 24V With manual emergency override With solvent cement sockets metric



DN10/15 - 50



Model:

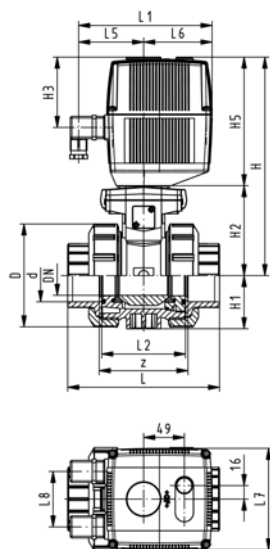
- Assignment of actuators: EA21 (DN10/15-50), EA31 (DN65-100 if available)
- For easy installation and removal
- Integrated stainless steel mounting inserts
- Voltage 24 V AC/DC
- Control range 90°<
- Control time: EA21: 5s/90°<, EA31: 15s/90°<

Option:

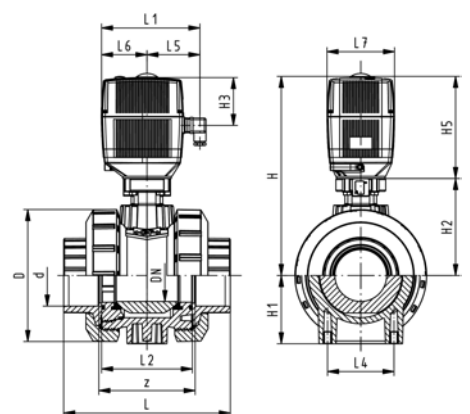
- Individual configuration of the valve (see form)

d [mm]	DN [mm]	PN	kv-value (Δp=1 bar) [l/min]	EPDM Code	FPM Code	kg
16	10	10	70	199 130 442	199 130 452	2.100
20	15	10	185	199 130 443	199 130 453	2.100
25	20	10	350	199 130 444	199 130 454	2.200
32	25	10	700	199 130 445	199 130 455	2.300
40	32	10	1000	199 130 446	199 130 456	2.600
50	40	10	1600	199 130 447	199 130 457	3.000
63	50	10	3100	199 130 448	199 130 458	3.800
75	65	10	5000	199 130 449	199 130 459	4.000
90	80	10	7000	199 130 450	199 130 460	5.100
110	100	10	11000	199 130 451	199 130 461	6.700

d [mm]	D [mm]	H [mm]	H1 [mm]	H2 [mm]	H3 [mm]	H5 [mm]	L [mm]	L1 [mm]	L2 [mm]	L4 [mm]	L5 [mm]	L6 [mm]	L7 [mm]	z [mm]
16	50	231	27	64	94	167	92	180	56	25	97	83	122	64
20	50	231	27	64	94	167	95	180	56	25	97	83	122	64
25	58	240	30	73	94	167	110	180	65	25	97	83	122	72
32	68	240	36	73	94	167	123	180	71	25	97	83	122	79
40	84	251	44	84	94	167	146	180	85	45	97	83	122	94
50	97	251	51	84	94	167	157	180	89	45	97	83	122	95
63	124	273	64	106	94	167	183	180	101	45	97	83	122	107
75	166	346	85	156	94	190	233	180	136	70	98	83	122	144
90	200	358	105	168	94	190	254	180	141	70	98	83	122	151
110	238	365	123	175	94	190	301	180	164	120	98	83	122	174



DN10/15-50



DN65-100

PVC-C

Ball valve type 130 PVC-C 100-230V With manual emergency override With solvent cement spigots metric



DN10/15 - 50



Model:

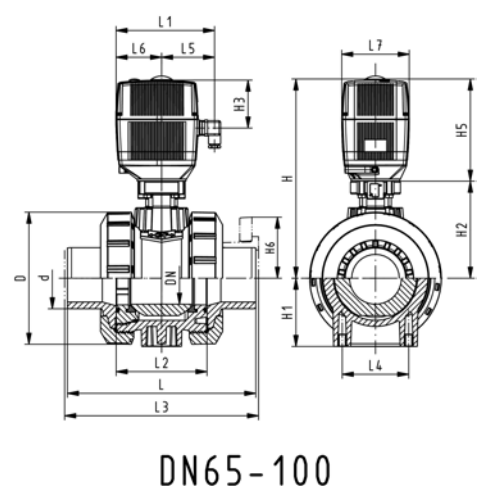
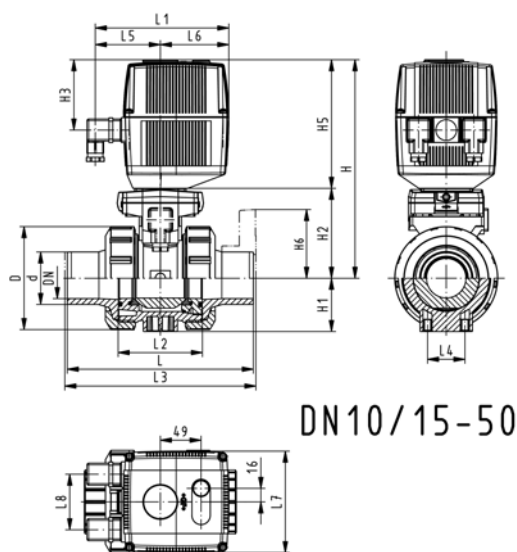
- Assignment of actuators: EA21 (DN10/15-50), EA31 (DN65-100 if available)
- For easy installation and removal
- Integrated stainless steel mounting inserts
- Voltage 100-230 V, 50-60 Hz
- Control range 90°<
- Control time: EA21: 5s/90°<, EA31: 15s/90°<

Option:

- Individual configuration of the valve (see form)

d [mm]	DN [mm]	PN	kv-value (Δp=1 bar) [l/min]	EPDM Code	FPM Code	kg
16	10	10	70	199 130 422	199 130 432	2.100
20	15	10	185	199 130 423	199 130 433	2.100
25	20	10	350	199 130 424	199 130 434	2.200
32	25	10	700	199 130 425	199 130 435	2.300
40	32	10	1000	199 130 426	199 130 436	2.600
50	40	10	1600	199 130 427	199 130 437	3.000
63	50	10	3100	199 130 428	199 130 438	3.800
75	65	10	5000	199 130 429	199 130 439	4.200
90	80	10	7000	199 130 430	199 130 440	5.300
110	100	10	11000	199 130 431	199 130 441	6.900

d [mm]	D [mm]	H [mm]	H1 [mm]	H2 [mm]	H3 [mm]	H5 [mm]	L [mm]	L1 [mm]	L2 [mm]	L3 [mm]	L4 [mm]	L5 [mm]	L6 [mm]	L7 [mm]
16	50	231	27	64	94	167	114	180	56	130	25	97	83	122
20	50	231	27	64	94	167	124	180	56	130	25	97	83	122
25	58	240	30	73	94	167	144	180	65	150	25	97	83	122
32	68	240	36	73	94	167	154	180	71	160	25	97	83	122
40	84	251	44	84	94	167	174	180	85	180	45	97	83	122
50	97	251	51	84	94	167	194	180	89	200	45	97	83	122
63	124	273	64	106	94	167	224	180	101	230	45	97	83	122
75	166	346	85	156	94	190	284	180	136	290	70	98	83	122
90	200	358	105	168	94	190	300	180	141	310	70	98	83	122
110	238	365	123	175	94	190	340	180	164	350	120	98	83	122



PVC-C

Ball valve type 130 PVC-C 24V With manual emergency override With solvent cement spigots metric



DN10/15 - 50



Model:

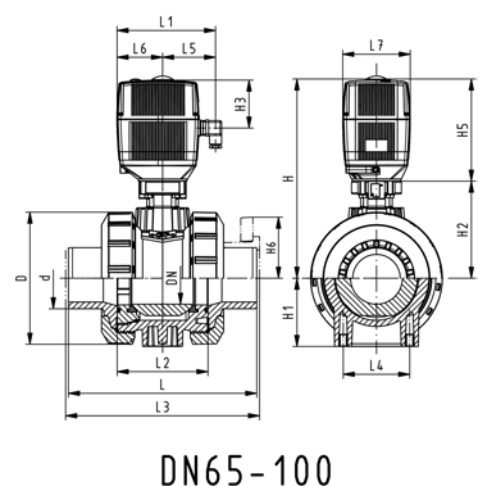
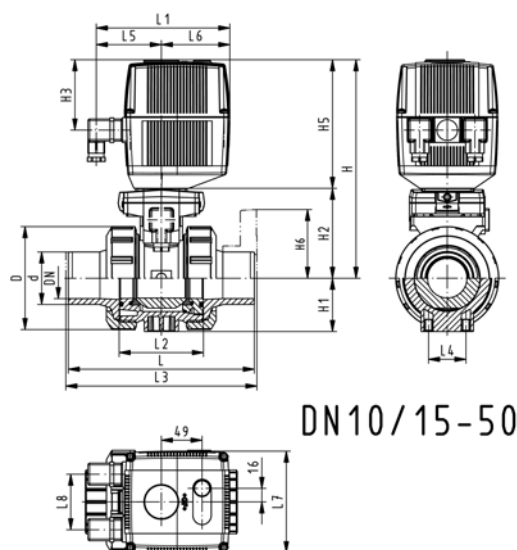
- Assignment of actuators: EA21 (DN10/15-50), EA31 (DN65-100 if available)
- For easy installation and removal
- Integrated stainless steel mounting inserts
- Voltage 24 V AC/DC
- Control range 90°<
- Control time: EA21: 5s/90°<, EA31: 15s/90°<

Option:

- Individual configuration of the valve (see form)

d [mm]	DN [mm]	PN	kv-value (Δp=1 bar) [l/min]	EPDM Code	FPM Code	kg
16	10	10	70	199 130 462	199 130 472	2.100
20	15	10	185	199 130 463	199 130 473	2.100
25	20	10	350	199 130 464	199 130 474	2.200
32	25	10	700	199 130 465	199 130 475	2.300
40	32	10	1000	199 130 466	199 130 476	2.600
50	40	10	1600	199 130 467	199 130 477	3.000
63	50	10	3100	199 130 468	199 130 478	3.800
75	65	10	5000	199 130 469	199 130 479	4.200
90	80	10	7000	199 130 470	199 130 480	5.300
110	100	10	11000	199 130 471	199 130 481	6.900

d [mm]	D [mm]	H [mm]	H1 [mm]	H2 [mm]	H3 [mm]	H5 [mm]	L [mm]	L1 [mm]	L2 [mm]	L3 [mm]	L4 [mm]	L5 [mm]	L6 [mm]	L7 [mm]
16	50	231	27	64	94	167	114	180	56	0	25	97	83	122
20	50	231	27	64	94	167	124	180	56	130	25	97	83	122
25	58	240	30	73	94	167	144	180	65	150	25	97	83	122
32	68	240	36	73	94	167	154	180	71	160	25	97	83	122
40	84	251	44	84	94	167	174	180	85	180	45	97	83	122
50	97	251	51	84	94	167	194	180	89	200	45	97	83	122
63	124	273	64	106	94	167	224	180	101	230	45	97	83	122
75	166	346	85	156	94	190	284	180	136	290	70	98	83	122
90	200	358	105	168	94	190	300	180	141	310	70	98	83	122
110	238	365	123	175	94	190	340	180	164	350	120	98	83	122



PVC-C

Ball valve type 130 PVC-C 100-230V With manual emergency override With threaded sockets Rp



DN10/15 - 50



Model:

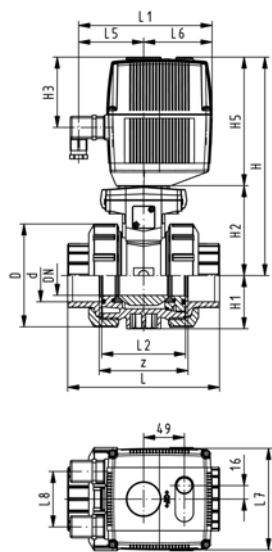
- Assignment of actuators: EA21 (DN10/15-50), EA31 (DN65-100 if available)
- For easy installation and removal
- Integrated stainless steel mounting inserts
- Voltage 100-230 V, 50-60 Hz
- Control range 90°<
- Control time: EA21: 5s/90°<, EA31: 15s/90°<

Option:

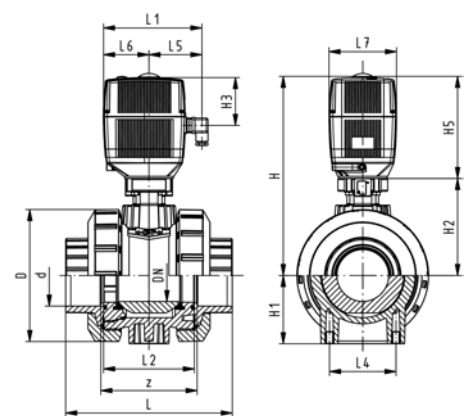
- Individual configuration of the valve (see form)

Rp [inch]	DN [mm]	PN	kv-value ($\Delta p=1$ bar) [l/min]	EPDM Code	FPM Code	kg
3/8	10	10	70	199 130 182	199 130 192	2.100
1/2	15	10	185	199 130 183	199 130 193	2.100
3/4	20	10	350	199 130 184	199 130 194	2.200
1	25	10	700	199 130 185	199 130 195	2.300
1 1/4	32	10	1000	199 130 186	199 130 196	2.600
1 1/2	40	10	1600	199 130 187	199 130 197	3.000
2	50	10	3100	199 130 188	199 130 198	3.800
2 1/2	65	10	5000	199 130 189	199 130 199	4.100
3	80	10	7000	199 130 190	199 130 200	5.200
4	100	10	11000	199 130 191	199 130 201	6.800

Rp [inch]	D [mm]	H [mm]	H1 [mm]	H2 [mm]	H3 [mm]	H5 [mm]	L [mm]	L1 [mm]	L2 [mm]	L4 [mm]	L5 [mm]	L6 [mm]	L7 [mm]	z [mm]
3/8	50	231	27	64	94	167	92	180	56	25	97	83	122	64
1/2	50	231	27	64	94	167	95	180	56	25	97	83	122	64
3/4	58	240	30	73	94	167	110	180	65	25	97	83	122	72
1	68	240	36	73	94	167	123	180	71	25	97	83	122	79
1 1/4	84	251	44	84	94	167	146	180	85	45	97	83	122	94
1 1/2	97	251	51	84	94	167	157	180	89	45	97	83	122	95
2	124	273	64	106	94	167	183	180	101	45	97	83	122	107
2 1/2	166	346	85	156	94	190	233	180	136	70	98	83	122	144
3	200	358	105	168	94	190	254	180	141	70	98	83	122	151
4	238	365	123	175	94	190	301	180	164	120	98	83	122	174



DN10/15-50



DN65-100

PVC-C

Ball valve type 130 PVC-C 24V With manual emergency override With threaded sockets Rp



DN10/15 - 50



Model:

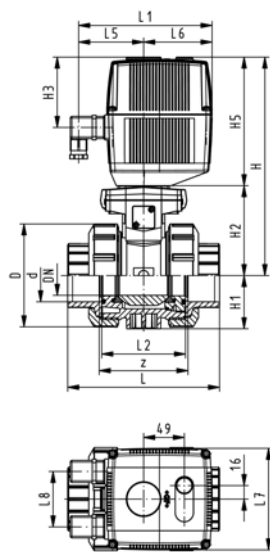
- Assignment of actuators: EA21 (DN10/15-50), EA31 (DN65-100 if available)
- For easy installation and removal
- Integrated stainless steel mounting inserts
- Voltage 24 V AC/DC
- Control range 90°<
- Control time: EA21: 5s/90°<, EA31: 15s/90°<

Option:

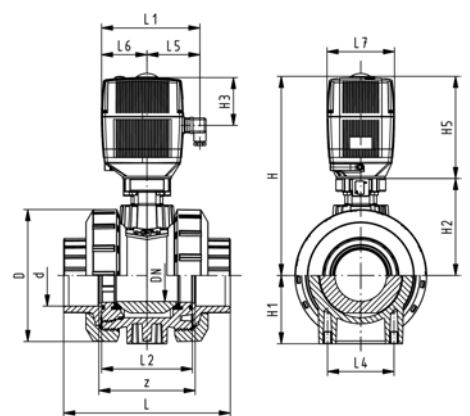
- Individual configuration of the valve (see form)

Rp [inch]	DN [mm]	PN	kv-value ($\Delta p=1$ bar) [l/min]	EPDM Code	FPM Code	kg
3/8	10	10	70	199 130 202	199 130 212	2.100
1/2	15	10	185	199 130 203	199 130 213	2.100
3/4	20	10	350	199 130 204	199 130 214	2.200
1	25	10	700	199 130 205	199 130 215	2.300
1 1/4	32	10	1000	199 130 206	199 130 216	2.600
1 1/2	40	10	1600	199 130 207	199 130 217	3.000
2	50	10	3100	199 130 208	199 130 218	3.800
2 1/2	65	10	5000	199 130 209	199 130 219	4.100
3	80	10	7000	199 130 210	199 130 220	5.200
4	100	10	11000	199 130 211	199 130 221	6.800

Rp [inch]	D [mm]	H [mm]	H1 [mm]	H2 [mm]	H3 [mm]	H5 [mm]	L [mm]	L1 [mm]	L2 [mm]	L4 [mm]	L5 [mm]	L6 [mm]	L7 [mm]	z [mm]
3/8	50	231	27	64	94	167	92	180	56	25	97	83	122	64
1/2	50	231	27	64	94	167	95	180	56	25	97	83	122	64
3/4	58	240	30	73	94	167	110	180	65	25	97	83	122	72
1	68	240	36	73	94	167	123	180	71	25	97	83	122	79
1 1/4	84	251	44	84	94	167	146	180	85	45	97	83	122	94
1 1/2	97	251	51	84	94	167	157	180	89	45	97	83	122	95
2	124	273	64	106	94	167	183	180	101	45	97	83	122	107
2 1/2	166	346	85	156	94	190	233	180	136	70	98	83	122	144
3	200	358	105	168	94	190	254	180	141	70	98	83	122	151
4	238	365	123	175	94	190	301	180	164	120	98	83	122	174



DN10/15-50



DN65-100

PVC-C



Ball valve type 130 PVC-C 100-230V With manual emergency override With backing flanges PP-st metric

Model:

- Assignment of actuators: EA21 (DN10/15-50), EA31 (DN65-100 if available)
- For easy installation and removal
- Integrated stainless steel mounting inserts
- Voltage 100-230 V, 50-60 Hz
- Control range 90°<
- Control time: EA21: 5s/90°<, EA31: 15s/90°<
- Overall length according to EN 558
- Connecting dimension: ISO 7005, EN 1092, BS 4504, DIN 2501

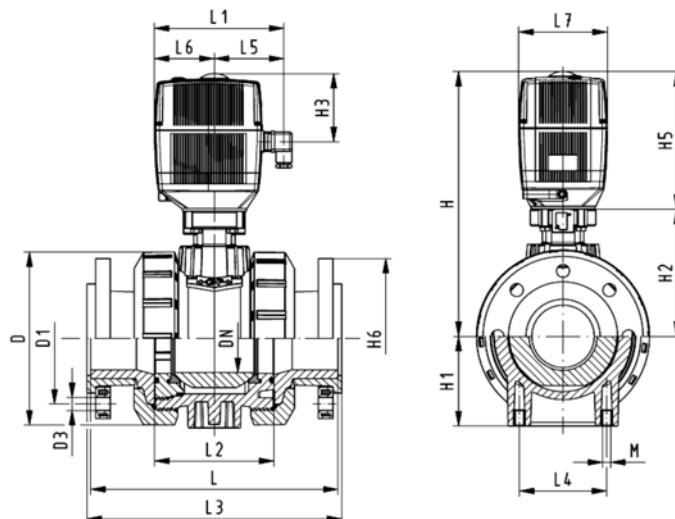
Option:

- Individual configuration of the valve (see form)

d [mm]	DN [mm]	PN	kv-value (Δp=1 bar) [l/min]	EPDM Code	FPM Code	kg
75	65	10	5000	199 134 489	199 134 499	8.200
90	80	10	7000	199 134 490	199 134 500	10.100
110	100	10	11000	199 134 491	199 134 501	13.400

d [mm]	D [mm]	H [mm]	H1 [mm]	H2 [mm]	H3 [mm]	H5 [mm]	H6 [mm]	L [mm]	L1 [mm]	L2 [mm]	L3 [mm]	L4 [mm]	L5 [mm]	L6 [mm]	L7 [mm]
75	166	346	85	156	94	190	93	284	180	136	290	70	98	83	122
90	200	358	105	168	94	190	100	300	180	141	310	70	98	83	122
110	238	365	123	175	94	190	110	340	180	164	350	120	98	83	122

d [mm]	L8 [mm]
75	66
90	66
110	66



PVC-C



Ball valve type 130 PVC-C 24V With manual emergency override With backing flanges PP-st metric

Model:

- Assignment of actuators: EA21 (DN10/15-50), EA31 (DN65-100 if available)
- For easy installation and removal
- Integrated stainless steel mounting inserts
- Voltage 24 V AC/DC
- Control range 90°<
- Control time: EA21: 5s/90°<, EA31: 15s/90°<
- Overall length according to EN 558
- Connecting dimension: ISO 7005, EN 1092, BS 4504, DIN 2501

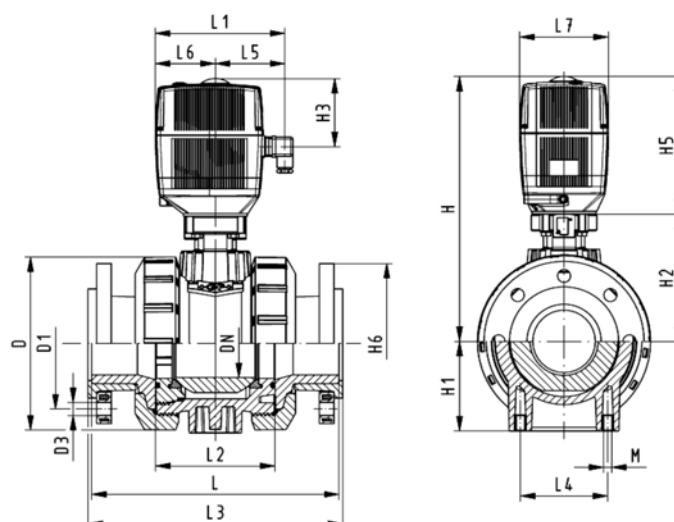
Option:

- Individual configuration of the valve (see form)

d [mm]	DN [mm]	PN	kv-value ($\Delta p=1$ bar) [l/min]	EPDM Code	FPM Code	kg
75	65	10	5000	199 134 509	199 134 519	8.200
90	80	10	7000	199 134 510	199 134 520	10.100
110	100	10	11000	199 134 511	199 134 521	13.400

d [mm]	D [mm]	H [mm]	H1 [mm]	H2 [mm]	H3 [mm]	H5 [mm]	H6 [mm]	L [mm]	L1 [mm]	L2 [mm]	L3 [mm]	L4 [mm]	L5 [mm]	L6 [mm]	L7 [mm]
75	166	346	85	156	94	190	93	284	180	136	290	70	98	83	122
90	200	358	105	168	94	190	100	300	180	141	310	70	98	83	122
110	238	365	123	175	94	190	110	340	180	164	350	120	98	83	122

d [mm]	L8 [mm]
75	66
90	66
110	66



Copiable

Configurator GF ball valve type 546 PVC-C

Ball Valve

A01 Ball Valve 546

Material

B02 PVC-C

Dimension

C05 DN 10 3/8"
 C06 DN 15 1/2"
 C07 DN 20 3/4"
 C08 DN 25 1"
 C09 DN 32 1 1/4"
 C10 DN 40 1 1/2"
 C11 DN 50 2"
 C12 DN 65 2 1/2"
 C13 DN 80 3"
 C14 DN 100 4"

Version

D01 Standard, PTFE ball seal
 D02 oilfree, PTFE ball seal (only with specific connecting parts)
 D03 silicon-free, PTFE ball seal (only with specific connecting parts)
 D04 silicon-free, PVDF ball seal metric (only with specific connecting parts)

Seals

E01 EPDM seals
 E02 FPM seals

Threaded inserts

F01 without threaded inserts
 F02 with threaded inserts

Connecting parts

G11 PVC-C Cement socket metric
 G12 PVC-C Cement socket JIS
 G13 PVC-C Cement socket inch ASTM
 G14 PVC-C Cement spigot metric
 G15 PVC-C Threaded socket Rp
 G16 PVC-C Threaded socket Rp reinforced (DN10-50)
 G17 PVC-C Threaded socket NPT
 G40 PE-100 Butt fusion metric
 G41 PE-100 Butt fusion spigot SDR11 metric
 G42 PE-100 Butt fusion spigot SDR17.6 metric (DN65-100)
 G43 PE-100 Butt fusion spigot long SDR11 metric
 G72 Backing flange PP-steel metric
 G73 Backing flange PP-steel inch ANSI
 G81 PVC-C Valve end blank

Multi-functional module

I01 No multi-functional module
 I02 Empty module
 I03 Module with 2 end switches Ag, Ni
 I04 Module with 2 end switches Au
 I05 Module with 2 inductive switches Namur
 I06 Module with 2 inductive switches PNP
 I07 Module with 2 inductive switches NPN

Lever

K01 Standard lever red
 K02 Standard lever black
 K11 Multi-functional lever red

Mounting plate

L01 without mounting plate
 L02 with mounting plate

A01 B02 C D E F G G I K L

left right

You will find a large selection of different versions in our range of products. New system elements also provide you with new opportunities for use. In order for us to supply exactly the ball valve you need for your application, we have created a selection menu for you.

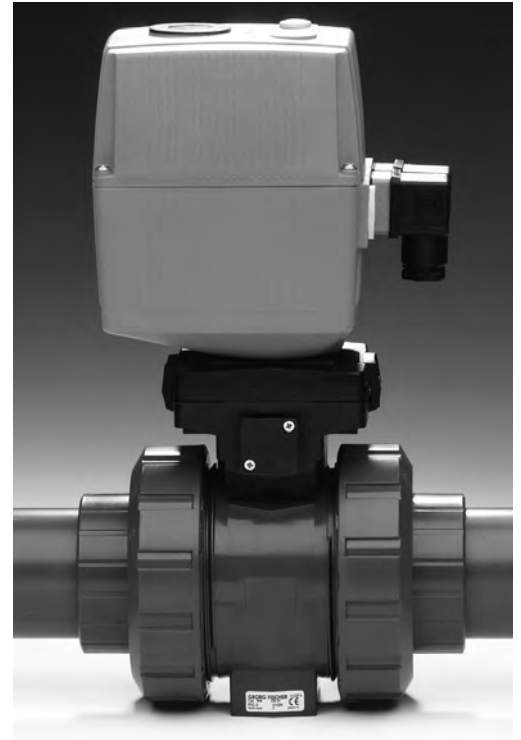
We supply what you put together.

Copiable GF ball valve type 546 with electric Actuator

It's easy to actuate the type 546:

With the configurator, you have a choice of new electric actuators, the EA11 for standard applications and the EA21 with modular design and accessories, for practically and type of operation.

We supply what you put together.



Electric Actuator EA11

- T01 EA11 24 V
- T02 EA11 100-230 V

Accessories EA11

- U01 No accessories
- U02 2 limit switches Ag, Ni
- U03 Heating element
- U04 Fail-safe return
- U05 2 limit switches Ag, Ni normally open

Electric Actuator EA21/31

- T03 EA21/31 24 V
- T04 EA21/31 100-230 V

Accessories EA21

- W01 No accessories
- W02 Heating element
- W03 Cycle time module
- W04 Cycle time monitoring
- W05 Cycles monitoring
- W06 Motor current monitoring
- W07 2 limit switches Ag, Ni
- W08 2 limit switches Gold
- W09 2 limit switches NPN
- W10 2 limit switches PNP
- W11 Positioner
- W12 Electric position indicator
- W14 Fail-safe return unit
- W15 Switch intermediate position
- W27 2 limit switches Ag, Ni normally open with connector
- W31 Positioner PE25 with galv. separation

T	U	T	W	W	W	W	W	W

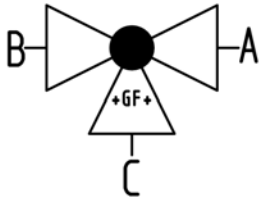
PVC-C

3-Way ball valve type 185 PVC-C Horizontal/L-port 100-230V With manual emergency override With solvent cement sockets metric



Model:

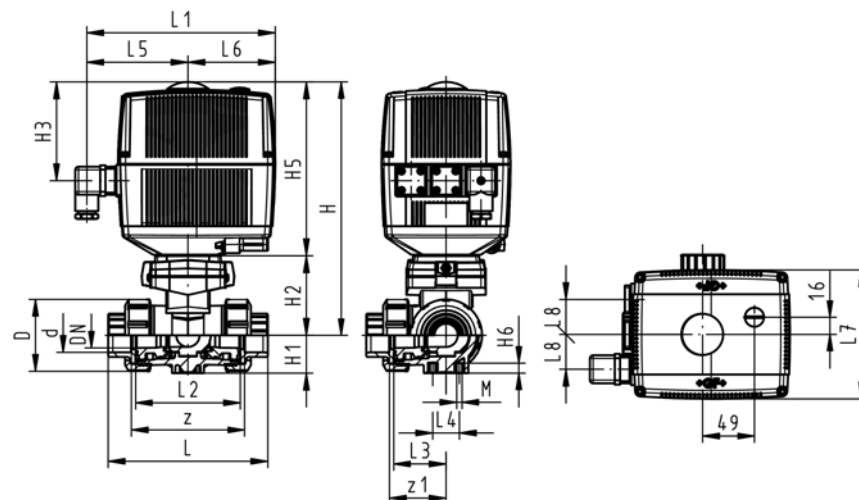
- Built on with electric actuator EA21
- Voltage 100-230 V, 50-60 Hz
- Control range 90°<
- Basic position A-C opened, activated position B-C opened, see flow scheme
- Other positions possible by adjusting the limit switches
- Control time 5 s/90°<
- For easy installation and removal
- Integrated stainless steel mounting inserts



d [mm]	DN [mm]	PN	kv-value (Δp=1 bar) [l/min]	EPDM Code	FPM Code	kg
16	10	10	50	199 185 102	199 185 112	2.143
20	15	10	75	199 185 103	199 185 113	2.149
25	20	10	150	199 185 104	199 185 114	2.287
32	25	10	280	199 185 105	199 185 115	2.493
40	32	10	480	199 185 106	199 185 116	2.950
50	40	10	620	199 185 107	199 185 117	3.441
63	50	10	1230	199 185 108	199 185 118	4.916

d [mm]	D [mm]	H [mm]	H1 [mm]	H2 [mm]	H3 [mm]	H5 [mm]	H6 [mm]	L [mm]	L1 [mm]	L2 [mm]	L3 [mm]	L4 [mm]	L5 [mm]	L6 [mm]	L7 [mm]
16	50	231	28	64	94	167	8	109	180	73	36	25	97	83	122
20	50	231	28	64	94	167	8	112	180	73	36	25	97	83	122
25	58	240	32	73	94	167	8	131	180	86	43	25	97	83	122
32	68	240	36	73	94	167	8	151	180	99	50	25	97	83	122
40	84	251	45	84	94	167	9	181	180	120	60	45	97	83	122
50	97	251	51	84	94	167	9	205	180	137	69	45	97	83	122
63	124	273	65	106	94	167	9	261	180	179	89	45	97	83	122

d [mm]	L8 [mm]	M	z [mm]	z1 [mm]
16	33	6	81	40
20	33	6	81	40
25	33	6	94	47
32	33	6	107	54
40	33	8	130	65
50	33	8	143	72
63	33	8	185	92



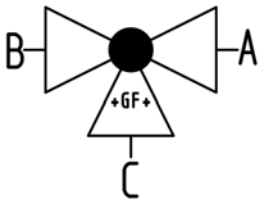
PVC-C

3-Way ball valve type 185 PVC-C Horizontal/L-port 100-230V With manual emergency override With solvent cement spigots metric



Model:

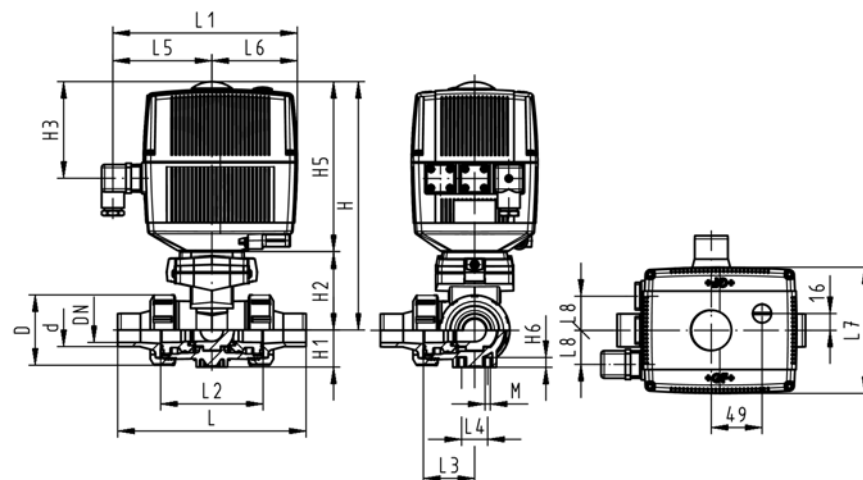
- Built on with electric actuator EA21
- Voltage 100-230 V, 50-60 Hz
- Control range 90°<
- Basic position A-C opened, activated position B-C opened, see flow scheme
- Other positions possible by adjusting the limit switches
- Control time 5 s/90°<
- For easy installation and removal
- Integrated stainless steel mounting inserts



d [mm]	DN [mm]	PN	kv-value (Δp=1 bar) [l/min]	EPDM Code	FPM Code	kg
16	10	10	50	199 185 082	199 185 092	2.149
20	15	10	75	199 185 083	199 185 093	2.159
25	20	10	150	199 185 084	199 185 094	2.303
32	25	10	280	199 185 085	199 185 095	2.519
40	32	10	480	199 185 086	199 185 096	2.973
50	40	10	620	199 185 087	199 185 097	3.510
63	50	10	1230	199 185 088	199 185 098	5.053

d [mm]	D [mm]	H [mm]	H1 [mm]	H2 [mm]	H3 [mm]	H5 [mm]	H6 [mm]	L [mm]	L1 [mm]	L2 [mm]	L3 [mm]	L4 [mm]	L5 [mm]	L6 [mm]	L7 [mm]
16	50	231	28	64	94	167	8	131	180	73	36	25	97	83	122
20	50	231	28	64	94	167	8	141	180	73	36	25	97	83	122
25	58	240	32	73	94	167	8	165	180	86	43	25	97	83	122
32	68	240	36	73	94	167	8	182	180	99	50	25	97	83	122
40	84	251	45	84	94	167	9	209	180	120	60	45	97	83	122
50	97	251	51	84	94	167	9	242	180	137	69	45	97	83	122
63	124	273	65	106	94	167	9	302	180	179	89	45	97	83	122

d [mm]	L8 [mm]	M
16	33	6
20	33	6
25	33	6
32	33	6
40	33	8
50	33	8
63	33	8



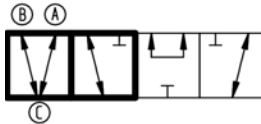
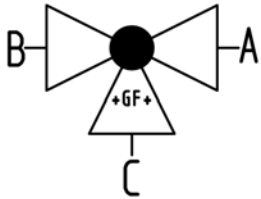
PVC-C

3-Way ball valve type 185 PVC-C Horizontal/T-port 100-230V With manual emergency override With solvent cement sockets metric



Model:

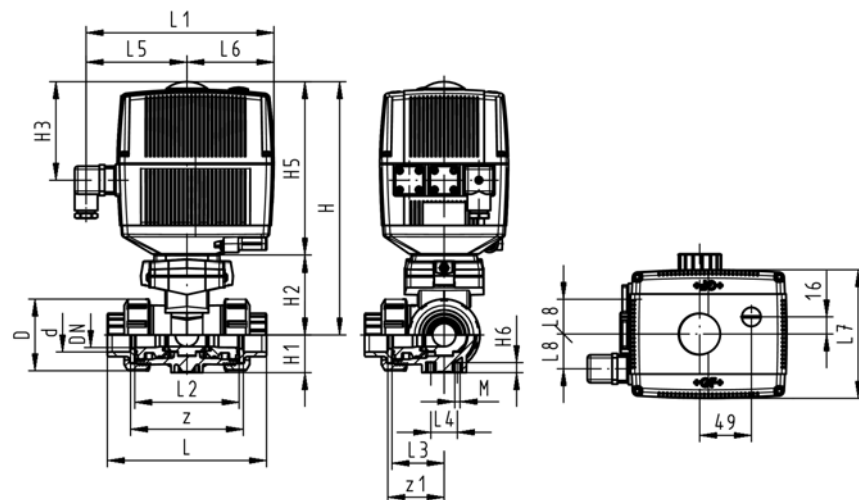
- Built on with electric actuator EA21
- Voltage 100-230 V, 50-60 Hz
- Control range 90°<
- Basic position A-B-C opened, activated position B-C opened, see flow scheme
- Other positions possible by adjusting the limit switches
- Control time 5 s/90°<
- For easy installation and removal
- Integrated stainless steel mounting inserts



d [mm]	DN [mm]	PN	kv-value (Δp=1 bar) [l/min]	EPDM Code	FPM Code	kg
16	10	10	140	199 185 142	199 185 152	2.142
20	15	10	200	199 185 143	199 185 153	2.148
25	20	10	470	199 185 144	199 185 154	2.285
32	25	10	793	199 185 145	199 185 155	2.486
40	32	10	1290	199 185 146	199 185 156	2.939
50	40	10	1910	199 185 147	199 185 157	3.419
63	50	10	3100	199 185 148	199 185 158	4.867

d [mm]	D [mm]	H [mm]	H1 [mm]	H2 [mm]	H3 [mm]	H5 [mm]	H6 [mm]	L [mm]	L1 [mm]	L2 [mm]	L3 [mm]	L4 [mm]	L5 [mm]	L6 [mm]	L7 [mm]
16	50	231	28	64	94	167	8	109	180	73	36	25	97	83	122
20	50	231	28	64	94	167	8	112	180	73	36	25	97	83	122
25	58	240	32	73	94	167	8	131	180	86	43	25	97	83	122
32	68	240	36	73	94	167	8	151	180	99	50	25	97	83	122
40	84	251	45	84	94	167	9	181	180	120	60	45	97	83	122
50	97	251	51	84	94	167	9	205	180	137	69	45	97	83	122
63	124	273	65	106	94	167	9	261	180	179	89	45	97	83	122

d [mm]	L8 [mm]	M	z [mm]	z1 [mm]
16	33	6	81	40
20	33	6	81	40
25	33	6	94	47
32	33	6	107	54
40	33	8	130	65
50	33	8	143	72
63	33	8	185	92



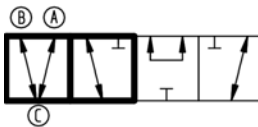
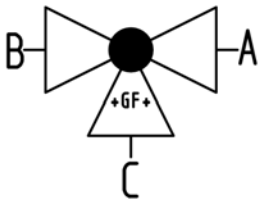
PVC-C

3-Way ball valve type 185 PVC-C Horizontal/T-port 100-230V With manual emergency override With solvent cement spigots metric



Model:

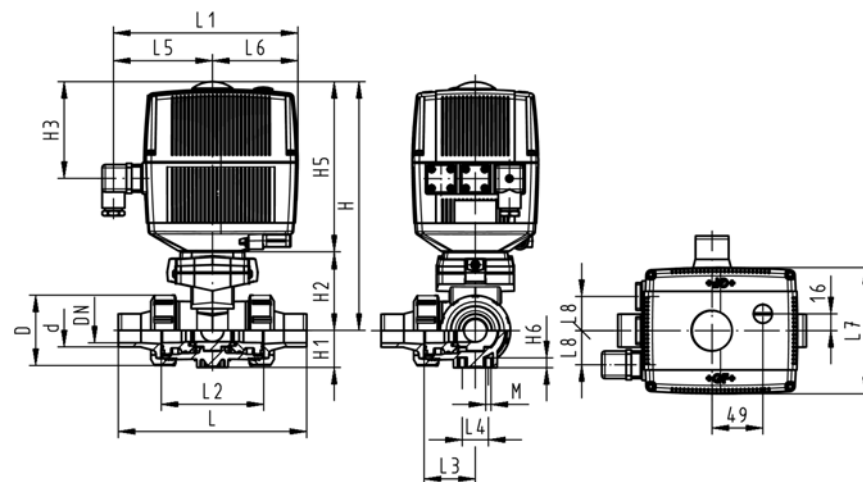
- Built on with electric actuator EA21
- Voltage 100-230 V, 50-60 Hz
- Control range 90°<
- Basic position A-B-C opened, activated position B-C opened, see flow scheme
- Other positions possible by adjusting the limit switches
- Control time 5 s/90°<
- For easy installation and removal
- Integrated stainless steel mounting inserts



d [mm]	DN [mm]	PN	kv-value (Δp=1 bar) [l/min]	EPDM Code	FPM Code	kg
16	10	10	140	199 185 122	199 185 132	2.148
20	15	10	200	199 185 123	199 185 133	2.158
25	20	10	470	199 185 124	199 185 134	2.301
32	25	10	793	199 185 125	199 185 135	2.512
40	32	10	1290	199 185 126	199 185 136	2.961
50	40	10	1910	199 185 127	199 185 137	3.487
63	50	10	3100	199 185 128	199 185 138	5.004

d [mm]	D [mm]	H [mm]	H1 [mm]	H2 [mm]	H3 [mm]	H5 [mm]	H6 [mm]	L [mm]	L1 [mm]	L2 [mm]	L3 [mm]	L4 [mm]	L5 [mm]	L6 [mm]	L7 [mm]
16	50	231	28	64	94	167	8	131	180	73	36	25	97	83	122
20	50	231	28	64	94	167	8	141	180	73	36	25	97	83	122
25	58	240	32	73	94	167	8	165	180	86	43	25	97	83	122
32	68	240	36	73	94	167	8	182	180	99	50	25	97	83	122
40	84	251	45	84	94	167	9	209	180	120	60	45	97	83	122
50	97	251	51	84	94	167	9	242	180	137	69	45	97	83	122
63	124	273	65	106	94	167	9	302	180	179	89	45	97	83	122

d [mm]	L8 [mm]	M
16	33	6
20	33	6
25	33	6
32	33	6
40	33	8
50	33	8
63	33	8



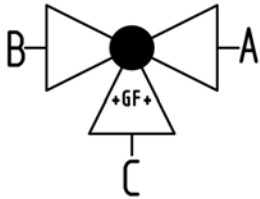
PVC-C

3-Way ball valve type 185 PVC-C Horizontal/L-port 24V With manual emergency override With solvent cement sockets metric



Model:

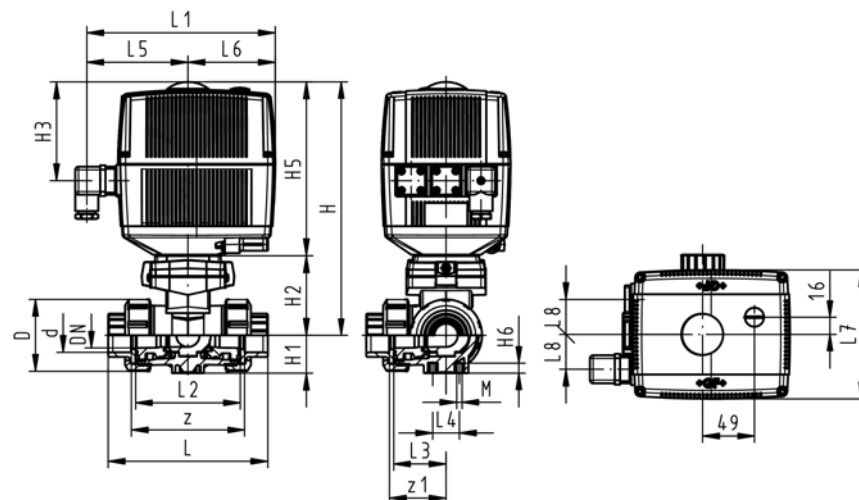
- Built on with electric actuator EA21
- Voltage 24 V AC/DC
- Control range 90°<
- Basic position A-C opened, activated position B-C opened, see flow scheme
- Other positions possible by adjusting the limit switches
- Control time 5 s/90°<
- For easy installation and removal
- Integrated stainless steel mounting inserts



d [mm]	DN [mm]	PN	kv-value (Δp=1 bar) [l/min]	EPDM Code	FPM Code	kg
16	10	10	50	199 185 262	199 185 272	2.143
20	15	10	75	199 185 263	199 185 273	2.149
25	20	10	150	199 185 264	199 185 274	2.287
32	25	10	280	199 185 265	199 185 275	2.493
40	32	10	480	199 185 266	199 185 276	2.950
50	40	10	620	199 185 267	199 185 277	3.441
63	50	10	1230	199 185 268	199 185 278	4.916

d [mm]	D [mm]	H [mm]	H1 [mm]	H2 [mm]	H3 [mm]	H5 [mm]	H6 [mm]	L [mm]	L1 [mm]	L2 [mm]	L3 [mm]	L4 [mm]	L5 [mm]	L6 [mm]	L7 [mm]
16	50	231	28	64	94	167	8	109	180	73	36	25	97	83	122
20	50	231	28	64	94	167	8	112	180	73	36	25	97	83	122
25	58	240	32	73	94	167	8	131	180	86	43	25	97	83	122
32	68	240	36	73	94	167	8	151	180	99	50	25	97	83	122
40	84	251	45	84	94	167	9	181	180	120	60	45	97	83	122
50	97	251	51	84	94	167	9	205	180	137	69	45	97	83	122
63	124	273	65	106	94	167	9	261	180	179	89	45	97	83	122

d [mm]	L8 [mm]	M	z [mm]	z1 [mm]
16	33	6	81	40
20	33	6	81	40
25	33	6	94	47
32	33	6	107	54
40	33	8	130	65
50	33	8	143	72
63	33	8	185	92



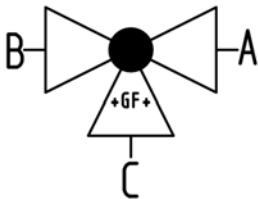
PVC-C

3-Way ball valve type 185 PVC-C Horizontal/L-port 24V With manual emergency override With solvent cement spigots metric



Model:

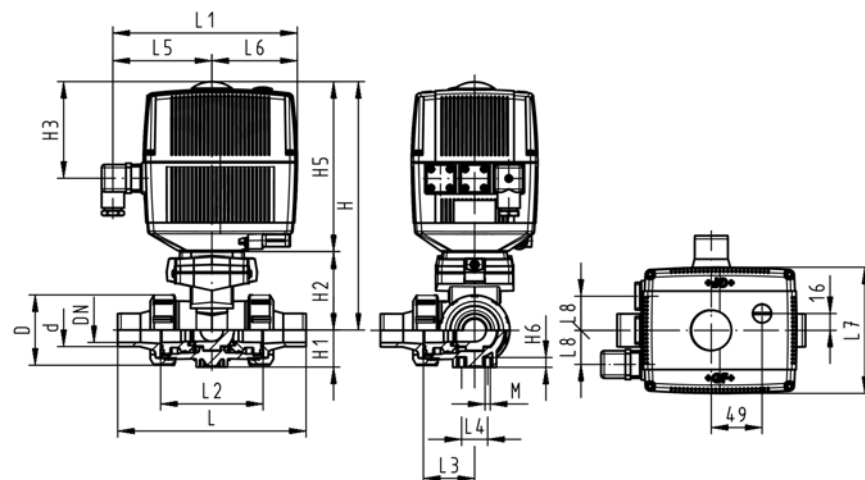
- Built on with electric actuator EA21
- Voltage 24 V AC/DC
- Control range 90°<
- Basic position A-C opened, activated position B-C opened, see flow scheme
- Other positions possible by adjusting the limit switches
- Control time 5 s/90°<
- For easy installation and removal
- Integrated stainless steel mounting inserts



d [mm]	DN [mm]	PN	kv-value (Δp=1 bar) [l/min]	EPDM Code	FPM Code	kg
16	10	10	50	199 185 282	199 185 292	2.149
20	15	10	75	199 185 283	199 185 293	2.159
25	20	10	150	199 185 284	199 185 294	2.303
32	25	10	280	199 185 285	199 185 295	2.519
40	32	10	480	199 185 286	199 185 296	2.973
50	40	10	620	199 185 287	199 185 297	3.510
63	50	10	1230	199 185 288	199 185 298	5.053

d [mm]	D [mm]	H [mm]	H1 [mm]	H2 [mm]	H3 [mm]	H5 [mm]	H6 [mm]	L [mm]	L1 [mm]	L2 [mm]	L3 [mm]	L4 [mm]	L5 [mm]	L6 [mm]	L7 [mm]
16	50	231	28	64	94	167	8	131	180	73	36	25	97	83	122
20	50	231	28	64	94	167	8	141	180	73	36	25	97	83	122
25	58	240	32	73	94	167	8	165	180	86	43	25	97	83	122
32	68	240	36	73	94	167	8	182	180	99	50	25	97	83	122
40	84	251	45	84	94	167	9	209	180	120	60	45	97	83	122
50	97	251	51	84	94	167	9	242	180	137	69	45	97	83	122
63	124	273	65	106	94	167	9	302	180	179	89	45	97	83	122

d [mm]	L8 [mm]	M
16	33	6
20	33	6
25	33	6
32	33	6
40	33	8
50	33	8
63	33	8



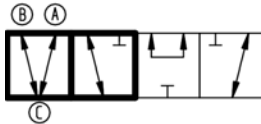
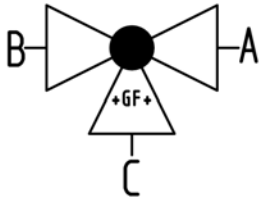
PVC-C

3-Way ball valve type 185 PVC-C Horizontal/T-port 24V With manual emergency override With solvent cement sockets metric



Model:

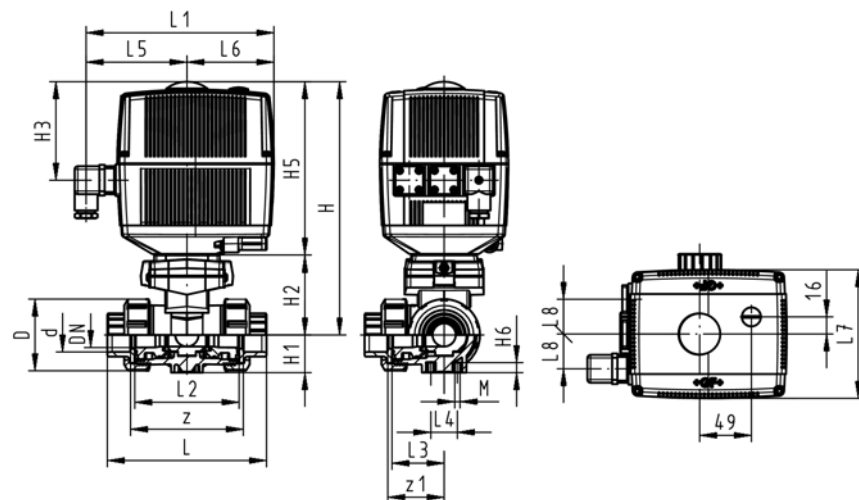
- Built on with electric actuator EA21
- Voltage 24 V AC/DC
- Control range 90°<
- Basic position A-B-C opened, activated position B-C opened, see flow scheme
- Other positions possible by adjusting the limit switches
- Control time 5 s/90°<
- For easy installation and removal
- Integrated stainless steel mounting inserts



d [mm]	DN [mm]	PN	kv-value (Δp=1 bar) [l/min]	EPDM Code	FPM Code	kg
16	10	10	140	199 185 322	199 185 332	2.142
20	15	10	200	199 185 323	199 185 333	2.148
25	20	10	470	199 185 324	199 185 334	2.285
32	25	10	793	199 185 325	199 185 335	2.486
40	32	10	1290	199 185 326	199 185 336	2.939
50	40	10	1910	199 185 327	199 185 337	3.419
63	50	10	3100	199 185 328	199 185 338	4.867

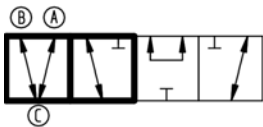
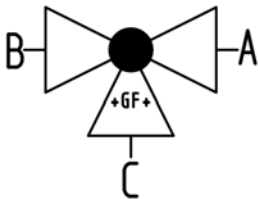
d [mm]	D [mm]	H [mm]	H1 [mm]	H2 [mm]	H3 [mm]	H5 [mm]	H6 [mm]	L [mm]	L1 [mm]	L2 [mm]	L3 [mm]	L4 [mm]	L5 [mm]	L6 [mm]	L7 [mm]
16	50	231	28	64	94	167	8	109	180	73	36	25	97	83	122
20	50	231	28	64	94	167	8	112	180	73	36	25	97	83	122
25	58	240	32	73	94	167	8	131	180	86	43	25	97	83	122
32	68	240	36	73	94	167	8	151	180	99	50	25	97	83	122
40	84	251	45	84	94	167	9	181	180	120	60	45	97	83	122
50	97	251	51	84	94	167	9	205	180	137	69	45	97	83	122
63	124	273	65	106	94	167	9	261	180	179	89	45	97	83	122

d [mm]	L8 [mm]	M	z [mm]	z1 [mm]
16	33	6	81	40
20	33	6	81	40
25	33	6	94	47
32	33	6	107	54
40	33	8	130	65
50	33	8	143	72
63	33	8	185	92



PVC-C

3-Way ball valve type 185 PVC-C Horizontal/T-port 24V With manual emergency override With solvent cement spigots metric



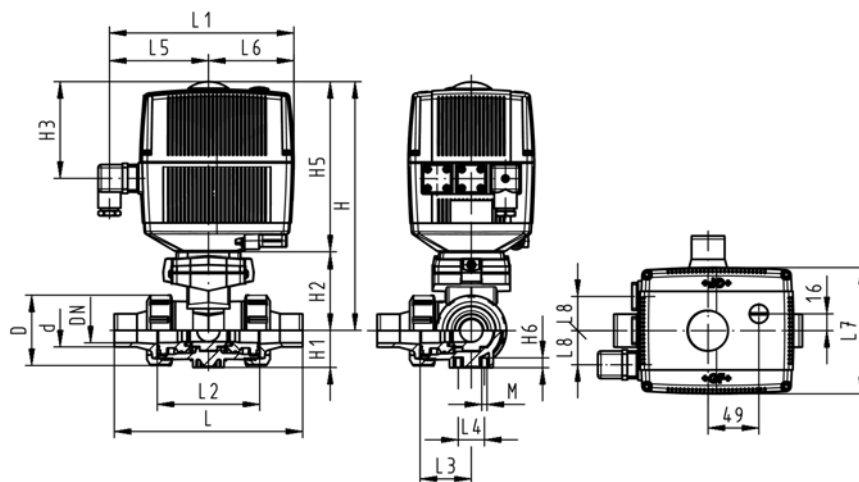
Model:

- Built on with electric actuator EA21
- Voltage 24 V AC/DC
- Control range 90°<
- Basic position A-B-C opened, activated position B-C opened, see flow scheme
- Other positions possible by adjusting the limit switches
- Control time 5 s/90°<
- For easy installation and removal
- Integrated stainless steel mounting inserts

d [mm]	DN [mm]	PN	kv-value (Δp=1 bar) [l/min]	EPDM Code	FPM Code	kg
16	10	10	140	199 185 302	199 185 312	2.148
20	15	10	200	199 185 303	199 185 313	2.158
25	20	10	470	199 185 304	199 185 314	2.301
32	25	10	793	199 185 305	199 185 315	2.512
40	32	10	1290	199 185 306	199 185 316	2.961
50	40	10	1910	199 185 307	199 185 317	3.487
63	50	10	3100	199 185 308	199 185 318	5.004

d [mm]	D [mm]	H [mm]	H1 [mm]	H2 [mm]	H3 [mm]	H5 [mm]	H6 [mm]	L [mm]	L1 [mm]	L2 [mm]	L3 [mm]	L4 [mm]	L5 [mm]	L6 [mm]	L7 [mm]
16	50	231	28	64	94	167	8	131	180	73	36	25	97	83	122
20	50	231	28	64	94	167	8	141	180	73	36	25	97	83	122
25	58	240	32	73	94	167	8	165	180	86	43	25	97	83	122
32	68	240	36	73	94	167	8	182	180	99	50	25	97	83	122
40	84	251	45	84	94	167	9	209	180	120	60	45	97	83	122
50	97	251	51	84	94	167	9	242	180	137	69	45	97	83	122
63	124	273	65	106	94	167	9	302	180	179	89	45	97	83	122

d [mm]	L8 [mm]	M
16	33	6
20	33	6
25	33	6
32	33	6
40	33	8
50	33	8
63	33	8



PVC-C

Ball valves pneumatic

Ball valve type 230 PVC-C FC (fail safe to close) With manual override With solvent cement sockets metric



DN10/15 - 50

Model:

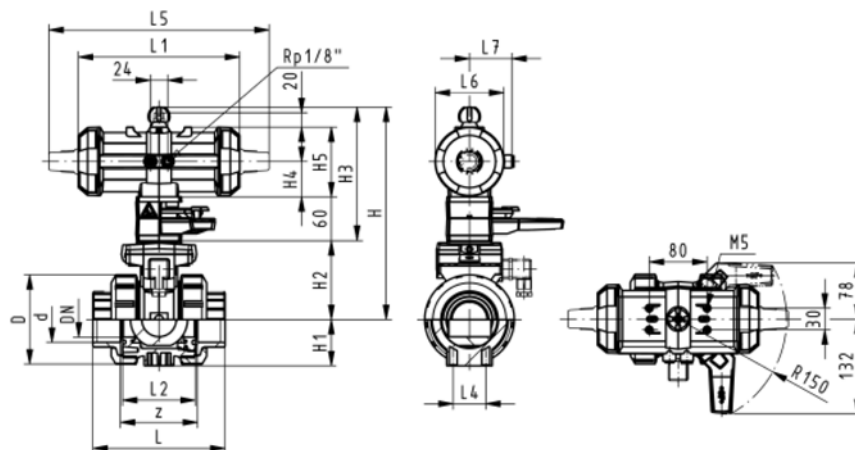
- Built on with pneumatic actuator PA11 (DN10/15-25), PA21 (DN32-50)
- Control time 90°< 1-2 s
- For easy installation and removal
- Integrated stainless steel mounting inserts

Option:

- Individual configuration of the valve (see form)

d [mm]	DN [mm]	PN	kv-value (Δp=1 bar) [l/min]	EPDM Code	FPM Code	kg
16	10	10	70	199 230 402	199 230 412	1.459
20	15	10	185	199 230 403	199 230 413	1.459
25	20	10	350	199 230 404	199 230 414	1.576
32	25	10	700	199 230 405	199 230 415	1.700
40	32	10	1000	199 230 406	199 230 416	2.751
50	40	10	1600	199 230 407	199 230 417	3.073
63	50	10	3100	199 230 408	199 230 418	3.931

d [mm]	D [mm]	H [mm]	H1 [mm]	H2 [mm]	H3 [mm]	H4 [mm]	H5 [mm]	L [mm]	L1 [mm]	L2 [mm]	L4 [mm]	L5 [mm]	L6 [mm]	L7 [mm]	z [mm]
16	50	159	27	62	168	40	77	92	194	56	25	261	76	48	64
20	50	159	27	62	168	40	77	95	194	56	25	261	76	48	64
25	58	168	30	71	168	40	77	110	194	65	25	261	76	48	72
32	68	168	36	71	168	40	77	123	194	71	25	261	76	48	79
40	84	202	44	84	187	51	99	146	224	85	45	305	95	59	94
50	97	202	51	84	187	51	99	157	224	89	45	305	95	59	95
63	124	225	64	106	187	51	99	183	224	101	45	305	95	59	107



PVC-C



DN10/15 - 50

Ball valve type 230 PVC-C FO (Fail safe to open) With manual override With solvent cement sockets metric

Model:

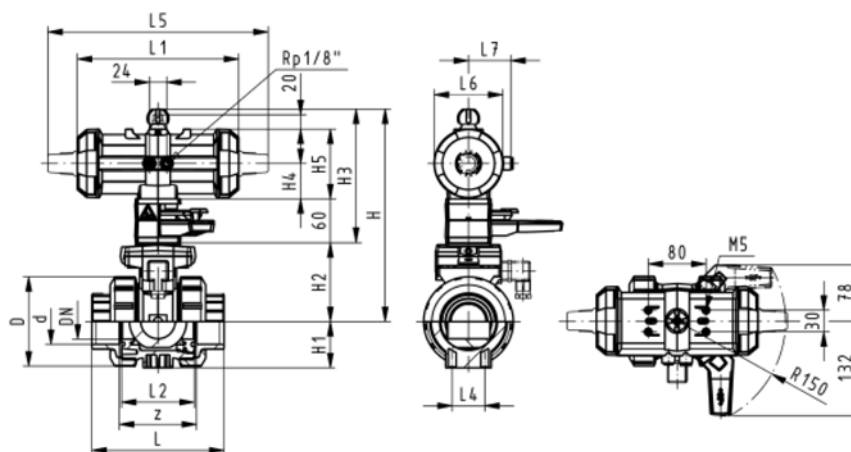
- Built on with pneumatic actuator PA11 (DN10/15-25), PA21 (DN32-50)
- Control time 90°< 1-2 s
- For easy installation and removal
- Integrated stainless steel mounting inserts

Option:

- Individual configuration of the valve (see form)

d [mm]	DN [mm]	PN	kv-value (Δp=1 bar) [l/min]	EPDM Code	FPM Code	kg
16	10	10	70	199 230 442	199 230 452	1.149
20	15	10	185	199 230 443	199 230 453	1.459
25	20	10	350	199 230 444	199 230 454	1.576
32	25	10	700	199 230 445	199 230 455	1.700
40	32	10	1000	199 230 446	199 230 456	2.751
50	40	10	1600	199 230 447	199 230 457	3.073
63	50	10	3100	199 230 448	199 230 458	3.931

d [mm]	D [mm]	H [mm]	H1 [mm]	H2 [mm]	H3 [mm]	H4 [mm]	H5 [mm]	L [mm]	L1 [mm]	L2 [mm]	L4 [mm]	L5 [mm]	L6 [mm]	L7 [mm]	z [mm]
16	50	159	27	62	168	40	77	92	194	56	25	261	76	48	64
20	50	159	27	62	168	40	77	95	194	56	25	261	76	48	64
25	58	168	30	71	168	40	77	110	194	65	25	261	76	48	72
32	68	168	36	71	168	40	77	123	194	71	25	261	76	48	79
40	84	202	44	84	187	51	99	146	224	85	45	305	95	59	94
50	97	202	51	84	187	51	99	157	224	89	45	305	95	59	95
63	124	225	64	106	187	51	99	183	224	101	45	305	95	59	107



PVC-C



DN10/15 - 50

Ball valve type 230 PVC-C DA (Double acting) With manual override With solvent cement sockets metric

Model:

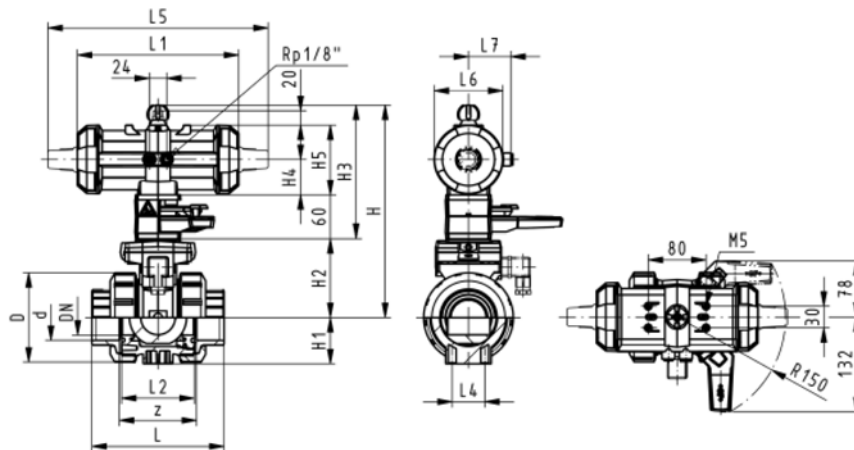
- Built on with pneumatic actuator PA11 (DN10/15-25), PA21 (DN32-50)
- Control time $90^\circ <$ 1-2 s
- For easy installation and removal
- Integrated stainless steel mounting inserts

Option:

- Individual configuration of the valve (see form)

d [mm]	DN [mm]	PN	kv-value ($\Delta p=1$ bar) [l/min]	EPDM Code	FPM Code	kg
16	10	10	70	199 230 482	199 230 492	1.459
20	15	10	185	199 230 483	199 230 493	1.459
25	20	10	350	199 230 484	199 230 494	1.576
32	25	10	700	199 230 485	199 230 495	1.700
40	32	10	1000	199 230 486	199 230 496	2.751
50	40	10	1600	199 230 487	199 230 497	3.073
63	50	10	3100	199 230 488	199 230 498	3.931

d [mm]	D [mm]	H [mm]	H1 [mm]	H2 [mm]	H3 [mm]	H4 [mm]	H5 [mm]	L [mm]	L1 [mm]	L2 [mm]	L4 [mm]	L5 [mm]	L6 [mm]	L7 [mm]	z [mm]
16	50	159	27	62	168	40	77	92	194	56	25	261	76	48	64
20	50	159	27	62	168	40	77	95	194	56	25	261	76	48	64
25	58	168	30	71	168	40	77	110	194	65	25	261	76	48	72
32	68	168	36	71	168	40	77	123	194	71	25	261	76	48	79
40	84	202	44	84	187	51	99	146	224	85	45	305	95	59	94
50	97	202	51	84	187	51	99	157	224	89	45	305	95	59	95
63	124	225	64	106	187	51	99	183	224	101	45	305	95	59	107



PVC-C

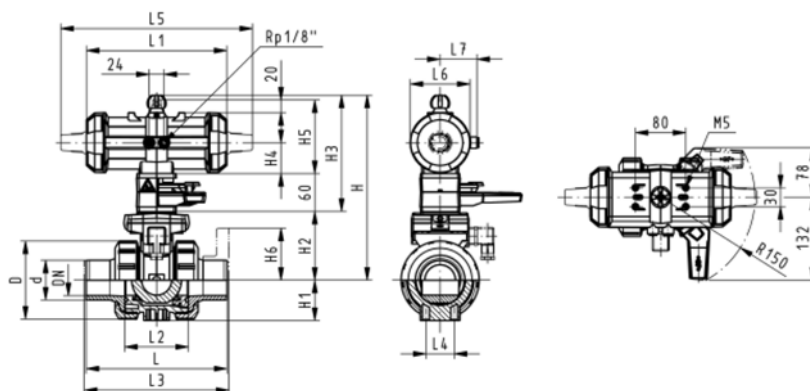


DN10/15 - 50

Ball valve type 230 PVC-C FC (fail safe to close) With manual override With solvent cement spigots metric

d [mm]	DN [mm]	PN	kv-value (Δp=1 bar) [l/min]	EPDM Code	FPM Code	kg
16	10	10	70	199 230 422	199 230 432	1.459
20	15	10	185	199 230 423	199 230 433	1.459
25	20	10	350	199 230 424	199 230 434	1.576
32	25	10	700	199 230 425	199 230 435	1.700
40	32	10	1000	199 230 426	199 230 436	2.751
50	40	10	1600	199 230 427	199 230 437	3.073
63	50	10	3100	199 230 428	199 230 438	3.931

d [mm]	D [mm]	H [mm]	H1 [mm]	H2 [mm]	H3 [mm]	H4 [mm]	H5 [mm]	L [mm]	L1 [mm]	L2 [mm]	L3 [mm]	L4 [mm]	L5 [mm]	L6 [mm]	L7 [mm]
16	50	159	27	62	168	40	77	114	194	56	130	25	261	76	48
20	50	159	27	62	168	40	77	124	194	56	130	25	261	76	48
25	58	168	30	71	168	40	77	144	194	65	150	25	261	76	48
32	68	168	36	71	168	40	77	154	194	71	160	25	261	76	48
40	84	202	44	84	187	51	99	174	224	85	180	45	305	95	59
50	97	202	51	84	187	51	99	194	224	89	200	45	305	95	59
63	124	225	64	106	187	51	99	224	224	101	230	45	305	95	59



PVC-C

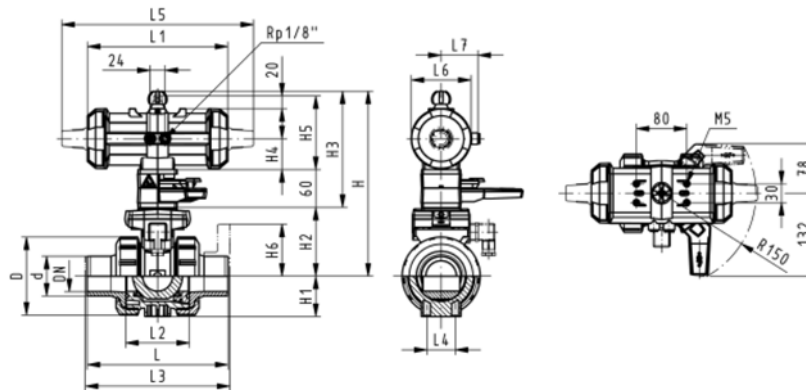
Ball valve type 230 PVC-C FO (Fail safe to open) With manual override With solvent cement spigots metric



DN10/15 - 50

d [mm]	DN [mm]	PN	kv-value (Δp=1 bar) [l/min]	EPDM Code	FPM Code	kg
16	10	10	70	199 230 462	199 230 472	1.459
20	15	10	185	199 230 463	199 230 473	1.459
25	20	10	350	199 230 464	199 230 474	1.576
32	25	10	700	199 230 465	199 230 475	1.700
40	32	10	1000	199 230 466	199 230 476	2.751
50	40	10	1600	199 230 467	199 230 477	3.073
63	50	10	3100	199 230 468	199 230 478	3.931

d [mm]	D [mm]	H [mm]	H1 [mm]	H2 [mm]	H3 [mm]	H4 [mm]	H5 [mm]	L [mm]	L1 [mm]	L2 [mm]	L3 [mm]	L4 [mm]	L5 [mm]	L6 [mm]	L7 [mm]
16	50	159	27	62	168	40	77	114	194	56	130	25	261	76	48
20	50	159	27	62	168	40	77	124	194	56	130	25	261	76	48
25	58	168	30	71	168	40	77	144	194	65	150	25	261	76	48
32	68	168	36	71	168	40	77	154	194	71	160	25	261	76	48
40	84	202	44	84	187	51	99	174	224	85	180	45	305	95	59
50	97	202	51	84	187	51	99	194	224	89	200	45	305	95	59
63	124	225	64	106	187	51	99	224	224	101	230	45	305	95	59



PVC-C

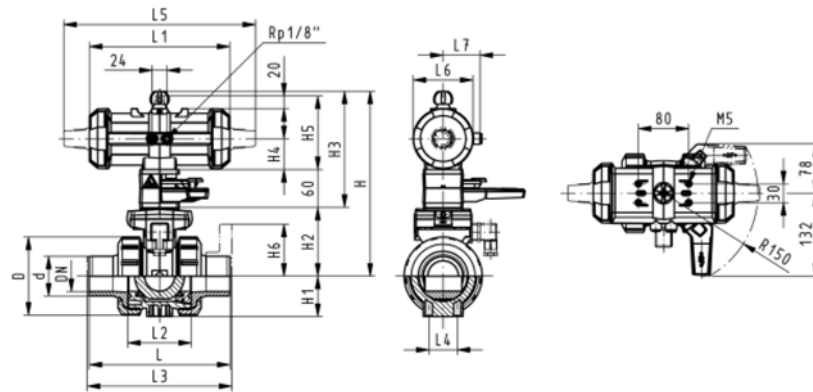


DN10/15 - 50

Ball valve type 230 PVC-C DA (Double acting) With manual override With solvent cement spigots metric

d [mm]	DN [mm]	PN	kv-value ($\Delta p=1$ bar) [l/min]	EPDM Code	FPM Code	kg
16	10	10	70	199 230 502	199 230 512	1.459
20	15	10	185	199 230 503	199 230 513	1.459
25	20	10	350	199 230 504	199 230 514	1.576
32	25	10	700	199 230 505	199 230 515	1.700
40	32	10	1000	199 230 506	199 230 516	2.751
50	40	10	1600	199 230 507	199 230 517	3.073
63	50	10	3100	199 230 508	199 230 518	3.931

d [mm]	D [mm]	H [mm]	H1 [mm]	H2 [mm]	H3 [mm]	H4 [mm]	H5 [mm]	L [mm]	L1 [mm]	L2 [mm]	L3 [mm]	L4 [mm]	L5 [mm]	L6 [mm]	L7 [mm]
16	50	159	27	62	168	40	77	114	194	56	130	25	261	76	48
20	50	159	27	62	168	40	77	124	194	56	130	25	261	76	48
25	58	168	30	71	168	40	77	144	194	65	150	25	261	76	48
32	68	168	36	71	168	40	77	154	194	71	160	25	261	76	48
40	84	202	44	84	187	51	99	174	224	85	180	45	305	95	59
50	97	202	51	84	187	51	99	194	224	89	200	45	305	95	59
63	124	225	64	106	187	51	99	224	224	101	230	45	305	95	59



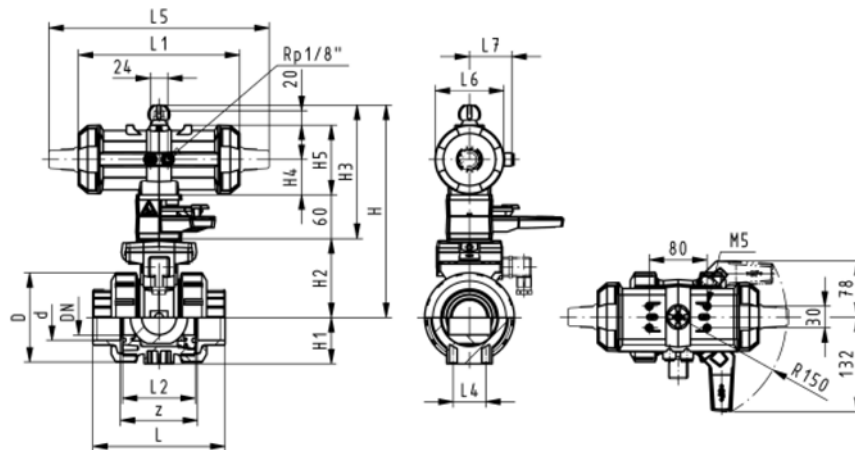
PVC-C

Ball valve type 230 PVC-C FC (fail safe to close) With manual override With threaded sockets Rp



Rp [inch]	DN [mm]	PN	kv-value ($\Delta p=1$ bar) [l/min]	EPDM Code	FPM Code	kg
3/8	10	10	70	199 230 752	199 230 772	1.500
1/2	15	10	185	199 230 753	199 230 773	1.500
3/4	20	10	350	199 230 754	199 230 774	1.600
1	25	10	700	199 230 755	199 230 775	1.700
1 1/4	32	10	1000	199 230 756	199 230 776	2.800
1 1/2	40	10	1600	199 230 757	199 230 777	3.100
2	50	10	3100	199 230 758	199 230 778	4.000

Rp [inch]	D [mm]	H [mm]	H1 [mm]	H2 [mm]	H3 [mm]	H4 [mm]	H5 [mm]	L [mm]	L1 [mm]	L2 [mm]	L4 [mm]	L5 [mm]	L6 [mm]	L7 [mm]	z [mm]
3/8	50	159	27	62	168	40	77	92	194	56	25	261	76	48	64
1/2	50	159	27	62	168	40	77	95	194	56	25	261	76	48	64
3/4	58	168	30	71	168	40	77	110	194	65	25	261	76	48	72
1	68	168	36	71	168	40	77	123	194	71	25	261	76	48	79
1 1/4	84	202	44	84	187	51	99	146	224	85	45	305	95	59	94
1 1/2	97	202	51	84	187	51	99	157	224	89	45	305	95	59	95
2	124	225	64	106	187	51	99	183	224	101	45	305	95	59	107



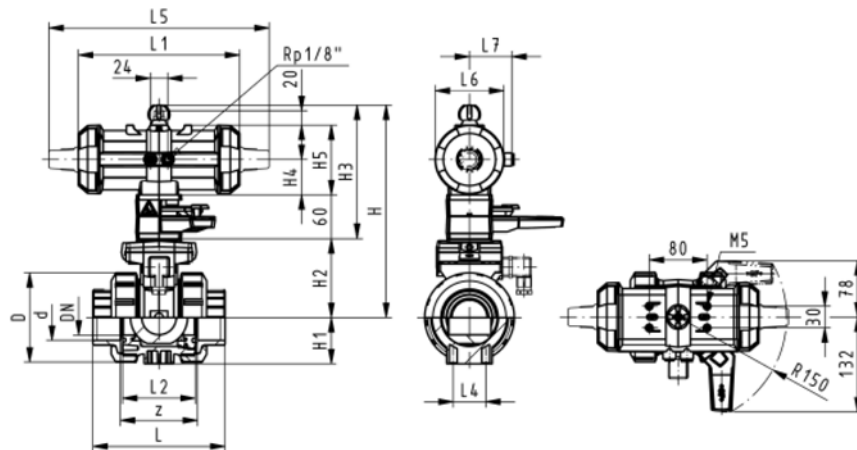
PVC-C

**Ball valve type 230 PVC-C FO (Fail safe to open)
With manual override
With threaded sockets Rp**



Rp [inch]	DN [mm]	PN	kv-value ($\Delta p=1$ bar) [l/min]	EPDM Code	FPM Code	kg
3/8	10	10	70	199 230 792	199 230 812	1.500
1/2	15	10	185	199 230 793	199 230 813	1.500
3/4	20	10	350	199 230 794	199 230 814	1.600
1	25	10	700	199 230 795	199 230 815	1.700
1 1/4	32	10	1000	199 230 796	199 230 816	2.800
1 1/2	40	10	1600	199 230 797	199 230 817	3.100
2	50	10	3100	199 230 798	199 230 818	4.000

Rp [inch]	D [mm]	H [mm]	H1 [mm]	H2 [mm]	H3 [mm]	H4 [mm]	H5 [mm]	L [mm]	L1 [mm]	L2 [mm]	L4 [mm]	L5 [mm]	L6 [mm]	L7 [mm]	z [mm]
3/8	50	159	27	62	168	40	77	92	194	56	25	261	76	48	64
1/2	50	159	27	62	168	40	77	95	194	56	25	261	76	48	64
3/4	58	168	30	71	168	40	77	110	194	65	25	261	76	48	72
1	68	168	36	71	168	40	77	123	194	71	25	261	76	48	79
1 1/4	84	202	44	84	187	51	99	146	224	85	45	305	95	59	94
1 1/2	97	202	51	84	187	51	99	157	224	89	45	305	95	59	95
2	124	225	64	106	187	51	99	183	224	101	45	305	95	59	107



PVC-C

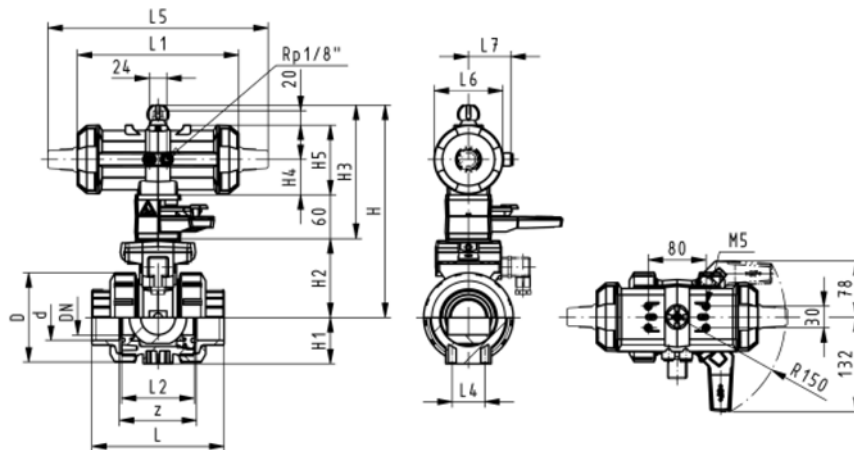
Ball valve type 230 PVC-C DA (Double acting) With manual override With threaded sockets Rp



DN10/15 - 50

Rp [inch]	DN [mm]	PN	kv-value ($\Delta p=1$ bar) [l/min]	EPDM Code	FPM Code	kg
3/8	10	10	70	199 230 832	199 230 852	1.500
1/2	15	10	185	199 230 833	199 230 853	1.500
3/4	20	10	350	199 230 834	199 230 854	1.600
1	25	10	700	199 230 835	199 230 855	1.700
1 1/4	32	10	1000	199 230 836	199 230 856	2.800
1 1/2	40	10	1600	199 230 837	199 230 857	3.100
2	50	10	3100	199 230 838	199 230 858	4.000

Rp [inch]	D [mm]	H [mm]	H1 [mm]	H2 [mm]	H3 [mm]	H4 [mm]	H5 [mm]	L [mm]	L1 [mm]	L2 [mm]	L4 [mm]	L5 [mm]	L6 [mm]	L7 [mm]	z [mm]
3/8	50	159	27	62	168	40	77	92	194	56	25	261	76	48	64
1/2	50	159	27	62	168	40	77	95	194	56	25	261	76	48	64
3/4	58	168	30	71	168	40	77	110	194	65	25	261	76	48	72
1	68	168	36	71	168	40	77	123	194	71	25	261	76	48	79
1 1/4	84	202	44	84	187	51	99	146	224	85	45	305	95	59	94
1 1/2	97	202	51	84	187	51	99	157	224	89	45	305	95	59	95
2	124	225	64	106	187	51	99	183	224	101	45	305	95	59	107



PVC-C

Ball valve type 230 PVC-C FC (Fail safe to close) Without manual override With solvent cement sockets metric



DN10/15 - 50



Model:

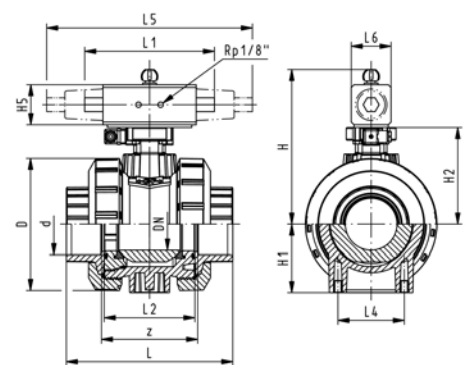
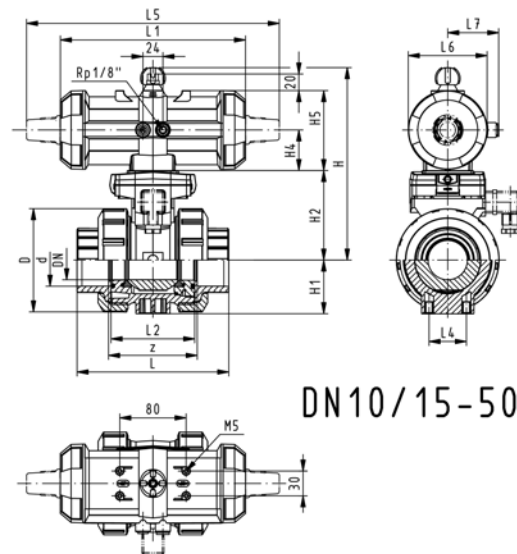
- Assignment of actuators: PA11 (DN10/15-25), PA21 (DN32-50), PA30 (DN65), PA35 (DN80), PA40 (DN100)
- For easy installation and removal
- Integrated stainless steel mounting inserts
- Control time 90°<) 1-2 s

Option:

- Individual configuration of the valve (see form)

d [mm]	DN [mm]	PN	kv-value (Δp=1 bar) [l/min]	EPDM Code	FPM Code	kg
16	10	10	70	199 230 522	199 230 532	1.159
20	15	10	185	199 230 523	199 230 533	1.159
25	20	10	350	199 230 524	199 230 534	1.276
32	25	10	700	199 230 525	199 230 535	1.400
40	32	10	1000	199 230 526	199 230 536	2.451
50	40	10	1600	199 230 527	199 230 537	2.773
63	50	10	3100	199 230 528	199 230 538	3.631
75	65	10	5000	199 230 529	199 230 539	4.400
90	80	10	7000	199 230 530	199 230 540	5.500
110	100	10	11000	199 230 531	199 230 541	8.100

d [mm]	D [mm]	H [mm]	H1 [mm]	H2 [mm]	H4 [mm]	H5 [mm]	L [mm]	L1 [mm]	L2 [mm]	L4 [mm]	L5 [mm]	L6 [mm]	L7 [mm]	z [mm]
16	50	159	27	62	40	77	92	194	56	25	261	76	48	64
20	50	159	27	62	40	77	95	194	56	25	261	76	48	64
25	58	168	30	71	40	77	110	194	65	25	261	76	48	72
32	68	168	36	71	40	77	123	194	71	25	261	76	48	79
40	84	202	44	84	51	99	146	224	85	45	305	95	59	94
50	97	202	51	84	51	99	157	224	89	45	305	95	59	95
63	124	225	64	106	51	99	183	224	101	45	305	95	59	107
75	166	262	85	156		70	233		136	70	276	65		144
90	200	281	105	168		78	254		141	70	341	72		151
110	238	292	123	175		86	301		164	120	369	80		174



PVC-C

Ball valve type 230 PVC-C FO (Fail safe to open) Without manual override With solvent cement sockets metric



DN10/15 - 50



Model:

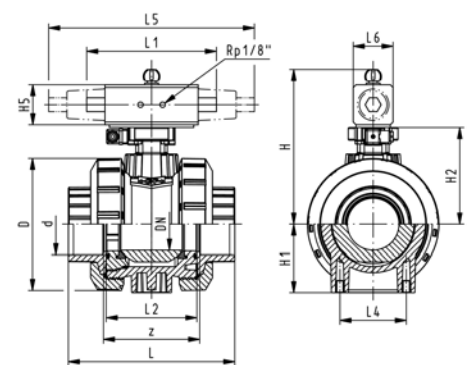
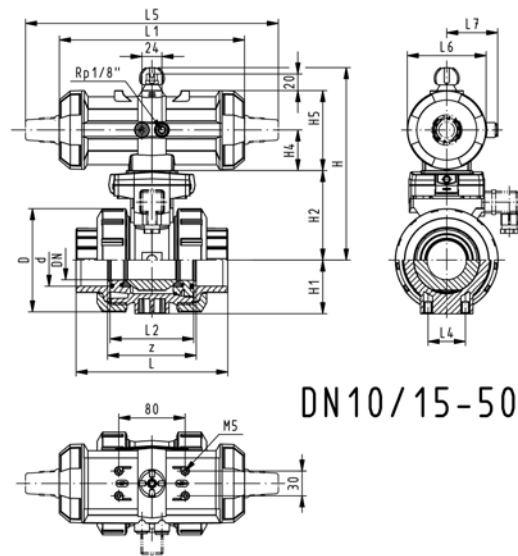
- Assignment of actuators: PA11 (DN10/15-25), PA21 (DN32-50), PA30 (DN65), PA35 (DN80), PA40 (DN100)
- For easy installation and removal
- Integrated stainless steel mounting inserts
- Control time $90^\circ <$ 1-2 s

Option:

- Individual configuration of the valve (see form)

d [mm]	DN [mm]	PN	kv-value ($\Delta p=1$ bar) [l/min]	EPDM Code	FPM Code	kg
16	10	10	70	199 230 562	199 230 572	1.159
20	15	10	185	199 230 563	199 230 573	1.159
25	20	10	350	199 230 564	199 230 574	1.276
32	25	10	700	199 230 565	199 230 575	1.400
40	32	10	1000	199 230 566	199 230 576	2.451
50	40	10	1600	199 230 567	199 230 577	2.773
63	50	10	3100	199 230 568	199 230 578	3.631
75	65	10	5000	199 230 569	199 230 579	4.400
90	80	10	7000	199 230 570	199 230 580	5.500
110	100	10	11000	199 230 571	199 230 581	8.100

d [mm]	D [mm]	H [mm]	H1 [mm]	H2 [mm]	H4 [mm]	H5 [mm]	L [mm]	L1 [mm]	L2 [mm]	L4 [mm]	L5 [mm]	L6 [mm]	L7 [mm]	z [mm]
16	50	159	27	62	40	77	92	194	56	25	261	76	48	64
20	50	159	27	62	40	77	95	194	56	25	261	76	48	64
25	58	168	30	71	40	77	110	194	65	25	261	76	48	72
32	68	168	36	71	40	77	123	194	71	25	261	76	48	79
40	84	202	44	84	51	99	146	224	85	45	305	95	59	94
50	97	202	51	84	51	99	157	224	89	45	305	95	59	95
63	124	225	64	106	51	99	183	224	101	45	305	95	59	107
75	166	262	85	156	70	233	233	136	70	276	65	76	59	144
90	200	281	105	168	78	254	254	141	70	341	72	80	59	151
110	238	292	123	175	86	301	301	164	120	369	80	80	59	174



PVC-C

Ball valve type 230 PVC-C DA (Double acting) Without manual override With solvent cement sockets metric



DN10/15 - 50



Model:

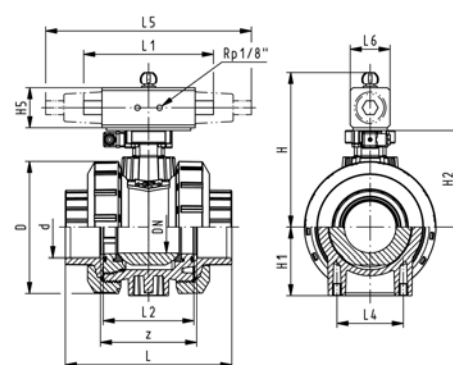
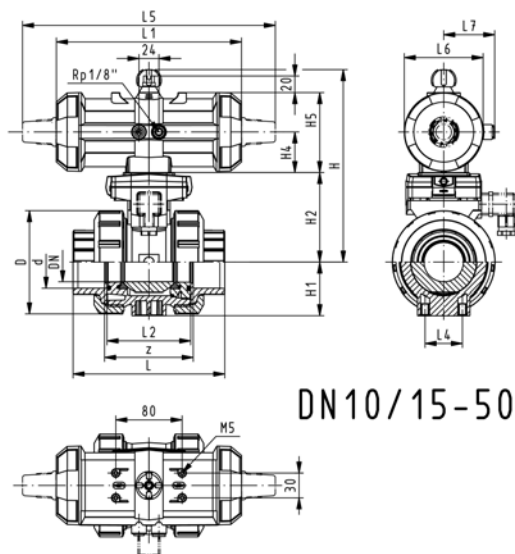
- Assignment of actuators: PA11 (DN10/15-25), PA21 (DN32-50), PA35 (DN65), PA40 (DN80), PA45 (DN100)
- For easy installation and removal
- Integrated stainless steel mounting inserts
- Control time 90°< 1-2 s

Option:

- Individual configuration of the valve (see form)

d [mm]	DN [mm]	PN	kv-value (Δp=1 bar) [l/min]	EPDM Code	FPM Code	kg
16	10	10	70	199 230 602	199 230 612	1.159
20	15	10	185	199 230 603	199 230 613	1.159
25	20	10	350	199 230 604	199 230 614	1.276
32	25	10	700	199 230 605	199 230 615	1.400
40	32	10	1000	199 230 606	199 230 616	2.451
50	40	10	1600	199 230 607	199 230 617	2.773
63	50	10	3100	199 230 608	199 230 618	3.631
75	65	10	5000	199 230 609	199 230 619	3.300
90	80	10	7000	199 230 610	199 230 620	4.800
110	100	10	11000	199 230 611	199 230 621	6.300

d [mm]	D [mm]	H [mm]	H1 [mm]	H2 [mm]	H4 [mm]	H5 [mm]	L [mm]	L1 [mm]	L2 [mm]	L4 [mm]	L5 [mm]	L6 [mm]	L7 [mm]	z [mm]
16	50	159	27	62	40	77	92	194	56	25	261	76	48	64
20	50	159	27	62	40	77	95	194	56	25	261	76	48	64
25	58	168	30	71	40	77	110	194	65	25	261	76	48	72
32	68	168	36	71	40	77	123	194	71	25	261	76	48	79
40	84	202	44	84	51	99	146	224	85	45	305	95	59	94
50	97	202	51	84	51	99	157	224	89	45	305	95	59	95
63	124	225	64	106	51	99	183	224	101	45	305	95	59	107
75	166	257	85	156		66	233	144	136	70		60		144
90	200	274	105	168		70	254	152	141	70		65		151
110	238	273	123	175		78	301	169	164	120		72		174



PVC-C

Ball valve type 230 PVC-C FC (Fail safe to close) Without manual override With solvent cement spigots metric



DN10/15 - 50



Model:

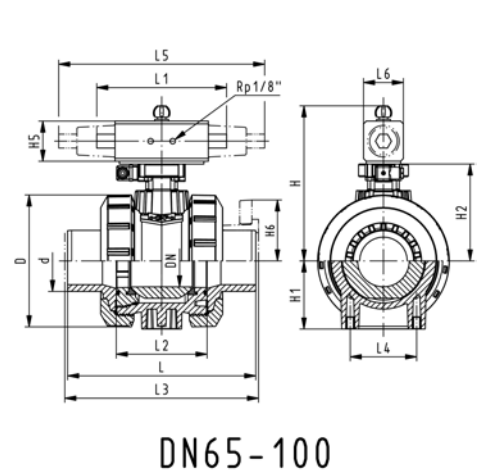
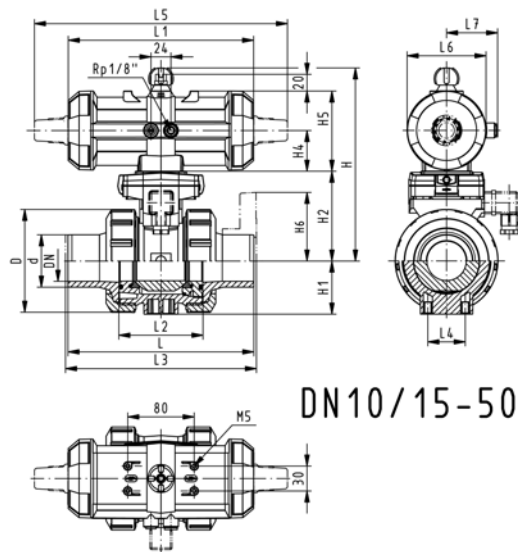
- Assignment of actuators: PA11 (DN10/15-25), PA21 (DN32-50), PA30 (DN65), PA35 (DN80), PA40 (DN100)
- For easy installation and removal
- Integrated stainless steel mounting inserts
- Control time $90^\circ <$ 1-2 s

Option:

- Individual configuration of the valve (see form)

d [mm]	DN [mm]	PN	kv-value ($\Delta p=1$ bar) [l/min]	EPDM Code	FPM Code	kg
16	10	10	70	199 230 542	199 230 552	1.159
20	15	10	185	199 230 543	199 230 553	1.159
25	20	10	350	199 230 544	199 230 554	1.276
32	25	10	700	199 230 545	199 230 555	1.400
40	32	10	1000	199 230 546	199 230 556	2.451
50	40	10	1600	199 230 547	199 230 557	2.773
63	50	10	3100	199 230 548	199 230 558	3.631
75	65	10	5000	199 230 549	199 230 559	4.600
90	80	10	7000	199 230 550	199 230 560	5.700
110	100	10	11000	199 230 551	199 230 561	8.300

d [mm]	D [mm]	H [mm]	H1 [mm]	H2 [mm]	H4 [mm]	H5 [mm]	L [mm]	L1 [mm]	L2 [mm]	L3 [mm]	L4 [mm]	L5 [mm]	L6 [mm]	L7 [mm]
16	50	159	27	62	40	77	114	194	56	0	25	261	76	48
20	50	159	27	62	40	77	124	194	56	130	25	261	76	48
25	58	168	30	71	40	77	144	194	65	150	25	261	76	48
32	68	168	36	71	40	77	154	194	71	160	25	261	76	48
40	84	202	44	84	51	99	174	224	85	180	45	305	95	59
50	97	202	51	84	51	99	194	224	89	200	45	305	95	59
63	124	225	64	106	51	99	224	224	101	230	45	305	95	59
75	166	262	85	156		70	284		136	290	70	276	65	
90	200	281	105	168		78	300		141	310	70	341	72	
110	238	292	123	175		86	340		164	350	120	369	80	



PVC-C

Ball valve type 230 PVC-C FO (Fail safe to open) Without manual override With solvent cement spigots metric



DN10/15 - 50



Model:

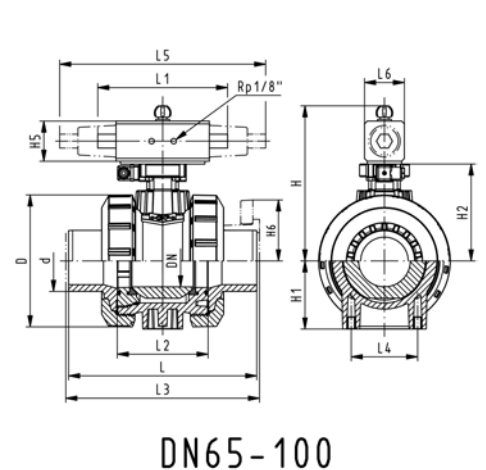
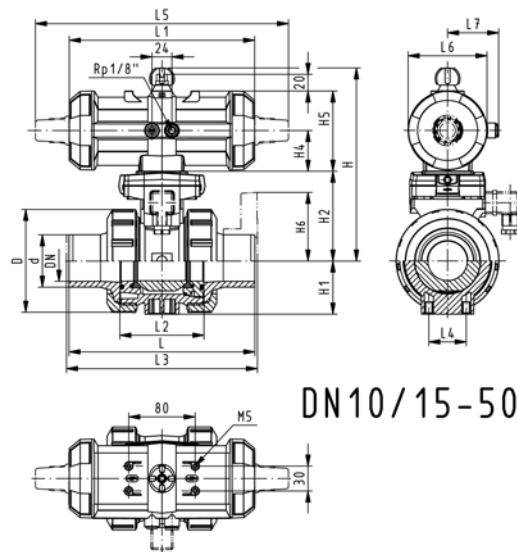
- Assignment of actuators: PA11 (DN10/15-25), PA21 (DN32-50), PA30 (DN65), PA35 (DN80), PA40 (DN100)
- For easy installation and removal
- Integrated stainless steel mounting inserts
- Control time 90°< 1-2 s

Option:

- Individual configuration of the valve (see form)

d [mm]	DN [mm]	PN	kv-value (Δp=1 bar) [l/min]	EPDM Code	FPM Code	kg
16	10	10	70	199 230 582	199 230 592	1.159
20	15	10	185	199 230 583	199 230 593	1.159
25	20	10	350	199 230 584	199 230 594	1.276
32	25	10	700	199 230 585	199 230 595	1.400
40	32	10	1000	199 230 586	199 230 596	2.451
50	40	10	1600	199 230 587	199 230 597	2.773
63	50	10	3100	199 230 588	199 230 598	3.631
75	65	10	5000	199 230 589	199 230 599	4.600
90	80	10	7000	199 230 590	199 230 600	5.700
110	100	10	11000	199 230 591	199 230 601	8.300

d [mm]	D [mm]	H [mm]	H1 [mm]	H2 [mm]	H4 [mm]	H5 [mm]	L [mm]	L1 [mm]	L2 [mm]	L3 [mm]	L4 [mm]	L5 [mm]	L6 [mm]	L7 [mm]
16	50	159	27	62	40	77	114	194	56	130	25	261	76	48
20	50	159	27	62	40	77	124	194	56	130	25	261	76	48
25	58	168	30	71	40	77	144	194	65	150	25	261	76	48
32	68	168	36	71	40	77	154	194	71	160	25	261	76	48
40	84	202	44	84	51	99	174	224	85	180	45	305	95	59
50	97	202	51	84	51	99	194	224	89	200	45	305	95	59
63	124	225	64	106	51	99	224	224	101	230	45	305	95	59
75	166	262	85	156		70	284		136	290	70	276	65	
90	200	281	105	168		78	300		141	310	70	341	72	
110	238	292	123	175		86	340		164	350	120	369	80	



PVC-C

Ball valve type 230 PVC-C DA (Double acting) Without manual override With solvent cement spigots metric



DN10/15 - 50



Model:

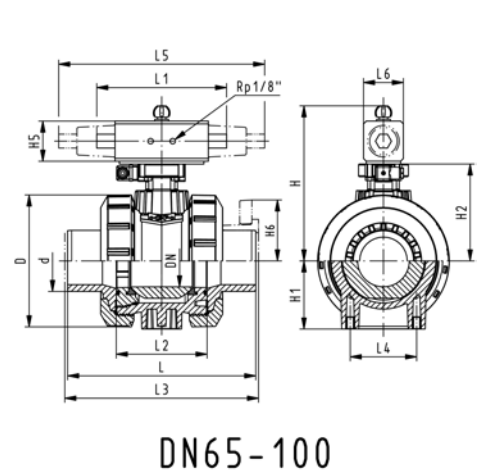
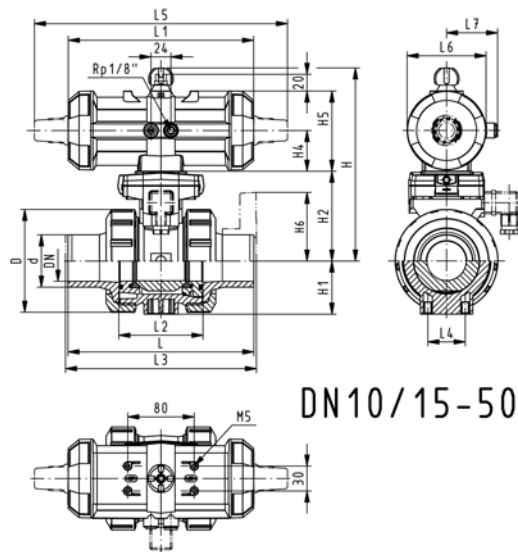
- Assignment of actuators: PA11 (DN10/15-25), PA21 (DN32-50), PA35 (DN65), PA40 (DN80), PA45 (DN100)
- For easy installation and removal
- Integrated stainless steel mounting inserts
- Control time $90^\circ <$ 1-2 s

Option:

- Individual configuration of the valve (see form)

d [mm]	DN [mm]	PN	kv-value ($\Delta p=1$ bar) [l/min]	EPDM Code	FPM Code	kg
16	10	10	70	199 230 622	199 230 632	1.159
20	15	10	185	199 230 623	199 230 633	1.159
25	20	10	350	199 230 624	199 230 634	1.276
32	25	10	700	199 230 625	199 230 635	1.400
40	32	10	1000	199 230 626	199 230 636	2.451
50	40	10	1600	199 230 627	199 230 637	2.773
63	50	10	3100	199 230 628	199 230 638	3.631
75	65	10	5000	199 230 629	199 230 639	3.500
90	80	10	7000	199 230 630	199 230 640	5.000
110	100	10	11000	199 230 631	199 230 641	6.600

d [mm]	D [mm]	H [mm]	H1 [mm]	H2 [mm]	H4 [mm]	H5 [mm]	L [mm]	L1 [mm]	L2 [mm]	L3 [mm]	L4 [mm]	L5 [mm]	L6 [mm]	L7 [mm]
16	50	159	27	62	40	77	114	194	56	130	25	261	76	48
20	50	159	27	62	40	77	124	194	56	130	25	261	76	48
25	58	168	30	71	40	77	144	194	65	150	25	261	76	48
32	68	168	36	71	40	77	154	194	71	160	25	261	76	48
40	84	202	44	84	51	99	174	224	85	180	45	305	95	59
50	97	202	51	84	51	99	194	224	89	200	45	305	95	59
63	124	225	64	106	51	99	224	224	101	230	45	305	95	59
75	166	257	85	156		66	284	144	136	290	70		60	
90	200	274	105	168		70	300	152	141	310	70		65	
110	238	273	123	175		78	340	169	164	350	120		72	



PVC-C

Ball valve type 230 PVC-C FC (Fail safe to close) Without manual override With threaded sockets Rp



DN10/15 - 50



Model:

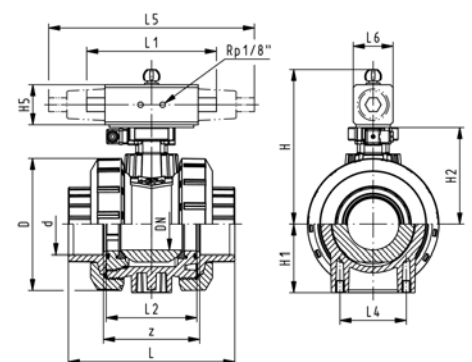
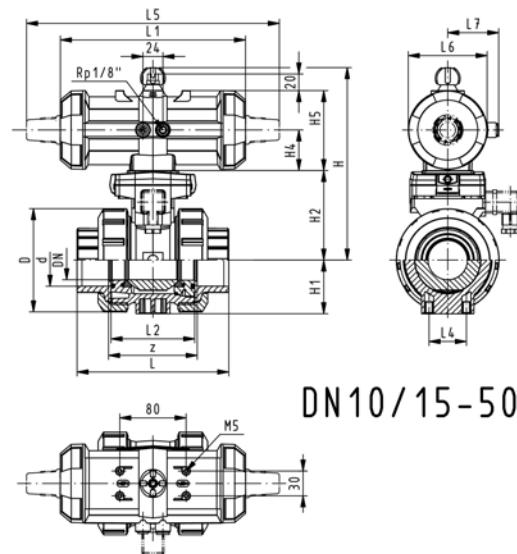
- Assignment of actuators: PA11 (DN10/15-25), PA21 (DN32-50), PA30 (DN65), PA35 (DN80), PA40 (DN100)
- For easy installation and removal
- Integrated stainless steel mounting inserts
- Control time 90°< 1-2 s

Option:

- Individual configuration of the valve (see form)

Rp [inch]	DN [mm]	PN	kv-value (Δp=1 bar) [l/min]	EPDM Code	FPM Code	kg
3/8	10	10	70	199 230 872	199 230 892	1.200
1/2	15	10	185	199 230 873	199 230 893	1.200
3/4	20	10	350	199 230 874	199 230 894	1.300
1	25	10	700	199 230 875	199 230 895	1.400
1 1/4	32	10	1000	199 230 876	199 230 896	2.500
1 1/2	40	10	1600	199 230 877	199 230 897	2.800
2	50	10	3100	199 230 878	199 230 898	3.700
2 1/2	65	10	5000	199 230 879	199 230 899	4.500
3	80	10	7000	199 230 880	199 230 900	5.600
4	100	10	11000	199 230 881	199 230 901	8.200

Rp [inch]	D [mm]	H [mm]	H1 [mm]	H2 [mm]	H4 [mm]	H5 [mm]	L [mm]	L1 [mm]	L2 [mm]	L4 [mm]	L5 [mm]	L6 [mm]	L7 [mm]	z [mm]
3/8	50	159	27	62	40	77	92	194	56	25	261	76	48	64
1/2	50	159	27	62	40	77	95	194	56	25	261	76	48	64
3/4	58	168	30	71	40	77	110	194	65	25	261	76	48	72
1	68	168	36	71	40	77	123	194	71	25	261	76	48	79
1 1/4	84	202	44	84	51	99	146	224	85	45	305	95	59	94
1 1/2	97	202	51	84	51	99	157	224	89	45	305	95	59	95
2	124	225	64	106	51	99	183	224	101	45	305	95	59	107
2 1/2	166	262	85	156		70	233		136	70	276	65		144
3	200	281	105	168		78	254		141	70	341	72		151
4	238	292	123	175		86	301		164	120	369	80		174



PVC-C



DN10/15 - 50



Ball valve type 230 PVC-C FO (Fail safe to open) Without manual override With threaded sockets Rp

Model:

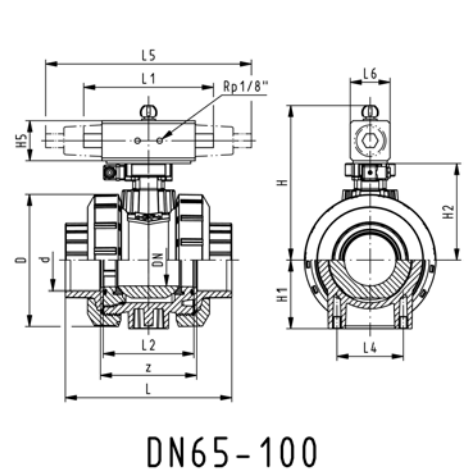
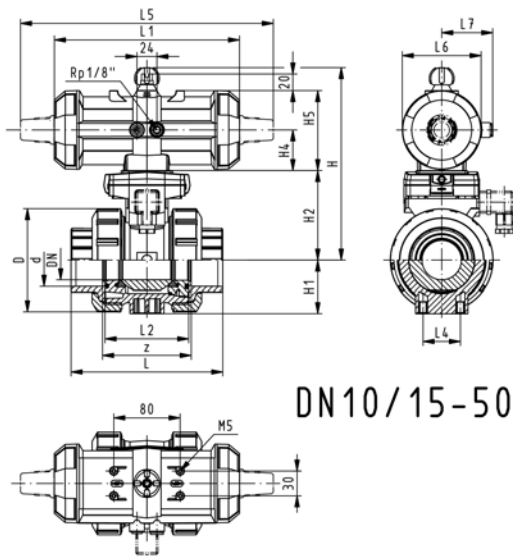
- Assignment of actuators: PA11 (DN10/15-25), PA21 (DN32-50), PA30 (DN65), PA35 (DN80), PA40 (DN100)
- For easy installation and removal
- Integrated stainless steel mounting inserts
- Control time $90^\circ <$ 1-2 s

Option:

- Individual configuration of the valve (see form)

Rp [inch]	DN [mm]	PN	kv-value ($\Delta p=1$ bar) [l/min]	EPDM Code	FPM Code	kg
3/8	10	10	70	199 230 912	199 230 932	1.200
1/2	15	10	185	199 230 913	199 230 933	1.200
3/4	20	10	350	199 230 914	199 230 934	1.300
1	25	10	700	199 230 915	199 230 935	1.400
1 1/4	32	10	1000	199 230 916	199 230 936	2.500
1 1/2	40	10	1600	199 230 917	199 230 937	2.800
2	50	10	3100	199 230 918	199 230 938	3.700
2 1/2	65	10	5000	199 230 919	199 230 939	4.500
3	80	10	7000	199 230 920	199 230 940	5.600
4	100	10	11000	199 230 921	199 230 941	8.200

Rp [inch]	D [mm]	H [mm]	H1 [mm]	H2 [mm]	H4 [mm]	H5 [mm]	L [mm]	L1 [mm]	L2 [mm]	L4 [mm]	L5 [mm]	L6 [mm]	L7 [mm]	z [mm]
3/8	50	159	27	62	40	77	92	194	56	25	261	76	48	64
1/2	50	159	27	62	40	77	95	194	56	25	261	76	48	64
3/4	58	168	30	71	40	77	110	194	65	25	261	76	48	72
1	68	168	36	71	40	77	123	194	71	25	261	76	48	79
1 1/4	84	202	44	84	51	99	146	224	85	45	305	95	59	94
1 1/2	97	202	51	84	51	99	157	224	89	45	305	95	59	95
2	124	225	64	106	51	99	183	224	101	45	305	95	59	107
2 1/2	166	262	85	156		70	233		136	70	276	65		144
3	200	281	105	168		78	254		141	70	341	72		151
4	238	292	123	175		86	301		164	120	369	80		174



PVC-C

Ball valve type 230 PVC-C DA (Double acting) Without manual override With threaded sockets Rp



Model:

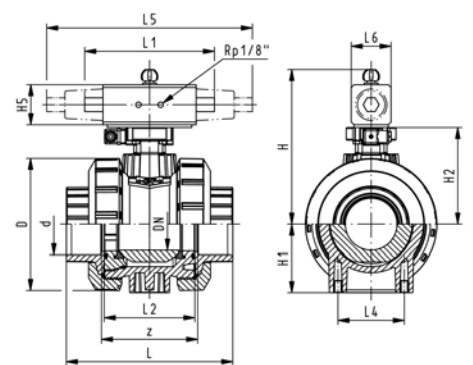
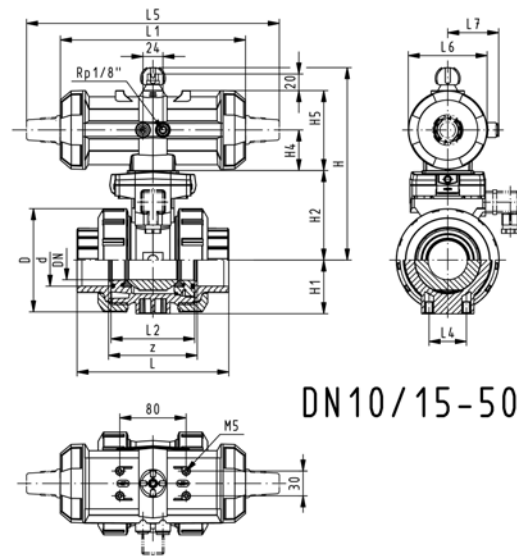
- Assignment of actuators: PA11 (DN10/15-25), PA21 (DN32-50), PA35 (DN65), PA40 (DN80), PA45 (DN100)
- For easy installation and removal
- Integrated stainless steel mounting inserts
- Control time 90°< 1-2 s

Option:

- Individual configuration of the valve (see form)

Rp [inch]	DN [mm]	PN	kv-value (Δp=1 bar) [l/min]	EPDM Code	FPM Code	kg
3/8	10	10	70	199 230 942	199 230 952	1.200
1/2	15	10	185	199 230 943	199 230 953	1.200
3/4	20	10	350	199 230 944	199 230 954	1.300
1	25	10	700	199 230 945	199 230 955	1.400
1 1/4	32	10	1000	199 230 946	199 230 956	2.500
1 1/2	40	10	1600	199 230 947	199 230 957	2.800
2	50	10	3100	199 230 948	199 230 958	3.700
2 1/2	65	10	5000	199 230 949	199 230 959	3.400
3	80	10	7000	199 230 950	199 230 960	4.900
4	100	10	11000	199 230 951	199 230 961	6.400

Rp [inch]	D [mm]	H [mm]	H1 [mm]	H2 [mm]	H4 [mm]	H5 [mm]	L [mm]	L1 [mm]	L2 [mm]	L4 [mm]	L5 [mm]	L6 [mm]	L7 [mm]	z [mm]
3/8	50	159	27	62	40	77	92	194	56	25	261	76	48	64
1/2	50	159	27	62	40	77	95	194	56	25	261	76	48	64
3/4	58	168	30	71	40	77	110	194	65	25	261	76	48	72
1	68	168	36	71	40	77	123	194	71	25	261	76	48	79
1 1/4	84	202	44	84	51	99	146	224	85	45	305	95	59	94
1 1/2	97	202	51	84	51	99	157	224	89	45	305	95	59	95
2	124	225	64	106	51	99	183	224	101	45	305	95	59	107
2 1/2	166	257	85	156		66	233	144	136	70		60		144
3	200	274	105	168		70	254	152	141	70		65		151
4	238	273	123	175		78	301	169	164	120		72		174



PVC-C



Ball valve type 230 PVC-C FC (Fail safe to close) Without manual override With backing flanges PP-st metric

Model:

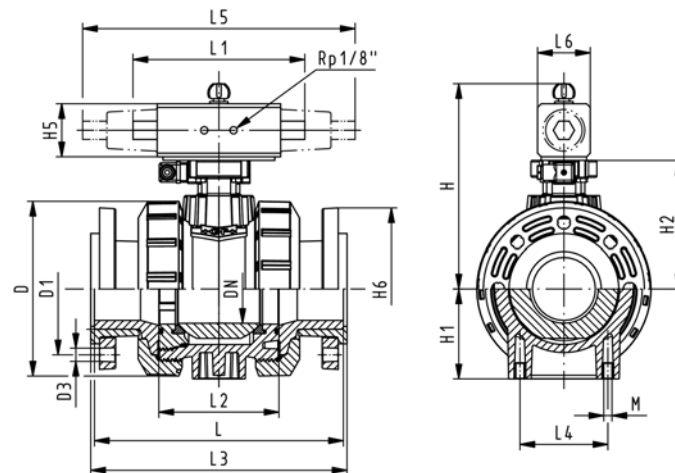
- Assignment of actuators: PA11 (DN10/15-25), PA21 (DN32-50), PA30 (DN65), PA35 (DN80), PA40 (DN100)
- For easy installation and removal
- Integrated stainless steel mounting inserts
- Control time $90^\circ <$ 1-2 s
- Overall length according to EN 558
- Connecting dimension: ISO 7005, EN 1092, BS 4504, DIN 2501

Option:

- Individual configuration of the valve (see form)

d [mm]	DN [mm]	PN	kv-value ($\Delta p=1$ bar) [l/min]	EPDM Code	FPM Code	kg
75	65	10	5000	199 234 609	199 234 619	8.600
90	80	10	7000	199 234 610	199 234 620	10.500
110	100	10	11000	199 234 611	199 234 621	14.800

d [mm]	D [mm]	H [mm]	H1 [mm]	H2 [mm]	H5 [mm]	H6 [mm]	L [mm]	L2 [mm]	L3 [mm]	L4 [mm]	L5 [mm]	L6 [mm]
75	166	262	85	156	70	93	284	136	290	70	276	65
90	200	281	105	168	78	100	300	141	310	70	341	72
110	238	292	123	175	86	110	340	164	350	120	369	80



PVC-C



Ball valve type 230 PVC-C FO (Fail safe to open) Without manual override With backing flanges PP-st metric

Model:

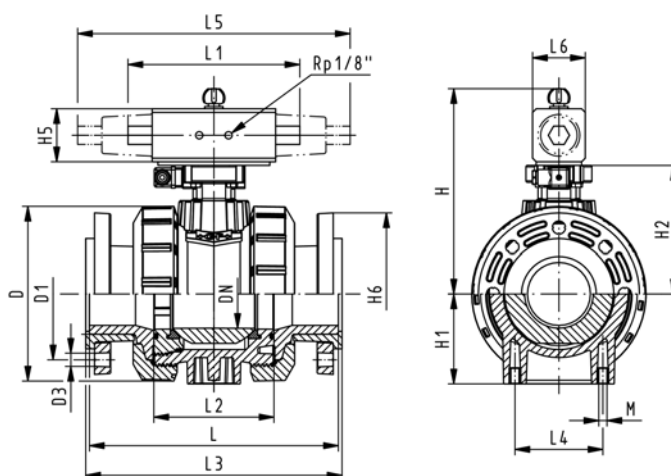
- Assignment of actuators: PA11 (DN10/15-25), PA21 (DN32-50), PA30 (DN65), PA35 (DN80), PA40 (DN100)
- For easy installation and removal
- Integrated stainless steel mounting inserts
- Control time $90^\circ <$ 1-2 s
- Overall length according to EN 558
- Connecting dimension: ISO 7005, EN 1092, BS 4504, DIN 2501

Option:

- Individual configuration of the valve (see form)

d [mm]	DN [mm]	PN	kv-value ($\Delta p=1$ bar) [l/min]	EPDM Code	FPM Code	kg
75	65	10	5000	199 234 629	199 234 639	8.600
90	80	10	7000	199 234 630	199 234 640	10.500
110	100	10	11000	199 234 631	199 234 641	14.800

d [mm]	D [mm]	H [mm]	H1 [mm]	H2 [mm]	H5 [mm]	H6 [mm]	L [mm]	L2 [mm]	L3 [mm]	L4 [mm]	L5 [mm]	L6 [mm]
75	166	262	85	156	70	93	284	136	290	70	276	65
90	200	281	105	168	78	100	300	141	310	70	341	72
110	238	292	123	175	86	110	340	164	350	120	369	80



PVC-C



Ball valve type 230 PVC-C DA (Double acting) Without manual override With backing flanges PP-st metric

Model:

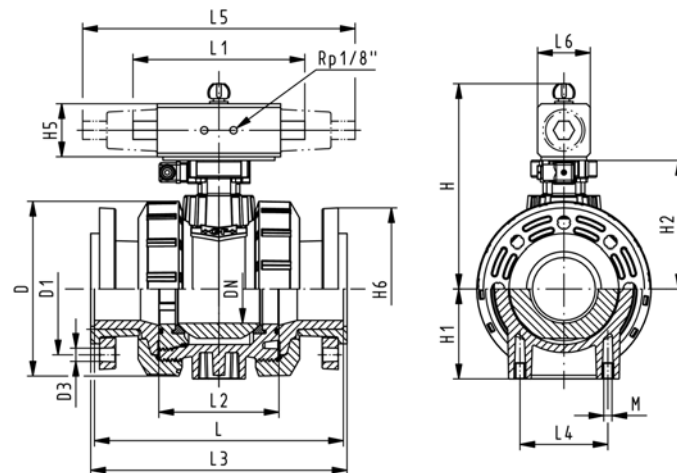
- Assignment of actuators: PA11 (DN10/15-25), PA21 (DN32-50), PA35 (DN65), PA40 (DN80), PA45 (DN100)
- For easy installation and removal
- Integrated stainless steel mounting inserts
- Control time $90^\circ <$ 1-2 s
- Overall length according to EN 558
- Connecting dimension: ISO 7005, EN 1092, BS 4504, DIN 2501

Option:

- Individual configuration of the valve (see form)

d [mm]	DN [mm]	PN	kv-value ($\Delta p=1$ bar) [l/min]	EPDM Code	FPM Code	kg
75	65	10	5000	199 234 649	199 234 659	7.400
90	80	10	7000	199 234 650	199 234 660	9.800
110	100	10	11000	199 234 651	199 234 661	13.100

d [mm]	D [mm]	H [mm]	H1 [mm]	H2 [mm]	H5 [mm]	H6 [mm]	L [mm]	L1 [mm]	L2 [mm]	L3 [mm]	L4 [mm]	L6 [mm]
75	166	257	85	156	66	93	284	144	136	290	70	60
90	200	274	105	168	70	100	300	152	141	310	70	65
110	238	273	123	175	78	110	340	169	164	350	120	72



Copiable

Configurator GF ball valve type 546 PVC-C

Ball Valve

A01 Ball Valve 546

Material

B02 PVC-C

Dimension

C05 DN 10 3/8"
 C06 DN 15 1/2"
 C07 DN 20 3/4"
 C08 DN 25 1"
 C09 DN 32 1 1/4"
 C10 DN 40 1 1/2"
 C11 DN 50 2"
 C12 DN 65 2 1/2"
 C13 DN 80 3"
 C14 DN 100 4"

Version

D01 Standard, PTFE ball seal
 D02 oilfree, PTFE ball seal (only with specific connecting parts)
 D03 silicon-free, PTFE ball seal (only with specific connecting parts)
 D04 silicon-free, PVDF ball seal metric (only with specific connecting parts)

Seals

E01 EPDM seals
 E02 FPM seals

Threaded inserts

F01 without threaded inserts
 F02 with threaded inserts

Connecting parts

G11 PVC-C Cement socket metric
 G12 PVC-C Cement socket JIS
 G13 PVC-C Cement socket inch ASTM
 G14 PVC-C Cement spigot metric
 G15 PVC-C Threaded socket Rp
 G16 PVC-C Threaded socket Rp reinforced (DN10-50)
 G17 PVC-C Threaded socket NPT
 G40 PE-100 Butt fusion metric
 G41 PE-100 Butt fusion spigot SDR11 metric
 G42 PE-100 Butt fusion spigot SDR17.6 metric (DN65-100)
 G43 PE-100 Butt fusion spigot long SDR11 metric
 G72 Backing flange PP-steel metric
 G73 Backing flange PP-steel inch ANSI
 G81 PVC-C Valve end blank

Multi-functional module

I01 No multi-functional module
 I02 Empty module
 I03 Module with 2 end switches Ag, Ni
 I04 Module with 2 end switches Au
 I05 Module with 2 inductive switches Namur
 I06 Module with 2 inductive switches PNP
 I07 Module with 2 inductive switches NPN

Lever

K01 Standard lever red
 K02 Standard lever black
 K11 Multi-functional lever red

Mounting plate

L01 without mounting plate
 L02 with mounting plate

A01 B02 C D E F G G I K L

left right

You will find a large selection of different versions in our range of products. New system elements also provide you with new opportunities for use. In order for us to supply exactly the ball valve you need for your application, we have created a selection menu for you.

We supply what you put together.

Copiable GF ball valve type 546 with pneumatic actuator

It's so easy to configure the type 546:

With the configurator, you have a choice of new pneumatic actuators PA11 and PA21 in 2 optimized sizes including a large range of accessories.

We supply what you put together.



Pneumatic actuators PA11/PA21

- P01 Fail safe to close PA11/PA21
- P02 Fail safe to open PA11/21
- P03 Double acting PA11/21
- P30 Fail safe to close PA30/90
- P31 Fail safe to open PA30/90
- P32 Double acting PA30/90

Manual override

- Q01 without manual override
- Q02 with manual override

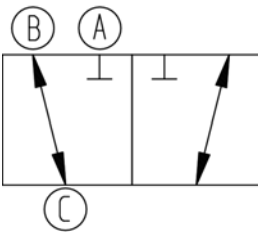
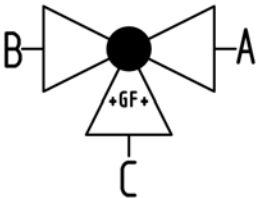
Stroke limiter

- R01 without stroke limiter
- R02 with stroke limiter

P	Q	R	
----------	----------	----------	--

PVC-C

3-Way ball valve type 285 PVC-C Horizontal/L-port Without manual override With solvent cement sockets metric



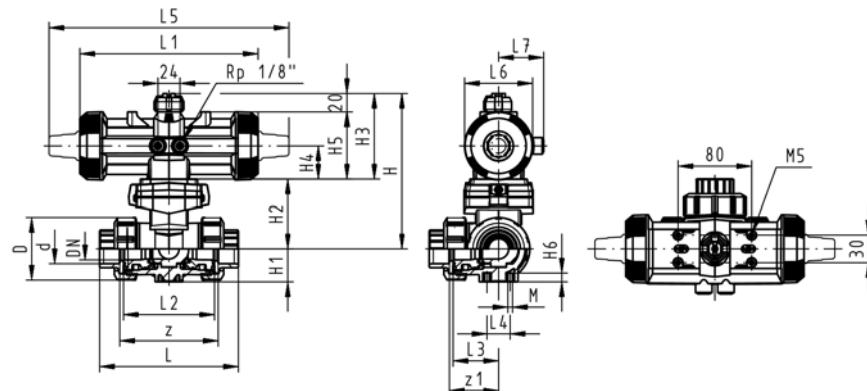
Model:

- Built on with pneumatic actuator PA11 (DN10/15-25), PA21 (DN32-50)
- Actuator fails safe to the closed position FC
- Basic position B-C opened, activated position A-C opened, see flow scheme
- Control time 90°< 1-3 s
- For easy installation and removal
- Integrated stainless steel mounting inserts

d [mm]	DN [mm]	PN	kv-value (Δp=1 bar) [l/min]	EPDM Code	FPM Code	kg
16	10	10	50	199 285 102	199 285 112	1.136
20	15	10	75	199 285 103	199 285 113	1.142
25	20	10	150	199 285 104	199 285 114	1.280
32	25	10	280	199 285 105	199 285 115	1.486
40	32	10	480	199 285 106	199 285 116	2.619
50	40	10	620	199 285 107	199 285 117	3.110
63	50	10	1230	199 285 108	199 285 118	4.585

d [mm]	D [mm]	H [mm]	H1 [mm]	H2 [mm]	H3 [mm]	H4 [mm]	H5 [mm]	H6 [mm]	L [mm]	L1 [mm]	L2 [mm]	L3 [mm]	L4 [mm]	L5 [mm]	L6 [mm]
16	50	159	28	62	97	40	77	8	109	194	73	36	25	261	76
20	50	159	28	62	97	40	77	8	112	194	73	36	25	261	76
25	58	168	32	71	97	40	77	8	131	194	86	43	25	261	76
32	68	168	36	71	97	40	77	8	151	194	99	50	25	261	76
40	84	203	45	84	119	51	99	9	181	224	120	60	45	305	95
50	97	203	51	84	119	51	99	9	205	224	137	69	45	305	95
63	124	225	65	106	119	51	99	9	261	224	179	89	45	305	95

d [mm]	L7 [mm]	M	z [mm]	z1 [mm]
16	48	6	81	40
20	48	6	81	40
25	48	6	94	47
32	48	6	107	54
40	59	8	130	65
50	59	8	143	72
63	59	8	185	92



PVC-C

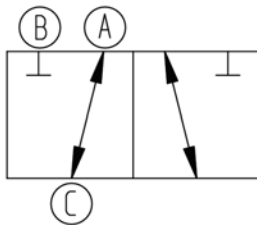
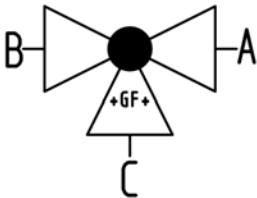


3-Way ball valve type 285 PVC-C Horizontal/L-port DA (Double acting) Without manual override With solvent cement sockets metric



Model:

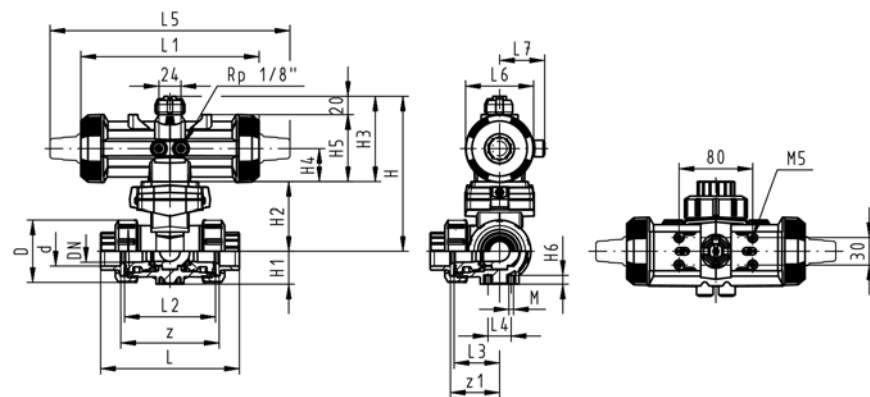
- Built on with pneumatic actuator PA11 (DN10/15-25), PA21 (DN32-50)
- Basic position A-C opened, activated position B-C opened, see flow scheme
- Control time $90^\circ <$ 1-3 s
- For easy installation and removal
- Integrated stainless steel mounting inserts



d [mm]	DN [mm]	PN	kv-value ($\Delta p=1$ bar) [l/min]	EPDM Code	FPM Code	kg
16	10	10	50	199 285 282	199 285 292	9.459
20	15	10	75	199 285 283	199 285 293	9.524
25	20	10	150	199 285 284	199 285 294	1.090
32	25	10	280	199 285 285	199 285 295	1.296
40	32	10	480	199 285 286	199 285 296	2.195
50	40	10	620	199 285 287	199 285 297	2.686
63	50	10	1230	199 285 288	199 285 298	4.161

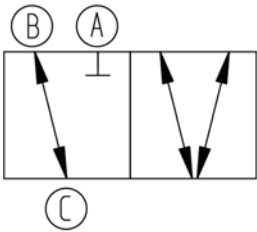
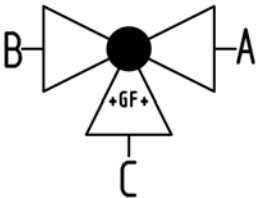
d [mm]	D [mm]	H [mm]	H1 [mm]	H2 [mm]	H3 [mm]	H4 [mm]	H5 [mm]	H6 [mm]	L [mm]	L1 [mm]	L2 [mm]	L3 [mm]	L4 [mm]	L5 [mm]	L6 [mm]
16	50	159	28	62	97	40	77	8	109	194	73	36	25	261	76
20	50	159	28	62	97	40	77	8	112	194	73	36	25	261	76
25	58	168	32	71	97	40	77	8	131	194	86	43	25	261	76
32	68	168	36	71	97	40	77	8	151	194	99	50	25	261	76
40	84	203	45	84	119	51	99	9	181	224	120	60	45	305	95
50	97	203	51	84	119	51	99	9	205	224	137	69	45	305	95
63	124	225	65	106	119	51	99	9	261	224	179	89	45	305	95

d [mm]	L7 [mm]	M	z [mm]	z1 [mm]
16	48	6	81	40
20	48	6	81	40
25	48	6	94	47
32	48	6	107	54
40	59	8	130	65
50	59	8	143	72
63	59	8	185	92



PVC-C

3-Way ball valve type 285 PVC-C Horizontal/T-port Without manual override With solvent cement sockets metric



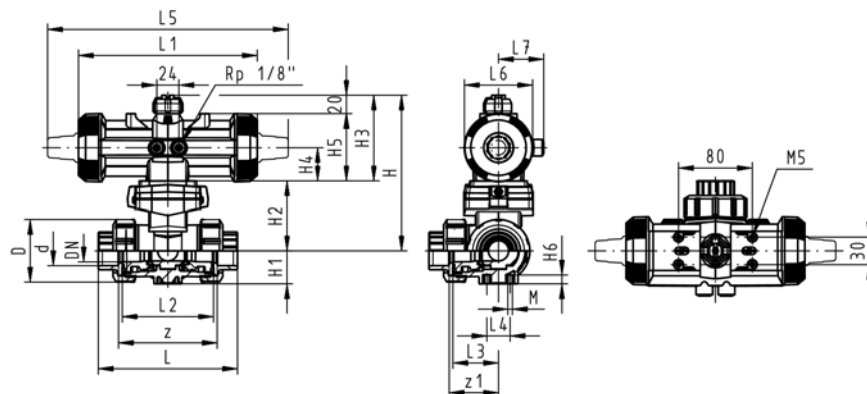
Model:

- Built on with pneumatic actuator PA11 (DN10/15-25), PA21 (DN32-50)
- Actuator fails safe to the closed position FC
- Basic position B-C opened, activated position A-B-C opened, see flow scheme
- Control time 90°< 1-3 s
- For easy installation and removal
- Integrated stainless steel mounting inserts

d [mm]	DN [mm]	PN	kv-value (Δp=1 bar) [l/min]	EPDM Code	FPM Code	kg
16	10	10	140	199 285 142	199 285 152	1.135
20	15	10	200	199 285 143	199 285 153	1.141
25	20	10	470	199 285 144	199 285 154	1.278
32	25	10	793	199 285 145	199 285 155	1.479
40	32	10	1290	199 285 146	199 285 156	2.608
50	40	10	1910	199 285 147	199 285 157	3.088
63	50	10	3100	199 285 148	199 285 158	4.536

d [mm]	D [mm]	H [mm]	H1 [mm]	H2 [mm]	H3 [mm]	H4 [mm]	H5 [mm]	H6 [mm]	L [mm]	L1 [mm]	L2 [mm]	L3 [mm]	L4 [mm]	L5 [mm]	L6 [mm]
16	50	159	28	62	97	40	77	8	109	194	73	36	25	261	76
20	50	159	28	62	97	40	77	8	112	194	73	36	25	261	76
25	58	168	32	71	97	40	77	8	131	194	86	43	25	261	76
32	68	168	36	71	97	40	77	8	151	194	99	50	25	261	76
40	84	203	45	84	119	51	99	9	181	224	120	60	45	305	95
50	97	203	51	84	119	51	99	9	205	224	137	69	45	305	95
63	124	225	65	106	119	51	99	9	261	224	179	89	45	305	95

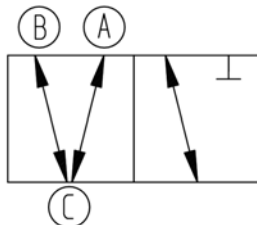
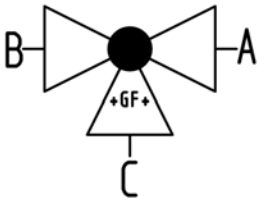
d [mm]	L7 [mm]	M	z [mm]	z1 [mm]
16	48	6	81	40
20	48	6	81	40
25	48	6	94	47
32	48	6	107	54
40	59	8	130	65
50	59	8	143	72
63	59	8	185	92



PVC-C



3-Way ball valve type 285 PVC-C Horizontal/T-port DA (Double acting) Without manual override With solvent cement sockets metric



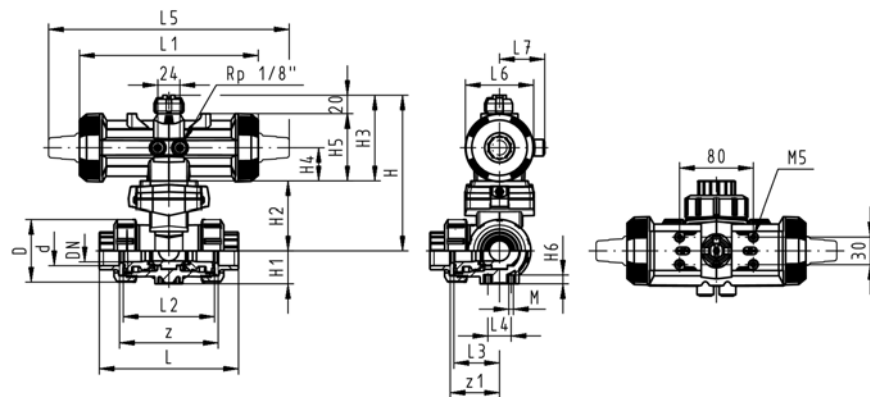
Model:

- Built on with pneumatic actuator PA11 (DN10/15-25), PA21 (DN32-50)
- Basic position A-B-C opened, activated position B-C opened, see flow scheme
- Control time 90° < 1-3 s
- For easy installation and removal
- Integrated stainless steel mounting inserts

d [mm]	DN [mm]	PN	kv-value (Δp=1 bar) [l/min]	EPDM Code	FPM Code	kg
16	10	10	140	199 285 322	199 285 332	9.448
20	15	10	200	199 285 323	199 285 333	9.513
25	20	10	470	199 285 324	199 285 334	1.088
32	25	10	793	199 285 325	199 285 335	1.289
40	32	10	1290	199 285 326	199 285 336	2.184
50	40	10	1910	199 285 327	199 285 337	2.664
63	50	10	3100	199 285 328	199 285 338	4.112

d [mm]	D [mm]	H [mm]	H1 [mm]	H2 [mm]	H3 [mm]	H4 [mm]	H5 [mm]	H6 [mm]	L [mm]	L1 [mm]	L2 [mm]	L3 [mm]	L4 [mm]	L5 [mm]	L6 [mm]
16	50	159	28	62	97	40	77	8	109	194	73	36	25	261	76
20	50	159	28	62	97	40	77	8	112	194	73	36	25	261	76
25	58	168	32	71	97	40	77	8	131	194	86	43	25	261	76
32	68	168	36	71	97	40	77	8	151	194	99	50	25	261	76
40	84	203	45	84	119	51	99	9	181	224	120	60	45	305	95
50	97	203	51	84	119	51	99	9	205	224	137	69	45	305	95
63	124	225	65	106	119	51	99	9	261	224	179	89	45	305	95

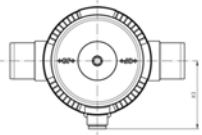
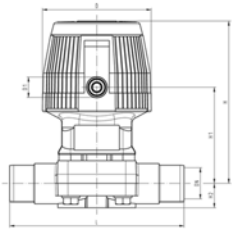
d [mm]	L7 [mm]	M	z [mm]	z1 [mm]
16	48	6	81	40
20	48	6	81	40
25	48	6	94	47
32	48	6	107	54
40	59	8	130	65
50	59	8	143	72
63	59	8	185	92



PVC-C

Diaphragm valves pneumatic

Diaphragm valve DIASTAR Eco PVC-C FC (Fail safe to close) With solvent cement spigots metric



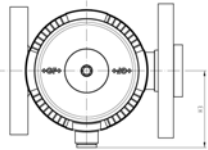
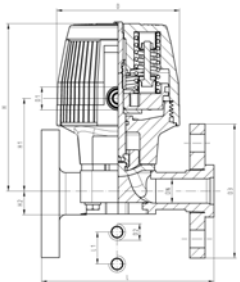
Model:

- Working pressure 6 bar **one side**

d [mm]	DN [mm]	PN	kv-value (Δp=1 bar) [l/min]	EPDM Code	kg
20	15	6	72	199 024 121	0.516
25	20	6	120	199 024 122	1.043
32	25	6	238	199 024 123	1.308
40	32	6	341	199 024 124	1.936
50	40	6	460	199 024 125	2.517
63	50	6	685	199 024 126	3.011

d [mm]	D [mm]	D1_G [inch]	D2 (M)	L [mm]	L1 [mm]	H [mm]	H1 [mm]	H2 [mm]	H3 [mm]	Lift = Hx [mm]
20	68	1/8	M6	124	25	99	59	14	44	8
25	96	1/8	M6	144	25	130	71	18	56	10
32	96	1/8	M6	154	25	143	85	21	56	12
40	120	1/8	M8	174	45	170	97	26	68	14
50	120	1/8	M8	194	45	182	109	33	68	16
63	120	1/8	M8	224	45	199	126	39	68	16

Diaphragm valve DIASTAR Eco PVC-C FC (Fail safe to close) With backing flanges PP-V metric



Model:

- Working pressure 6 bar **one side**
- Connecting dimensions: ISO 7005 / EN 1092 / DIN 2501 PN10 / BS4504

d [mm]	DN [mm]	Inch	PN	kv-value (Δp=1 bar) [l/min]	EPDM Code	kg
20	15	1/2	6	72	199 024 151	0.568
25	20	3/4	6	120	199 024 152	1.155
32	25	1	6	238	199 024 153	1.451
40	32	1 1/4	6	341	199 024 154	2.185
50	40	1 1/2	6	460	199 024 155	3.173
63	50	2	6	685	199 024 156	4.028

d [mm]	D [mm]	D1_G [inch]	D2 (M)	D3 [mm]	L [mm]	L1 [mm]	H [mm]	H1 [mm]	H2 [mm]	H3 [mm]	Lift = Hx [mm]
20	68	1/8	M6	95	130	25	99	59	14	44	8
25	96	1/8	M6	105	150	25	130	71	18	56	10
32	96	1/8	M6	115	160	25	143	85	21	56	12
40	120	1/8	M8	140	180	45	170	97	26	68	14
50	120	1/8	M8	150	200	45	182	109	33	68	16
63	120	1/8	M8	165	230	45	199	126	39	68	16

PVC-C



Diaphragm valve type DIASTAR PVC-C Series 028 FC (Fail safe to close) With solvent cement spigots metric

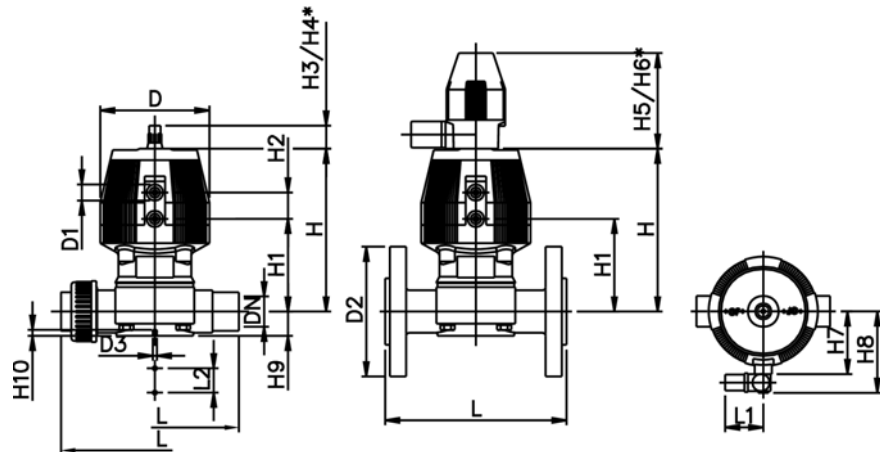
- With position indicator / Working pressure: **one side**

*PN: EPDM/PTFE

d [mm]	DN [mm]	PN [bar]		kv-value ($\Delta p=1$ bar) [l/min]	EPDM Code	PTFE/EPDM Code	kg
20	15	10 / 5	*	72	199 028 631	199 028 661	0.470
25	20	10 / 7	*	120	199 028 632	199 028 662	0.900
32	25	10 / 7	*	238	199 028 633	199 028 663	1.190
40	32	10 / 7	*	341	199 028 634	199 028 664	1.650
50	40	10 / 7	*	460	199 028 635	199 028 665	3.050
63	50	10 / 7	*	685	199 028 636	199 028 666	5.200

d [mm]	D [mm]	D1_G [inch]	D3[M] [mm]	L [mm]	L1 [mm]	L2 [mm]	H [mm]	H1 [mm]	H2 [mm]	H3 [mm]	H4 [mm]	H5 [mm]	H6 [mm]	H7 [mm]
20	68	1/8	6	124	60	25	99	59	24	23	44	100	155	44
25	96	1/8	6	144	60	25	130	71	25	23	44	100	155	56
32	96	1/8	6	154	60	25	143	85	25	23	44	100	155	56
40	120	1/8	8	174	60	45	170	97	26	36	64	100	160	68
50	150	1/4	8	194	60	45	203	108	36	36	64	100	170	85
63	150	1/4	8	224	60	45	220	126	36	36	64	100	170	85

d [mm]	H8 [mm]	H9 [mm]	H10 [mm]	Lift = Hx [mm]
20	76	14	12	8
25	88	18	12	10
32	88	21	12	12
40	100	26	15	14
50	117	33	15	18
63	117	39	15	22



PVC-C

Diaphragm valve type DIASTAR PVC-C Series 028 FC (Fail safe to close) With backing flanges PP-V metric

Model:

- Connecting dimensions: ISO 7005 / EN 1092 / DIN 2501 PN10 / BS4504
- With position indicator / Working pressure: **one side**

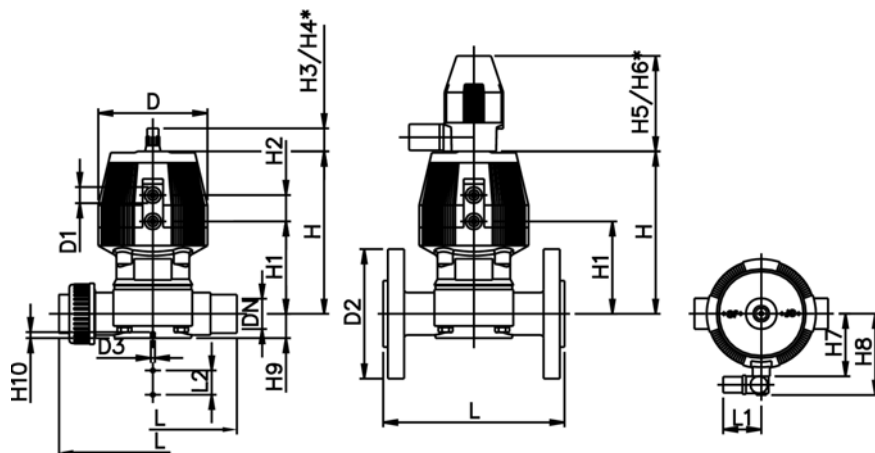
*PN: EPDM/PTFE



d [mm]	DN [mm]	Inch	PN [bar]		kv-value ($\Delta p=1$ bar) [l/min]	EPDM Code	PTFE/EPDM Code	kg
20	15	1/2	10 / 5	*	72	199 028 691	199 028 721	0.690
25	20	3/4	10 / 7	*	120	199 028 692	199 028 722	1.100
32	25	1	10 / 7	*	238	199 028 693	199 028 723	1.470
40	32	1 1/4	10 / 7	*	341	199 028 694	199 028 724	2.170
50	40	1 1/2	10 / 7	*	460	199 028 695	199 028 725	3.050
63	50	2	10 / 7	*	685	199 028 696	199 028 726	4.600

d [mm]	D [mm]	D1_G [inch]	D2 [mm]	D3[M] [mm]	L [mm]	L1 [mm]	L2 [mm]	H [mm]	H1 [mm]	H2 [mm]	H3 [mm]	H4 [mm]	H5 [mm]	H6 [mm]
20	68	1/8	95	6	130	60	25	99	59	24	23	44	100	155
25	96	1/8	105	6	150	60	25	130	71	25	23	44	100	155
32	96	1/8	115	6	160	60	25	143	85	25	23	44	100	155
40	120	1/8	140	8	180	60	45	170	97	26	36	64	100	160
50	150	1/4	150	8	200	60	45	203	108	36	36	64	100	170
63	150	1/4	165	8	230	60	45	220	126	36	36	64	100	170

d [mm]	H7 [mm]	H8 [mm]	H9 [mm]	H10 [mm]	Lift = Hx [mm]
20	44	76	14	12	8
25	56	88	18	12	10
32	56	88	21	12	12
40	68	100	26	15	14
50	85	117	33	15	18
63	85	117	39	15	22



PVC-C

Diaphragm valve type DIASTAR PVC-C Series 025 FC (Fail safe to close) With fixed flanges PVC-C metric



Model:

- Connecting dimensions: ISO 7005 / EN 1092 / DIN 2501 PN10 / BS4504
- With position indicator / Working pressure: **one side**

** with fixed flanges PVC-C metric and Inch ANSI

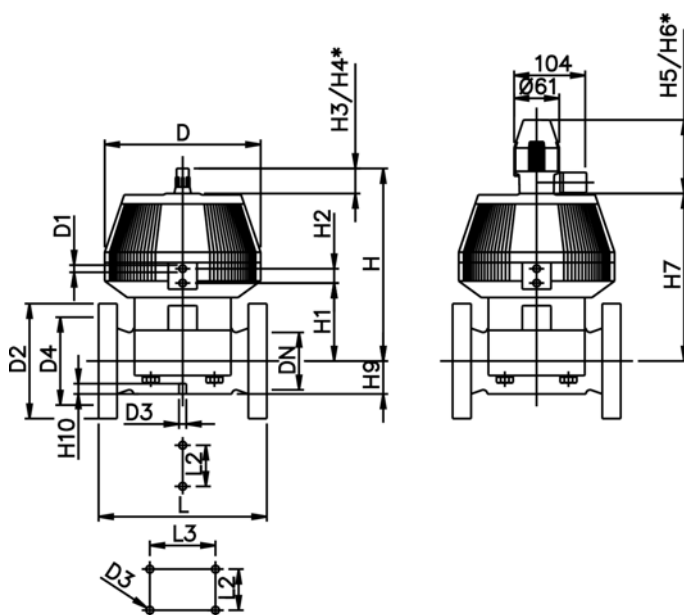
** Connecting dimensions DN80 and DN150 metric and Inch ANSI B16.5

* With backing flanges PP-V

d [mm]	DN [mm]	Inch	PN	kv-value ($\Delta p=1$ bar) [l/min]	EPDM Code	PTFE/EPDM Code	kg
* 75	65	2 ½	10	992	199 025 697	199 025 727	13.600
** 90	80	3	10	1700	199 025 698	199 025 728	13.600
110	100	4	8	2700	199 025 699	199 025 729	24.700

d [mm]	D [mm]	D1_G [inch]	D2 [mm]	D3[M] [mm]	D4 [mm]	L [mm]	L2 [mm]	H [mm]	H1 [mm]	H2 [mm]	H3 [mm]	H4 [mm]	H5 [mm]	H6 [mm]
* 75	280	¼	185	8	145	290	70	344	148	24	46	100	129	195
** 90	280	¼	200	12	160	310	120	348	150	24	46	100	129	195
110	335	¼	225	12	180	350	120	395	176	24	46	100	129	195

d [mm]	H7 [mm]	H9 [mm]	H10 [mm]
* 75	298	46	15
** 90	302	57	15
110	349	69	20



PVC-C



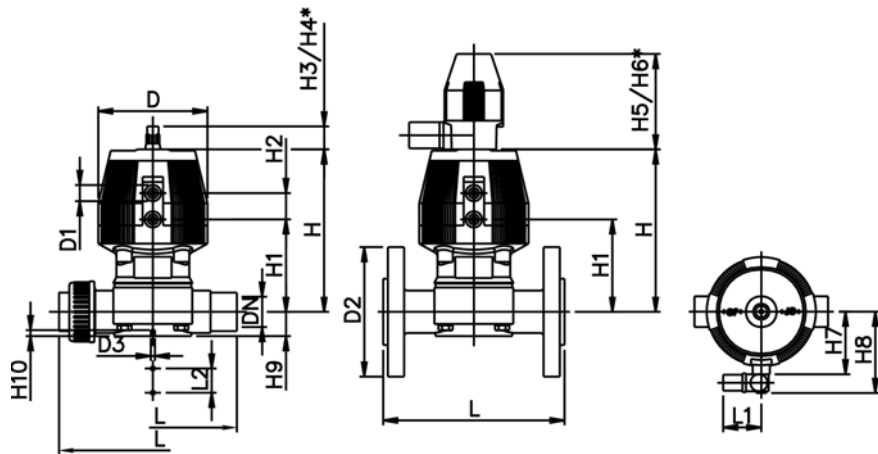
Diaphragm valve type DIASTAR PVC-C Series 025 FC (Fail safe to close) With solvent cement spigots metric

- With position indicator / Working pressure: **both sides**

d [mm]	DN [mm]	PN	kv-value (Δp=1 bar) [l/min]	EPDM Code	PTFE/EPDM Code	kg
20	15	10	72	199 025 631	199 025 661	0.810
25	20	10	120	199 025 632	199 025 662	0.891
32	25	10	238	199 025 633	199 025 663	1.632
40	32	10	341	199 025 634	199 025 664	2.766
50	40	10	460	199 025 635	199 025 665	4.456
63	50	10	685	199 025 636	199 025 666	5.031

d [mm]	D [mm]	D1_G [inch]	D3[M] [mm]	L [mm]	L1 [mm]	L2 [mm]	H [mm]	H1 [mm]	H2 [mm]	H3 [mm]	H4 [mm]	H5 [mm]	H6 [mm]	H7 [mm]
20	96	1/8	6	124	60	25	128	69	25	23	44	100	155	56
25	96	1/8	6	144	60	25	130	71	25	23	44	100	155	56
32	120	1/8	6	154	60	25	166	93	26	36	64	100	155	68
40	150	1/4	8	174	60	45	201	106	36	36	64	100	160	85
50	180	1/4	8	194	60	45	233	119	37	36	64	100	170	101
63	180	1/4	8	224	60	45	247	133	37	36	64	100	170	101

d [mm]	H8 [mm]	H9 [mm]	H10 [mm]	Lift = Hx [mm]
20	86	14	12	8
25	88	18	12	10
32	100	21	12	12
40	117	26	15	14
50	133	33	15	18
63	133	39	15	22



PVC-C

Diaphragm valve type DIASTAR PVC-C Series 025 FC (Fail safe to close) With backing flanges PP-V metric



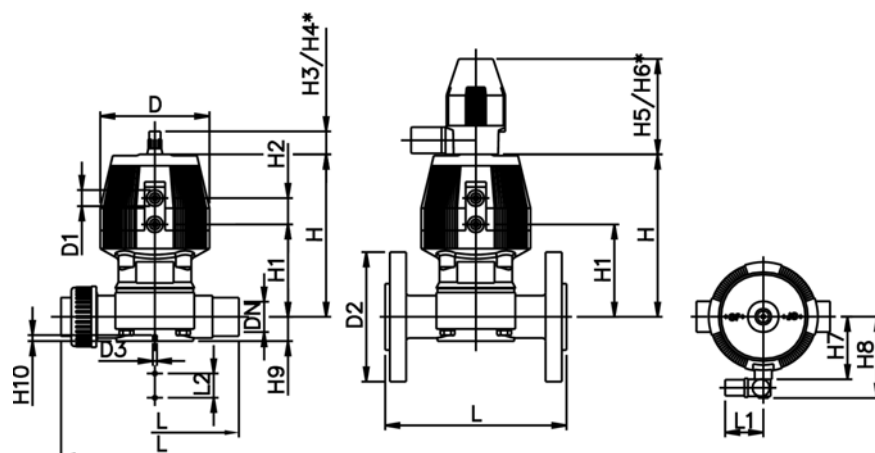
Model:

- Connecting dimensions: ISO 7005 / EN 1092 / DIN 2501 PN10 / BS4504
- With position indicator / Working pressure: **both sides**

d [mm]	DN [mm]	Inch	PN	kv-value ($\Delta p=1$ bar) [l/min]	EPDM Code	PTFE/EPDM Code	kg
20	15	1/2	10	72	199 025 691	199 025 721	0.810
25	20	3/4	10	120	199 025 692	199 025 722	0.891
32	25	1	10	238	199 025 693	199 025 723	1.632
40	32	1 1/4	10	341	199 025 694	199 025 724	2.766
50	40	1 1/2	10	460	199 025 695	199 025 725	4.456
63	50	2	10	685	199 025 696	199 025 726	5.031

d [mm]	D [mm]	D1_G [inch]	D2 [mm]	D3[M] [mm]	L [mm]	L1 [mm]	L2 [mm]	H [mm]	H1 [mm]	H2 [mm]	H3 [mm]	H4 [mm]	H5 [mm]	H6 [mm]
20	96	1/8	95	6	130	60	25	128	69	25	23	44	100	155
25	96	1/8	105	6	150	60	25	130	71	25	23	44	100	155
32	120	1/8	115	6	160	60	25	166	93	26	36	64	100	155
40	150	1/4	140	8	180	60	45	201	106	36	36	64	100	160
50	180	1/4	150	8	200	60	45	233	119	37	36	64	100	170
63	180	1/4	165	8	230	60	45	247	133	37	36	64	100	170

d [mm]	H7 [mm]	H8 [mm]	H9 [mm]	H10 [mm]	Lift = Hx [mm]
20	56	86	14	12	8
25	56	88	18	12	10
32	68	100	21	12	12
40	85	117	26	15	14
50	101	133	33	15	18
63	101	133	39	15	22



PVC-C

Diaphragm valve type DIASTAR PVC-C Series 025 FO (Fail safe to open) With solvent cement spigots metric

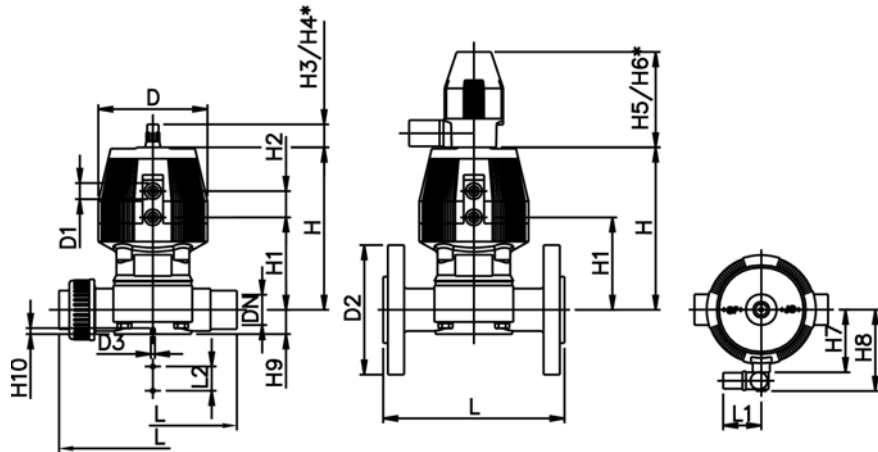


- With position indicator / Working pressure: **both sides**

d [mm]	DN [mm]	PN	kv-value (Δp=1 bar) [l/min]	EPDM Code	PTFE/EPDM Code	kg
20	15	10	72	199 025 641	199 025 671	0.404
25	20	10	120	199 025 642	199 025 672	0.690
32	25	10	238	199 025 643	199 025 673	0.980
40	32	10	341	199 025 644	199 025 674	1.230
50	40	10	460	199 025 645	199 025 675	2.210
63	50	10	685	199 025 646	199 025 676	3.800

d [mm]	D [mm]	D1_G [inch]	D3[M] [mm]	L [mm]	L1 [mm]	L2 [mm]	H [mm]	H1 [mm]	H2 [mm]	H3 [mm]	H4 [mm]	H5 [mm]	H6 [mm]	H7 [mm]
20	68	1/8	6	124	60	25	99	59	24	23	44	100	155	44
25	96	1/8	6	144	60	25	130	71	25	23	44	100	155	56
32	96	1/8	6	154	60	25	143	85	25	23	44	100	155	56
40	120	1/8	8	174	60	45	170	97	26	36	64	100	160	68
50	150	1/4	8	194	60	45	203	108	36	36	64	100	170	85
63	150	1/4	8	224	60	45	220	126	36	36	64	100	170	85

d [mm]	H8 [mm]	H9 [mm]	H10 [mm]	Lift = Hx [mm]
20	76	14	12	8
25	88	18	12	10
32	88	21	12	12
40	100	26	15	14
50	117	33	15	18
63	117	39	15	22



PVC-C

Diaphragm valve type DIASTAR PVC-C Series 025 FO (Fail safe to open) With backing flanges PP-V metric



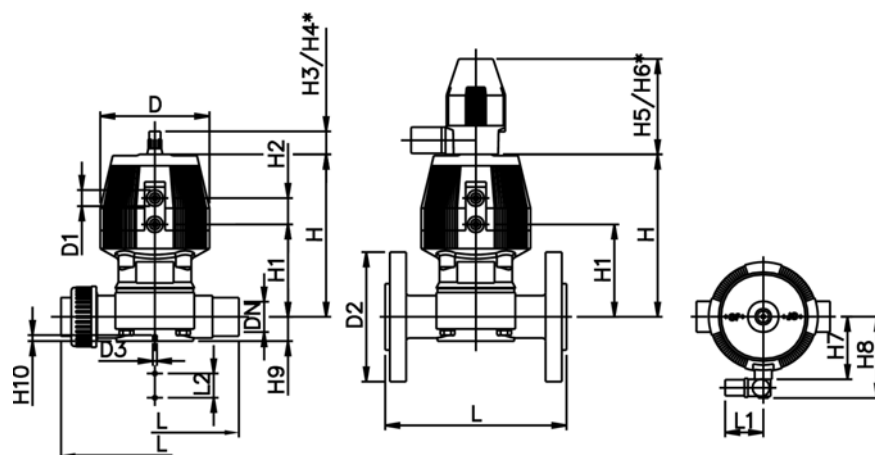
Model:

- Connecting dimensions: ISO 7005 / EN 1092 / DIN 2501 PN10 / BS4504
- With position indicator / Working pressure: **both sides**

d [mm]	DN [mm]	Inch	PN	kv-value ($\Delta p=1$ bar) [l/min]	EPDM Code	PTFE/EPDM Code	kg
20	15	1/2	10	72	199 025 701	199 025 731	0.624
25	20	3/4	10	120	199 025 702	199 025 732	0.890
32	25	1	10	238	199 025 703	199 025 733	1.260
40	32	1 1/4	10	341	199 025 704	199 025 734	1.750
50	40	1 1/2	10	460	199 025 705	199 025 735	2.210
63	50	2	10	685	199 025 706	199 025 736	3.800

d [mm]	D [mm]	D1_G [inch]	D2 [mm]	D3[M] [mm]	L [mm]	L1 [mm]	L2 [mm]	H [mm]	H1 [mm]	H2 [mm]	H3 [mm]	H4 [mm]	H5 [mm]	H6 [mm]
20	68	1/8	95	6	130	60	25	99	59	24	23	44	100	155
25	96	1/8	105	6	150	60	25	130	71	25	23	44	100	155
32	96	1/8	115	6	160	60	25	143	85	25	23	44	100	155
40	120	1/8	140	8	180	60	45	170	97	26	36	64	100	160
50	150	1/4	150	8	200	60	45	203	108	36	36	64	100	170
63	150	1/4	165	8	230	60	45	220	126	36	36	64	100	170

d [mm]	H7 [mm]	H8 [mm]	H9 [mm]	H10 [mm]	Lift = Hx [mm]
20	44	76	14	12	8
25	56	88	18	12	10
32	56	88	21	12	12
40	68	100	26	15	14
50	85	117	33	15	18
63	85	117	39	15	22



PVC-C



Diaphragm valve type DIASTAR PVC-C Series 025 FO (Fail safe to open) With fixed flanges PVC-C metric

Model:

- Connecting dimensions: ISO 7005 / EN 1092 / DIN 2501 PN10 / BS4504

- With position indicator / Working pressure: **one side**

** with fixed flanges PVC-C metric and Inch ANSI

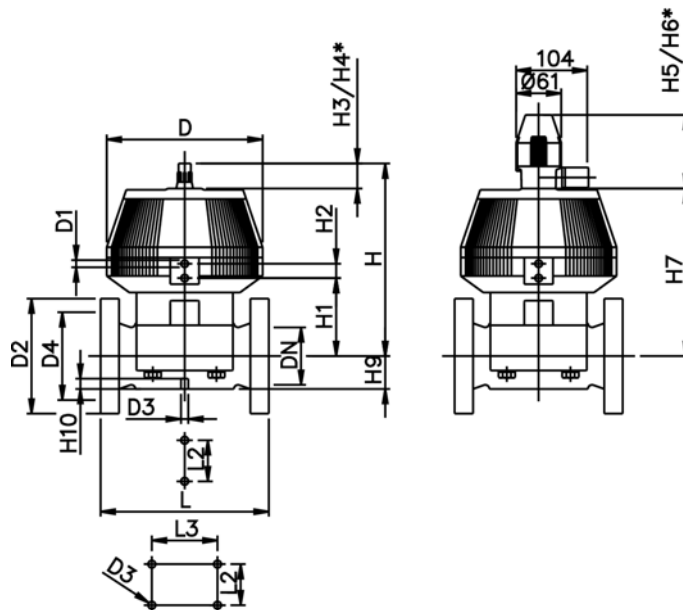
** Connecting dimensions DN80 and DN150 metric and Inch ANSI B16.5

* With backing flanges PP-V

d [mm]	DN [mm]	Inch	PN	kv-value ($\Delta p=1$ bar) [l/min]	EPDM Code	PTFE/EPDM Code	kg
* 75	65	2 1/2	10	992	199 025 707	199 025 737	13.600
** 90	80	3	10	1700	199 025 708	199 025 738	17.400
110	100	4	8	2700	199 025 709	199 025 739	24.700

d [mm]	D [mm]	D1_G [inch]	D3[M] [mm]	D2 [mm]	D4 [mm]	L [mm]	L2 [mm]	H [mm]	H1 [mm]	H2 [mm]	H3 [mm]	H4 [mm]	H5 [mm]	H6 [mm]
* 75	280	1/4	8	185	145	290	70	344	148	24	46	100	129	195
** 90	280	1/4	12	200	160	310	120	348	150	24	46	100	129	195
110	335	1/4	12	225	180	350	120	395	176	24	46	100	129	195

d [mm]	H7 [mm]	H9 [mm]	H10 [mm]
* 75	298	46	15
** 90	302	57	15
110	349	69	20



PVC-C

Diaphragm valve type DIASTAR PVC-C Series 025 DA (Double acting) With solvent cement spigots metric

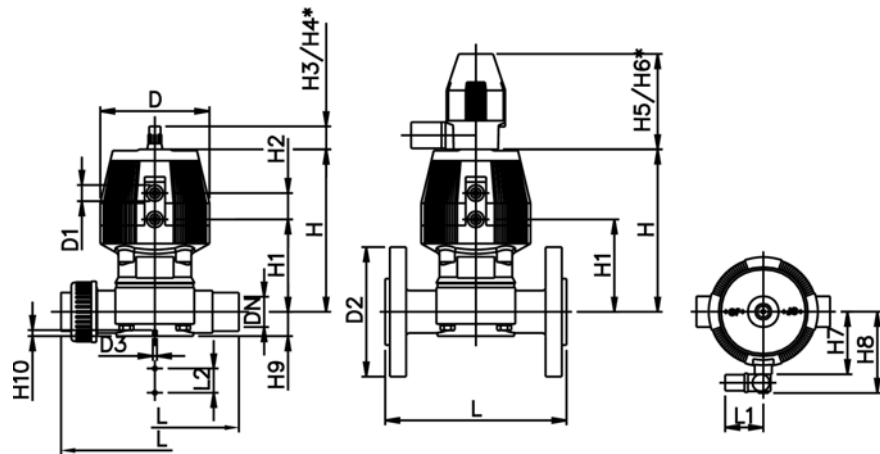


- With position indicator / Working pressure: **both sides**

d [mm]	DN [mm]	PN	kv-value (Δp=1 bar) [l/min]	EPDM Code	PTFE/EPDM Code	kg
20	15	10	72	199 025 651	199 025 681	0.404
25	20	10	120	199 025 652	199 025 682	0.690
32	25	10	238	199 025 653	199 025 683	0.980
40	32	10	341	199 025 654	199 025 684	1.230
50	40	10	460	199 025 655	199 025 685	2.935
63	50	10	685	199 025 656	199 025 686	4.360

d [mm]	D [mm]	D1_G [inch]	D3[M] [mm]	L [mm]	L1 [mm]	L2 [mm]	H [mm]	H1 [mm]	H2 [mm]	H3 [mm]	H4 [mm]	H5 [mm]	H6 [mm]	H7 [mm]
20	68	1/8	6	124	60	25	99	59	24	23	44	100	155	44
25	96	1/8	6	144	60	25	130	71	25	23	44	100	155	56
32	96	1/8	6	154	60	25	143	85	25	23	44	100	155	56
40	120	1/8	8	174	60	45	170	97	26	36	64	100	160	68
50	150	1/4	8	194	60	45	203	108	36	36	64	100	170	85
63	150	1/4	8	224	60	45	220	126	36	36	64	100	170	85

d [mm]	H8 [mm]	H9 [mm]	H10 [mm]	Lift = Hx [mm]
20	76	14	12	8
25	88	18	12	10
32	88	21	12	12
40	100	26	15	14
50	117	33	15	18
63	117	39	15	22



PVC-C

Diaphragm valve type DIASTAR PVC-C Series 025 DA (Double acting) With backing flanges PP-V metric

Model:

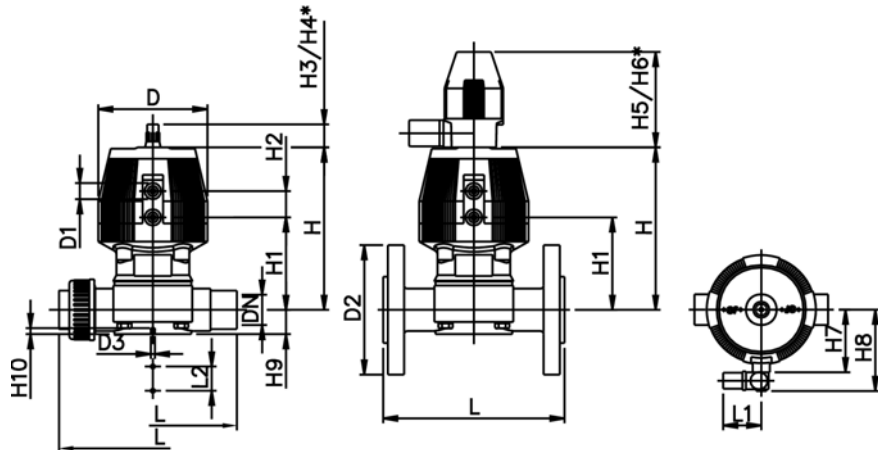
- Connecting dimensions: ISO 7005 / EN 1092 / DIN 2501 PN10 / BS4504
- With position indicator / Working pressure: **both sides**



d [mm]	DN [mm]	Inch	PN	kv-value ($\Delta p=1$ bar) [l/min]	EPDM Code	PTFE/EPDM Code	kg
20	15	1/2	10	72	199 025 711	199 025 741	0.624
25	20	3/4	10	120	199 025 712	199 025 742	0.890
32	25	1	10	238	199 025 713	199 025 743	1.260
40	32	1 1/4	10	341	199 025 714	199 025 744	1.750
50	40	1 1/2	10	460	199 025 715	199 025 745	2.210
63	50	2	10	685	199 025 716	199 025 746	3.760

d [mm]	D [mm]	D1 [inch]	D2 [mm]	D3[M] [mm]	L [mm]	L1 [mm]	L2 [mm]	H [mm]	H1 [mm]	H2 [mm]	H3 [mm]	H4 [mm]	H5 [mm]	H6 [mm]	H7 [mm]
20	68	1/8	95	M6	130	60	25	99	59	24	23	44	100	155	44
25	96	1/8	105	M6	150	60	25	127	71	25	23	44	100	155	56
32	96	1/8	115	M6	160	60	25	143	85	25	23	44	100	155	56
40	120	1/8	140	M8	180	60	45	167	97	26	36	64	100	160	68
50	150	1/4	150	M8	200	60	45	198	108	36	36	64	100	170	85
63	150	1/4	165	M8	230	60	45	216	126	36	36	64	100	170	85

d [mm]	H8 [mm]	H9 [mm]	H10 [mm]	Lift = Hx [mm]
20	76	14	12	8
25	88	18	12	10
32	88	21	12	12
40	100	26	15	14
50	117	33	15	18
63	117	39	15	22



PVC-C



Diaphragm valve type DIASTAR PVC-C Series 025 DA (Double acting) With fixed flanges PVC-C metric

Model:

- Connecting dimensions: ISO 7005 / EN 1092 / DIN 2501 PN10 / BS4504
- With position indicator / Working pressure: **one side**

* With backing flanges PP-V

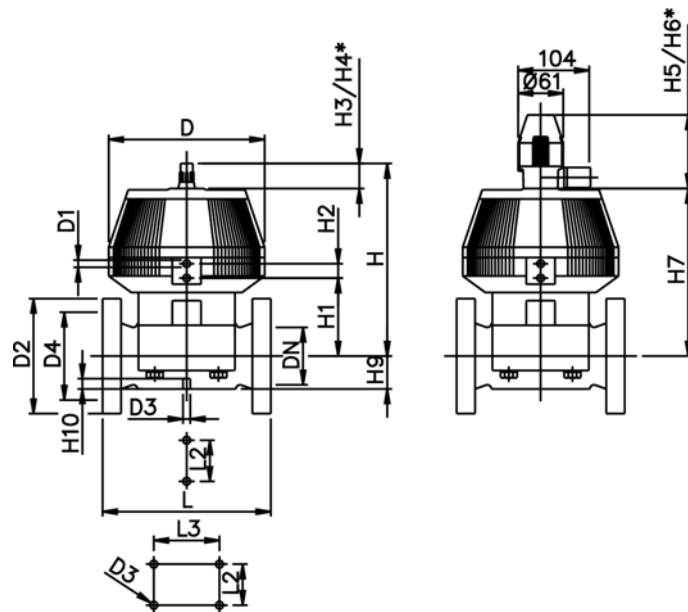
** Connecting dimensions DN80 and DN150 metric and Inch ANSI B16.5

** with fixed flanges PVC-C metric and Inch ANSI

d [mm]	DN [mm]	Inch	PN	kv-value ($\Delta p=1$ bar) [l/min]	EPDM Code	PTFE/EPDM Code	kg
* 75	65	2 ½	10	992	199 025 717	199 025 747	13.600
** 90	80	3	10	1700	199 025 718	199 025 748	17.400
110	100	4	8	2700	199 025 719	199 025 749	24.700

d [mm]	D [mm]	D1_G [inch]	D2 [mm]	D3[M] [mm]	D4 [mm]	L [mm]	L2 [mm]	H [mm]	H1 [mm]	H2 [mm]	H3 [mm]	H4 [mm]	H5 [mm]	H6 [mm]
* 75	280	¼	185	8	145	290	70	344	148	24	46	100	129	195
** 90	280	¼	200	12	160	310	120	348	150	24	46	100	129	195
110	335	¼	225	12	180	350	120	395	176	24	46	100	129	195

d [mm]	H7 [mm]	H9 [mm]	H10 [mm]
* 75	298	46	15
** 90	302	57	15
110	349	69	20



PVC-C

Butterfly valves electric

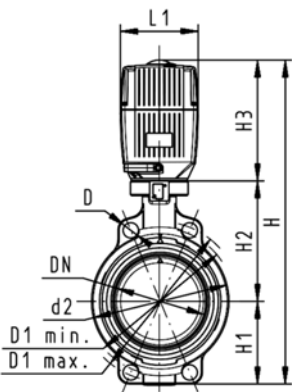
Butterfly valve type 140 PVC-C 100-230V Without manual override



Model:

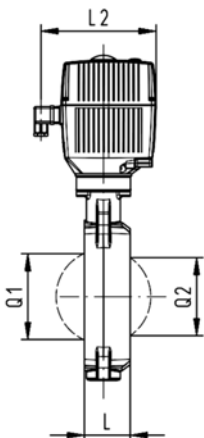
- Connecting dimension: ISO 7005 PN 10, EN 1092 PN 10, DIN 2501 PN 10, ANSI/ASME B 16.5 Class 150, BS 1560: 1989, BS 4504, JIS B 2220
- Overall length according to EN 558, ISO 5752
- Voltage 100-230 V, 50-60 Hz
- Control time 15 s/90°<) EA31
- Control time 25s/90°<) EA42
- Control range 90°<)
- Actuator with integrated emergency manual override standard

d [mm]	DN [mm]	Inch	PN	kv-value (Δp=1 bar) [l/min]	EPDM Code	FPM Code	kg
63	50	2	10	1470	199 140 202	199 140 222	
75	65	2 ½	10	2200	199 140 203	199 140 223	4.312
90	80	3	10	3000	199 140 204	199 140 224	4.491
110	100	4	10	6500	199 140 205	199 140 225	5.133
140	125	5	10	11500	199 140 206	199 140 226	
160	150	6	10	16600	199 140 207	199 140 227	6.724
225	200	8	10	39600	199 140 208	199 140 228	12.994



d [mm]	Actuator unit type	D [mm]	D1 min. [mm]	D1 max. [mm]	d2 [mm]	H [mm]	H1 [mm]	H2 [mm]	H3 [mm]	L [mm]	L1 [mm]	L2 [mm]	Q1 [mm]
63	EA-31	19	120.0	125.0	104	400	77	134	188	45	122	180	40
75	EA-31	19	139.7	145.0	115	413	83	140	188	46	122	180	54
90	EA-31	19	150.0	160.0	131	428	89	146	188	49	122	180	67
110	EA-31	19	175.0	190.5	161	460	104	167	188	56	122	180	88
140	EA-31	23	210.0	215.9	187	487	117	181	188	64	122	180	113
160	EA-31	24	241.3	241.3	215	508	130	189	188	72	122	180	139
225	EA-42	23	290.0	295.0	267	575	158	210	208	73	122	180	178

d [mm]	Q2 [mm]
63	
75	35
90	50
110	74
140	97
160	123
225	169



PVC-C

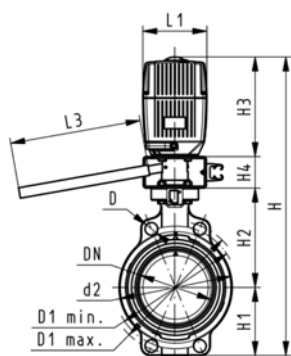
Butterfly valve type 140 PVC-C 100-230V With manual override

Model:

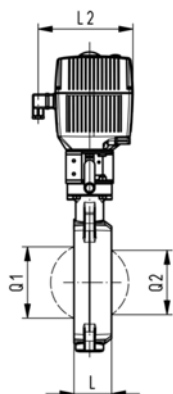
- Connecting dimension: ISO 7005 PN 10, EN 1092 PN 10, DIN 2501 PN 10, ANSI/ASME B 16.5 Class 150, BS 1560: 1989, BS 4504, JIS B 2220
- Overall length according to EN 558, ISO 5752
- Voltage 100-230 V, 50-60 Hz
- Control time 15 s/90°<) EA31
- Control time 25s/90°<) EA42
- Control range 90°<)
- Actuator with integrated emergency manual override standard



d [mm]	DN [mm]	Inch	PN	kv-value (Δp=1 bar) [l/min]	EPDM Code	FPM Code	kg
63	50	2	10	1470	199 140 162	199 140 182	
75	65	2 ½	10	2200	199 140 163	199 140 183	5.812
90	80	3	10	3000	199 140 164	199 140 184	5.991
110	100	4	10	6500	199 140 165	199 140 185	6.633
140	125	5	10	11500	199 140 166	199 140 186	
160	150	6	10	16600	199 140 167	199 140 187	8.224
225	200	8	10	39600	199 140 168	199 140 188	14.494



d [mm]	Actuator unit type	D [mm]	D1 min. [mm]	D1 max. [mm]	d2 [mm]	H [mm]	H1 [mm]	H2 [mm]	H3 [mm]	H4 [mm]	L [mm]	L1 [mm]	L2 [mm]
63	EA-31	19	120.0	125.0	104	460	77	134	188	60	45	122	180
75	EA-31	19	139.7	145.0	115	473	83	140	188	60	46	122	180
90	EA-31	19	150.0	160.0	131	488	89	146	188	60	49	122	180
110	EA-31	19	175.0	190.5	161	520	104	167	188	60	56	122	180
140	EA-31	23	210.0	215.9	187	547	117	181	188	60	64	122	180
160	EA-31	24	241.3	241.3	215	568	130	189	188	60	72	122	180
225	EA-42	23	290.0	295.0	267	635	158	210	208	60	73	122	180



d [mm]	L3 [mm]	Q1 [mm]	Q2 [mm]
63	250	40	
75	250	54	35
90	250	67	50
110	250	88	74
140	250	113	97
160	250	139	123
225	250	178	169

PVC-C

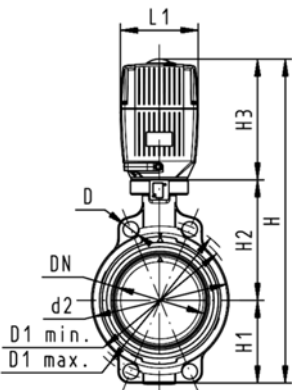
Butterfly valve type 140 PVC-C 24V Without manual override



Model:

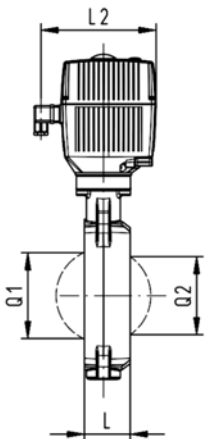
- Connecting dimension: ISO 7005 PN 10, EN 1092 PN 10, DIN 2501 PN 10, ANSI/ASME B 16.5 Class 150, BS 1560: 1989, BS 4504, JIS B 2220
- Overall length according to EN 558, ISO 5752
- Voltage 24 V AC/DC
- Control time 15 s/90°<) EA31
- Control time 25s/90°<) EA42
- Control range 90°<)
- Actuator with integrated emergency manual override standard

d [mm]	DN [mm]	Inch	PN	kv-value (Δp=1 bar) [l/min]	EPDM Code	FPM Code	kg
63	50	2	10	1470	199 140 282	199 140 302	
75	65	2 ½	10	2200	199 140 283	199 140 303	4.312
90	80	3	10	3000	199 140 284	199 140 304	4.491
110	100	4	10	6500	199 140 285	199 140 305	5.133
140	125	5	10	11500	199 140 286	199 140 306	
160	150	6	10	16600	199 140 287	199 140 307	6.724
225	200	8	10	39600	199 140 288	199 140 308	12.994



d [mm]	Actuator unit type	D [mm]	D1 min. [mm]	D1 max. [mm]	d2 [mm]	H [mm]	H1 [mm]	H2 [mm]	H3 [mm]	L [mm]	L1 [mm]	L2 [mm]	Q1 [mm]
63	EA-31	19	120.0	125.0	104	400	77	134	188	45	122	180	40
75	EA-31	19	139.7	145.0	115	413	83	140	188	46	122	180	54
90	EA-31	19	150.0	160.0	131	428	89	146	188	49	122	180	67
110	EA-31	19	175.0	190.5	161	460	104	167	188	56	122	180	88
140	EA-31	23	210.0	215.9	187	487	117	181	188	64	122	180	113
160	EA-31	24	241.3	241.3	215	508	130	189	188	72	122	180	139
225	EA-42	23	290.0	295.0	267	575	158	210	208	73	122	180	178

d [mm]	Q2 [mm]
63	
75	35
90	50
110	74
140	97
160	123
225	169



PVC-C

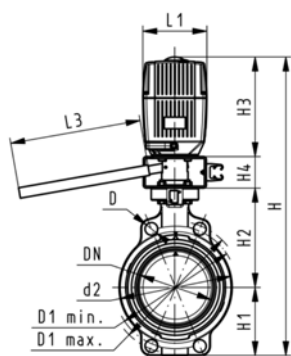
Butterfly valve type 140 PVC-C 24V With manual override

Model:

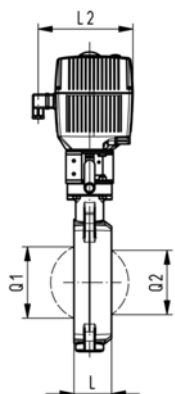
- Connecting dimension: ISO 7005 PN 10, EN 1092 PN 10, DIN 2501 PN 10, ANSI/ASME B 16.5 Class 150, BS 1560: 1989, BS 4504, JIS B 2220
- Overall length according to EN 558, ISO 5752
- Voltage 24 V AC/DC
- Control time 15 s/90°<) EA31
- Control time 25s/90°<) EA42
- Control range 90°<)
- Actuator with integrated emergency manual override standard



d [mm]	DN [mm]	Inch	PN	kv-value (Δp=1 bar) [l/min]	EPDM Code	FPM Code	kg
63	50	2	10	1470	199 140 242	199 140 262	5.678
75	65	2 ½	10	2200	199 140 243	199 140 263	5.812
90	80	3	10	3000	199 140 244	199 140 264	5.991
110	100	4	10	6500	199 140 245	199 140 265	6.633
140	125	5	10	11500	199 140 246	199 140 266	
160	150	6	10	16600	199 140 247	199 140 267	8.224
225	200	8	10	39600	199 140 248	199 140 268	14.494



d [mm]	Actuator unit type	D [mm]	D1 min. [mm]	D1 max. [mm]	d2 [mm]	H [mm]	H1 [mm]	H2 [mm]	H3 [mm]	H4 [mm]	L [mm]	L1 [mm]	L2 [mm]
63	EA-31	19	120.0	125.0	104	460	77	134	188	60	45	122	180
75	EA-31	19	139.7	145.0	115	473	83	140	188	60	46	122	180
90	EA-31	19	150.0	160.0	131	488	89	146	188	60	49	122	180
110	EA-31	19	175.0	190.5	161	520	104	167	188	60	56	122	180
140	EA-31	23	210.0	215.9	187	547	117	181	188	60	64	122	180
160	EA-31	24	241.3	241.3	215	568	130	189	188	60	72	122	180
225	EA-42	23	290.0	295.0	267	635	158	210	208	60	73	122	180



d [mm]	L3 [mm]	Q1 [mm]	Q2 [mm]
63	250	40	
75	250	54	35
90	250	67	50
110	250	88	74
140	250	113	97
160	250	139	123
225	250	178	169

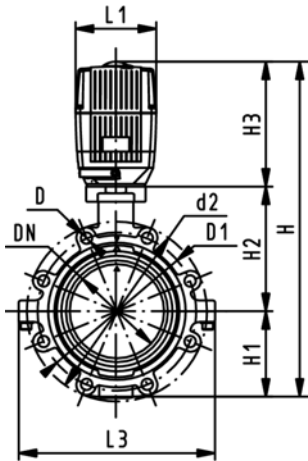
PVC-C

Lugstyle butterfly valve type 141 PVC-C 100-230V Without manual override



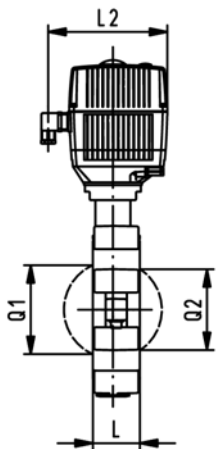
Model:

- Outer body in GGG-40.3 epoxy-coated
- Connecting dimension: ISO 7005 PN10, EN 1092 PN10, DIN 2501 PN10
- Overall length according to EN 558, ISO 5752
- Voltage 100-230 V, 50-60 Hz
- Control time 15 s/90°<) EA31
- Control time 25s/90°<) EA42
- Control range 90°<)
- Actuator with integrated emergency manual override standard



d [mm]	DN [mm]	Inch	PN	kv-value ($\Delta p=1$ bar) [l/min]	EPDM Code	FPM Code	kg
63	50	2	10	1470	199 141 202	199 141 222	6.281
75	65	2 1/2	10	2200	199 141 203	199 141 223	6.648
90	80	3	10	3000	199 141 204	199 141 224	7.702
110	100	4	10	6500	199 141 205	199 141 225	9.217
140	125	5	10	11500	199 141 206	199 141 226	11.205
160	150	6	10	16600	199 141 207	199 141 227	13.184
225	200	8	10	39600	199 141 208	199 141 228	22.942

d [mm]	Actuator unit type	D	D1 [mm]	d2 [mm]	H [mm]	H1 [mm]	H2 [mm]	H3 [mm]	L [mm]	L1 [mm]	L2 [mm]	L3 [mm]	Q1 [mm]
63	EA-31	M16	125	150	399	77	134	188	45	122	180	150	40
75	EA-31	M16	145	170	411	83	140	188	46	122	180	160	54
90	EA-31	M16	160	184	423	89	146	188	49	122	180	205	67
110	EA-31	M16	180	216	459	104	167	188	56	122	180	244	88
140	EA-31	M16	210	246	486	117	181	188	64	122	180	272	113
160	EA-31	M20	240	273	507	130	189	188	72	122	180	297	139
225	EA-42	M20	295	334	576	158	210	208	73	122	180	360	178



d [mm]	Q2 [mm]
63	
75	35
90	50
110	74
140	97
160	123
225	169

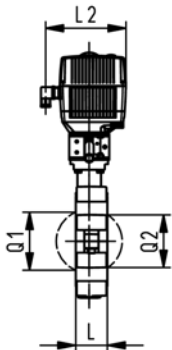
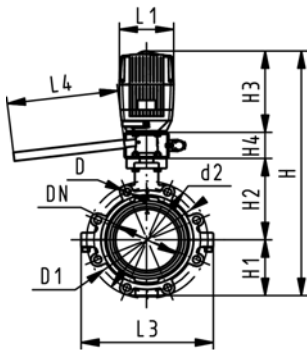
PVC-C

Lugstyle butterfly valve type 141 PVC-C 100-230V With manual override



Model:

- Outer body in GGG-40.3 epoxy-coated
- Connecting dimension: ISO 7005 PN10, EN 1092 PN10, DIN 2501 PN10
- Overall length according to EN 558, ISO 5752
- Voltage 100-230 V, 50-60 Hz
- Control time 15 s/90°<) EA31
- Control time 25s/90°<) EA42
- Control range 90°<)
- Actuator with integrated emergency manual override standard



d [mm]	DN [mm]	Inch	PN	kv-value ($\Delta p=1$ bar) [l/min]	EPDM Code	FPM Code	kg
63	50	2	10	1470	199 141 162	199 141 182	7.781
75	65	2 ½	10	2200	199 141 163	199 141 183	8.148
90	80	3	10	3000	199 141 164	199 141 184	9.202
110	100	4	10	6500	199 141 165	199 141 185	10.717
140	125	5	10	11500	199 141 166	199 141 186	12.705
160	150	6	10	16600	199 141 167	199 141 187	14.684
225	200	8	10	39600	199 141 168	199 141 188	24.442

d [mm]	Actuator unit type	D	D1 [mm]	d2 [mm]	H [mm]	H1 [mm]	H2 [mm]	H3 [mm]	H4 [mm]	L [mm]	L1 [mm]	L2 [mm]	L3 [mm]
63	EA-31	M16	125	150	459	77	134	188	60	45	122	180	150
75	EA-31	M16	145	170	471	83	140	188	60	46	122	180	160
90	EA-31	M16	160	184	483	89	146	188	60	49	122	180	205
110	EA-31	M16	180	216	519	104	167	188	60	56	122	180	244
140	EA-31	M16	210	246	546	117	181	188	60	64	122	180	272
160	EA-31	M20	240	273	567	130	189	188	60	72	122	180	297
225	EA-42	M20	295	334	636	158	210	208	60	73	122	180	360

d [mm]	L4 [mm]	Q1 [mm]	Q2 [mm]
63	200	40	
75	200	54	35
90	200	67	50
110	250	88	74
140	250	113	97
160	250	139	123
225	250	178	169

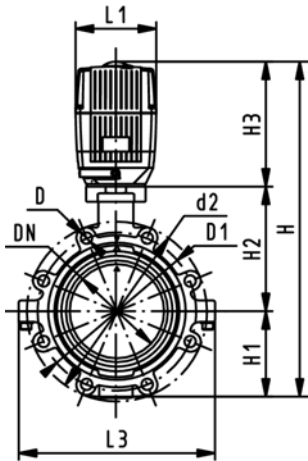
PVC-C

Lugstyle butterfly valve type 141 PVC-C 24V Without manual override



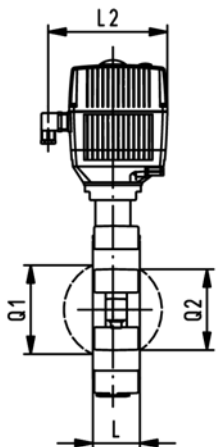
Model:

- Outer body in GGG-40.3 epoxy-coated
- Connecting dimension: ISO 7005 PN10, EN 1092 PN10, DIN 2501 PN10
- Overall length according to EN 558, ISO 5752
- Voltage 24 V AC/DC
- Control time 15 s/90°<) EA31
- Control time 25s/90°<) EA42
- Control range 90°<)
- Actuator with integrated emergency manual override standard



d [mm]	DN [mm]	Inch	PN	kv-value ($\Delta p=1$ bar) [l/min]	EPDM Code	FPM Code	kg
63	50	2	10	1470	199 141 282	199 141 302	6.281
75	65	2 1/2	10	2200	199 141 283	199 141 303	6.648
90	80	3	10	3000	199 141 284	199 141 304	7.702
110	100	4	10	6500	199 141 285	199 141 305	9.217
140	125	5	10	11500	199 141 286	199 141 306	11.205
160	150	6	10	16600	199 141 287	199 141 307	13.184
225	200	8	10	39600	199 141 288	199 141 308	22.942

d [mm]	Actuator unit type	D	D1 [mm]	d2 [mm]	H [mm]	H1 [mm]	H2 [mm]	H3 [mm]	L [mm]	L1 [mm]	L2 [mm]	L3 [mm]	Q1 [mm]
63	EA-31	M16	125	150	399	77	134	188	45	122	180	150	40
75	EA-31	M16	145	170	411	83	140	188	46	122	180	160	54
90	EA-31	M16	160	184	423	89	146	188	49	122	180	205	67
110	EA-31	M16	180	216	459	104	167	188	56	122	180	244	88
140	EA-31	M16	210	246	486	117	181	188	64	122	180	272	113
160	EA-31	M20	240	273	507	130	189	188	72	122	180	297	139
225	EA-42	M20	295	334	576	158	210	208	73	122	180	360	178



d [mm]	Q2 [mm]
63	
75	35
90	50
110	74
140	97
160	123
225	169

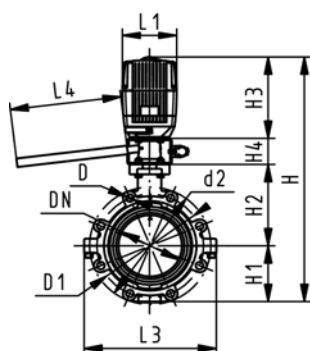
PVC-C

Lugstyle butterfly valve type 141 PVC-C 24V With manual override

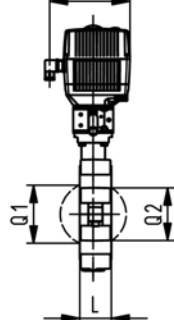


Model:

- Outer body in GGG-40.3 epoxy-coated
- Connecting dimension: ISO 7005 PN10, EN 1092 PN10, DIN 2501 PN10
- Overall length according to EN 558, ISO 5752
- Voltage 24 V AC/DC
- Control time 15 s/90°<) EA31
- Control time 25s/90°<) EA42
- Control range 90°<)
- Actuator with integrated emergency manual override standard



L2



d [mm]	DN [mm]	Inch	PN	kv-value ($\Delta p=1$ bar) [l/min]	EPDM Code	FPM Code	kg
63	50	2	10	1470	199 141 242	199 141 262	7.781
75	65	2 ½	10	2200	199 141 243	199 141 263	8.148
90	80	3	10	3000	199 141 244	199 141 264	9.202
110	100	4	10	6500	199 141 245	199 141 265	10.717
140	125	5	10	11500	199 141 246	199 141 266	12.705
160	150	6	10	16600	199 141 247	199 141 267	14.684
225	200	8	10	39600	199 141 248	199 141 268	24.442

d [mm]	Actuator unit type	D	D1 [mm]	d2 [mm]	H [mm]	H1 [mm]	H2 [mm]	H3 [mm]	H4 [mm]	L [mm]	L1 [mm]	L2 [mm]	L3 [mm]
63	EA-31	M16	125	150	459	77	134	188	60	45	122	180	150
75	EA-31	M16	145	170	471	83	140	188	60	46	122	180	160
90	EA-31	M16	160	184	483	89	146	188	60	49	122	180	205
110	EA-31	M16	180	216	519	104	167	188	60	56	122	180	244
140	EA-31	M16	210	246	546	117	181	188	60	64	122	180	272
160	EA-31	M20	240	273	567	130	189	188	60	72	122	180	297
225	EA-42	M20	295	334	636	158	210	208	60	73	122	180	360

d [mm]	L4 [mm]	Q1 [mm]	Q2 [mm]
63	200	40	
75	200	54	35
90	200	67	50
110	250	88	74
140	250	113	97
160	250	139	123
225	250	178	169

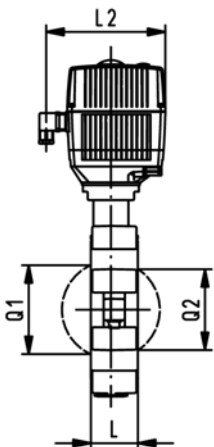
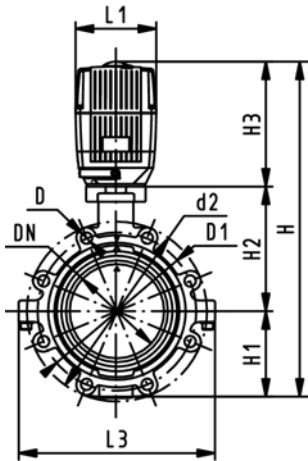
PVC-C

Lugstyle butterfly valve type 142 PVC-C 100-230V Without manual override



Model:

- Outer body in GGG-40.3 epoxy-coated
- Connecting dimension ANSI/ASME B 16.5 Class 150
- Overall length according to EN 558, ISO 5752
- Voltage 100-230 V, 50-60 Hz
- Control time 15 s/90°<) EA31
- Control time 25s/90°<) EA42
- Control range 90°<)
- Actuator with integrated emergency manual override standard



Inch	DN [mm]	d [mm]	PN	kv-value ($\Delta p=1$ bar) [l/min]	EPDM Code	FPM Code	kg
2	50	63	10	1470	199 142 202	199 142 222	6.281
2 ½	65	75	10	2200	199 142 203	199 142 223	6.648
3	80	90	10	3000	199 142 204	199 142 224	7.073
4	100	110	10	6500	199 142 205	199 142 225	9.217
5	125	140	10	11500	199 142 206	199 142 226	11.205
6	150	160	10	16600	199 142 207	199 142 227	13.184
8	200	225	10	39600	199 142 208	199 142 228	22.942

Inch	Actuator unit type	D	D1 [mm]	d2 [mm]	H [mm]	H1 [mm]	H2 [mm]	H3 [mm]	L [mm]	L1 [mm]	L2 [mm]	L3 [mm]	Q1 [mm]
2	EA-31	UNC 5/8	121	150	399	77	134	188	45	122	180	150	40
2 ½	EA-31	UNC 5/8	140	170	411	83	140	188	46	122	180	160	54
3	EA-31	UNC 5/8	153	177	423	89	146	188	49	122	180	175	67
4	EA-31	UNC 5/8	191	216	459	104	167	188	56	122	180	244	88
5	EA-31	UNC 3/4	216	246	486	117	181	188	64	122	180	272	113
6	EA-31	UNC 3/4	242	273	507	130	189	188	72	122	180	297	139
8	EA-42	UNC 3/4	299	334	576	158	210	208	73	122	180	360	178

Inch	Q2 [mm]
2	
2 ½	35
3	50
4	74
5	97
6	123
8	169

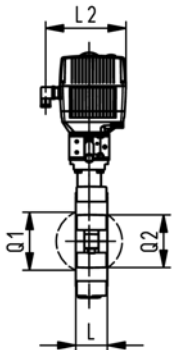
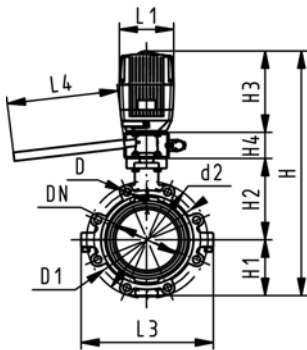
PVC-C

Lugstyle butterfly valve type 142 PVC-C 100-230V With manual override



Model:

- Outer body in GGG-40.3 epoxy-coated
- Connecting dimension ANSI/ASME B 16.5 Class 150
- Overall length according to EN 558, ISO 5752
- Voltage 100-230 V, 50-60 Hz
- Control time 15 s/90°<) EA31
- Control time 25s/90°<) EA42
- Control range 90°<)
- Actuator with integrated emergency manual override standard



Inch	DN [mm]	d [mm]	PN	kv-value ($\Delta p=1$ bar) [l/min]	EPDM Code	FPM Code	kg
2	50	63	10	1470	199 142 162	199 142 182	7.781
2 1/2	65	75	10	2200	199 142 163	199 142 183	8.148
3	80	90	10	3000	199 142 164	199 142 184	8.573
4	100	110	10	6500	199 142 165	199 142 185	10.717
5	125	140	10	11500	199 142 166	199 142 186	12.705
6	150	160	10	16600	199 142 167	199 142 187	14.684
8	200	225	10	39600	199 142 168	199 142 188	24.442

Inch	Actuator unit type	D	D1 [mm]	d2 [mm]	H [mm]	H1 [mm]	H2 [mm]	H3 [mm]	H4 [mm]	L [mm]	L1 [mm]	L2 [mm]	L3 [mm]
2	EA-31	UNC 5/8	121	150	459	77	134	188	60	45	122	180	150
2 1/2	EA-31	UNC 5/8	140	170	471	83	140	188	60	46	122	180	160
3	EA-31	UNC 5/8	153	177	483	89	146	188	60	49	122	180	175
4	EA-31	UNC 5/8	191	216	519	104	167	188	60	56	122	180	244
5	EA-31	UNC 3/4	216	246	546	117	181	188	60	64	122	180	272
6	EA-31	UNC 3/4	242	273	567	130	189	188	60	72	122	180	297
8	EA-42	UNC 3/4	299	334	636	158	210	208	60	73	122	180	360

Inch	L4 [mm]	Q1 [mm]	Q2 [mm]
2	200	40	
2 1/2	200	54	35
3	200	67	50
4	250	88	74
5	250	113	97
6	250	139	123
8	250	178	169

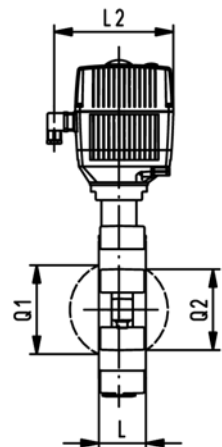
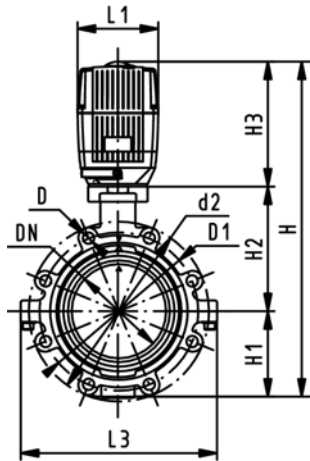
PVC-C

Lugstyle butterfly valve type 142 PVC-C 24V Without manual override



Model:

- Outer body in GGG-40.3 epoxy-coated
- Connecting dimension ANSI/ASME B 16.5 Class 150
- Overall length according to EN 558, ISO 5752
- Voltage 24 V AC/DC
- Control time 15 s/90°<) EA31
- Control time 25s/90°<) EA42
- Control range 90°<)
- Actuator with integrated emergency manual override standard



Inch	DN [mm]	d [mm]	PN	kv-value ($\Delta p=1$ bar) [l/min]	EPDM Code	FPM Code	kg
2	50	63	10	1470	199 142 282	199 142 302	6.281
2 ½	65	75	10	2200	199 142 283	199 142 303	6.648
3	80	90	10	3000	199 142 284	199 142 304	7.073
4	100	110	10	6500	199 142 285	199 142 305	9.217
5	125	140	10	11500	199 142 286	199 142 306	11.205
6	150	160	10	16600	199 142 287	199 142 307	13.184
8	200	225	10	39600	199 142 288	199 142 308	22.942

Inch	Actuator unit type	D	D1 [mm]	d2 [mm]	H [mm]	H1 [mm]	H2 [mm]	H3 [mm]	L [mm]	L1 [mm]	L2 [mm]	L3 [mm]	Q1 [mm]
2	EA-31	UNC 5/8	121	150	399	77	134	188	45	122	180	150	40
2 ½	EA-31	UNC 5/8	140	170	411	83	140	188	46	122	180	160	54
3	EA-31	UNC 5/8	153	177	423	89	146	188	49	122	180	175	67
4	EA-31	UNC 5/8	191	216	459	104	167	188	56	122	180	244	88
5	EA-31	UNC 3/4	216	246	486	117	181	188	64	122	180	272	113
6	EA-31	UNC 3/4	242	273	507	130	189	188	72	122	180	297	139
8	EA-42	UNC 3/4	299	334	576	158	210	208	73	122	180	360	178

Inch	Q2 [mm]
2	
2 ½	35
3	50
4	74
5	97
6	123
8	169

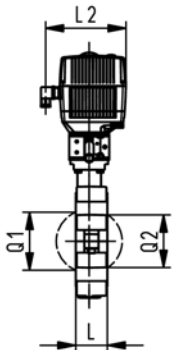
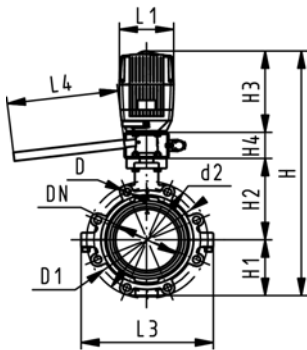
PVC-C

Lugstyle butterfly valve type 142 PVC-C 24V With manual override



Model:

- Outer body in GGG-40.3 epoxy-coated
- Connecting dimension ANSI/ASME B 16.5 Class 150
- Overall length according to EN 558, ISO 5752
- Voltage 24 V AC/DC
- Control time 15 s/90°<) EA31
- Control time 25s/90°<) EA42
- Control range 90°<)
- Actuator with integrated emergency manual override standard



Inch	DN [mm]	d [mm]	PN	kv-value ($\Delta p=1$ bar) [l/min]	EPDM Code	FPM Code	kg
2	50	63	10	1470	199 142 242	199 142 262	7.781
2 1/2	65	75	10	2200	199 142 243	199 142 263	8.148
3	80	90	10	3000	199 142 244	199 142 264	8.573
4	100	110	10	6500	199 142 245	199 142 265	10.717
5	125	140	10	11500	199 142 246	199 142 266	12.705
6	150	160	10	16600	199 142 247	199 142 267	14.684
8	200	225	10	39600	199 142 248	199 142 268	24.442

Inch	Actuator unit type	D	D1 [mm]	d2 [mm]	H [mm]	H1 [mm]	H2 [mm]	H3 [mm]	H4 [mm]	L [mm]	L1 [mm]	L2 [mm]	L3 [mm]
2	EA-31	UNC 5/8	121	150	459	77	134	188	60	45	122	180	150
2 1/2	EA-31	UNC 5/8	140	170	471	83	140	188	60	46	122	180	160
3	EA-31	UNC 5/8	153	177	483	89	146	188	60	49	122	180	175
4	EA-31	UNC 5/8	191	216	519	104	167	188	60	56	122	180	244
5	EA-31	UNC 3/4	216	246	546	117	181	188	60	64	122	180	272
6	EA-31	UNC 3/4	242	273	567	130	189	188	60	72	122	180	297
8	EA-42	UNC 3/4	299	334	636	158	210	208	60	73	122	180	360

Inch	L4 [mm]	Q1 [mm]	Q2 [mm]
2	200	40	
2 1/2	200	54	35
3	200	67	50
4	250	88	74
5	250	113	97
6	250	139	123
8	250	178	169

PVC-C

Butterfly valves pneumatic

Butterfly valve type 240 PVC-C

FC (Fail safe to close)

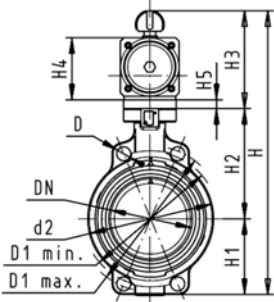
Without manual override



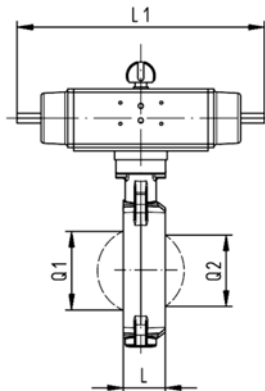
Model:

- Connecting dimension: ISO 7005 PN 10, EN 1092 PN 10, DIN 2501 PN 10, ANSI/ASME B 16.5 Class 150, BS 1560: 1989, BS 4504, JIS B 2220
- Overall length according to EN 558, ISO 5752
- Control range 90°<

d [mm]	DN [mm]	Inch	PN	kv-value ($\Delta p=1$ bar) [l/min]	EPDM Code	FPM Code	kg
63	50	2	10	1470	199 240 162	199 240 182	3.218
75	65	2 ½	10	2200	199 240 163	199 240 183	3.352
90	80	3	10	3000	199 240 164	199 240 184	3.531
110	100	4	10	6500	199 240 165	199 240 185	5.371
140	125	5	10	11500	199 240 166	199 240 186	
160	150	6	10	16600	199 240 167	199 240 187	10.285
225	200	8	10	39600	199 240 168	199 240 188	14.494



d [mm]	Actuator unit type	D [mm]	D1 min. [mm]	D1 max. [mm]	d2 [mm]	H [mm]	H1 [mm]	H2 [mm]	H3 [mm]	H4 [mm]	H5 [mm]	L [mm]	L1 [mm]
63	PA-30 FC	19	120.0	125.0	104	327	77	134	117	70	15	45	276
75	PA-30 FC	19	139.7	145.0	115	340	83	140	117	70	15	46	276
90	PA-35 FC	19	150.0	160.0	131	361	89	146	126	78	15	49	326
110	PA-40 FC	19	175.0	190.5	161	400	104	167	129	86		56	370
140	PA-45 FC	23	210.0	215.9	187	436	117	181	139	96		64	411
160	PA-50 FC	24	241.3	241.3	215	468	130	189	149	106		72	423
225	PA-55 FC	23	290.0	295.0	267	529	158	210	161	118		73	452



d [mm]	L2 [mm]	Q1 [mm]	Q2 [mm]
63	65	40	
75	65	54	35
90	72	67	50
110	80	88	74
140	90	113	97
160	100	139	123
225	112	178	169

PVC-C

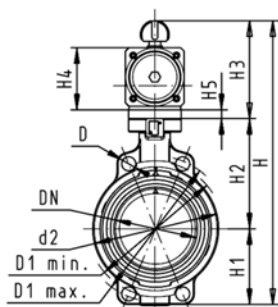
Butterfly valve type 240 PVC-C FO (Fail safe to open) Without manual override



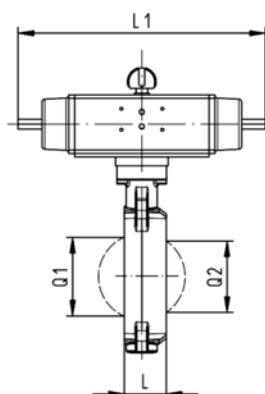
Model:

- Connecting dimension: ISO 7005 PN 10, EN 1092 PN 10, DIN 2501 PN 10, ANSI/ASME B 16.5 Class 150, BS 1560: 1989, BS 4504, JIS B 2220
- Overall length according to EN 558, ISO 5752
- Control range 90°<

d [mm]	DN [mm]	Inch	PN	kv-value ($\Delta p=1$ bar) [l/min]	EPDM Code	FPM Code	kg
63	50	2	10	1470	199 240 202	199 240 222	
75	65	2 ½	10	2200	199 240 203	199 240 223	3.352
90	80	3	10	3000	199 240 204	199 240 224	3.531
110	100	4	10	6500	199 240 205	199 240 225	5.371
140	125	5	10	11500	199 240 206	199 240 226	
160	150	6	10	16600	199 240 207	199 240 227	10.285
225	200	8	10	39600	199 240 208	199 240 228	14.494



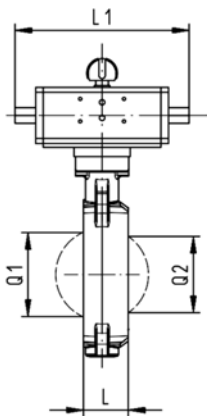
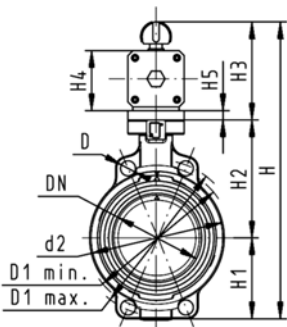
d [mm]	Actuator unit type	D [mm]	D1 min. [mm]	D1 max. [mm]	d2 [mm]	H [mm]	H1 [mm]	H2 [mm]	H3 [mm]	H4 [mm]	H5 [mm]	L [mm]	L1 [mm]
63	PA-30 FO	19	120.0	125.0	104	327	77	134	117	70	15	45	276
75	PA-30 FO	19	139.7	145.0	115	340	83	140	117	70	15	46	276
90	PA-35 FO	19	150.0	160.0	131	361	89	146	126	78	15	49	326
110	PA-40 FO	19	175.0	190.5	161	400	104	167	129	86		56	370
140	PA-45 FO	23	210.0	215.9	187	436	117	181	139	96		64	411
160	PA-50 FO	24	241.3	241.3	215	468	130	189	149	106		72	423
225	PA-55 FO	23	290.0	295.0	267	529	158	210	161	118		73	452



d [mm]	L2 [mm]	Q1 [mm]	Q2 [mm]
63	65	40	
75	65	54	35
90	72	67	50
110	80	88	74
140	90	113	97
160	100	139	123
225	112	178	169

PVC-C

Butterfly valve type 240 PVC-C DA (Double acting) Without manual override



Model:

- Connecting dimension: ISO 7005 PN 10, EN 1092 PN 10, DIN 2501 PN 10, ANSI/ASME B 16.5 Class 150, BS 1560: 1989, BS 4504, JIS B 2220
- Overall length according to EN 558, ISO 5752
- Control range 90°<

d [mm]	DN [mm]	Inch	PN	kv-value (Δp=1 bar) [l/min]	EPDM Code	FPM Code	kg
63	50	2	10	1470	199 240 242	199 240 262	5.184
75	65	2 ½	10	2200	199 240 243	199 240 263	2.202
90	80	3	10	3000	199 240 244	199 240 264	2.862
110	100	4	10	6500	199 240 245	199 240 265	3.623
140	125	5	10	11500	199 240 246	199 240 266	4.500
160	150	6	10	16600	199 240 247	199 240 267	6.764
225	200	8	10	39600	199 240 248	199 240 268	8.494

d [mm]	Actuator unit type	D [mm]	D1 min. [mm]	D1 max. [mm]	d2 [mm]	H [mm]	H1 [mm]	H2 [mm]	H3 [mm]	H4 [mm]	H5 [mm]	L [mm]	L1 [mm]
63	PA-35 DA	19	120.0	125.0	104	317	77	134	107	60	15	45	177
75	PA-35 DA	19	139.7	145.0	115	330	83	140	107	60	15	46	177
90	PA-40 DA	19	150.0	160.0	131	348	89	146	113	66	15	49	190
110	PA-45 DA	19	175.0	190.5	161	372	104	167	102	71		56	235
140	PA-45 DA	23	210.0	215.9	187	408	117	181	111	78		64	235
160	PA-55 DA	24	241.3	241.3	215	448	130	189	129	86		72	279
225	PA-55 DA	23	290.0	295.0	267	507	158	210	139	96		73	279

d [mm]	L2 [mm]	Q1 [mm]	Q2 [mm]
63	55	40	
75	55	54	35
90	60	67	50
110	65	88	74
140	72	113	97
160	80	139	123
225	90	178	169

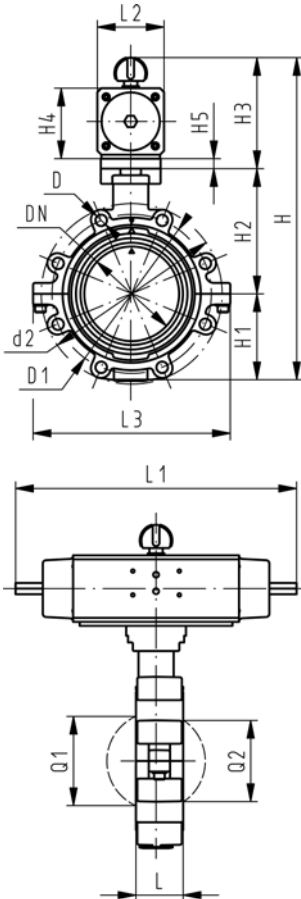
PVC-C

Lugstyle butterfly valve type 241 PVC-C FC (Fail safe to close) Without manual override



Model:

- Outer body in GGG-40.3 epoxy-coated
- Connecting dimension: ISO 7005 PN10, EN 1092 PN10, DIN 2501 PN10
- Overall length according to EN 558, ISO 5752
- Control range 90°<



d [mm]	DN [mm]	Inch	PN	kv-value ($\Delta p=1$ bar) [l/min]	EPDM Code	FPM Code	kg
63	50	2	10	1470	199 241 162	199 241 182	5.321
75	65	2 ½	10	2200	199 241 163	199 241 183	5.688
90	80	3	10	3000	199 241 164	199 241 184	6.742
110	100	4	10	6500	199 241 165	199 241 185	9.455
140	125	5	10	11500	199 241 166	199 241 186	12.445
160	150	6	10	16600	199 241 167	199 241 187	16.745
225	200	8	10	39600	199 241 168	199 241 188	24.442

d [mm]	Actuator unit type	D	D1 [mm]	d2 [mm]	H [mm]	H1 [mm]	H2 [mm]	H3 [mm]	H4 [mm]	H5 [mm]	L [mm]	L1 [mm]	L2 [mm]
63	PA-30 FC	M16	125	150	328	77	134	117	70	15	45	276	65
75	PA-30 FC	M16	145	170	340	83	140	117	70	15	46	276	65
90	PA-35 FC	M16	160	184	361	89	146	126	78	15	49	326	72
110	PA-40 FC	M16	180	216	400	104	167	129	86		56	370	80
140	PA-45 FC	M16	210	246	437	117	181	139	96		64	411	90
160	PA-50 FC	M20	240	273	468	130	189	149	106		72	423	100
225	PA-55 FC	M20	295	334	529	158	210	161	118		73	452	112

d [mm]	L3 [mm]	Q1 [mm]	Q2 [mm]
63	150	40	
75	160	54	35
90	205	67	50
110	244	88	74
140	272	113	97
160	297	139	123
225	360	178	169

PVC-C

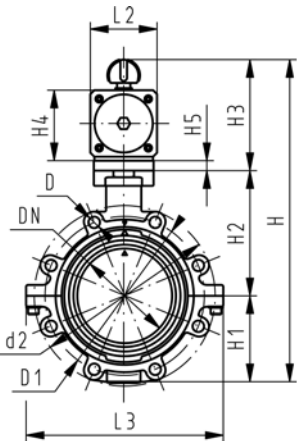
Lugstyle butterfly valve type 241 PVC-C FO (Fail safe to open) Without manual override



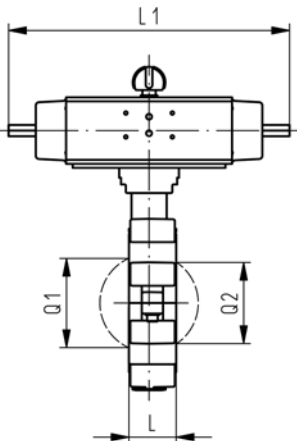
Model:

- Outer body in GGG-40.3 epoxy-coated
- Connecting dimension: ISO 7005 PN10, EN 1092 PN10, DIN 2501 PN10
- Overall length according to EN 558, ISO 5752
- Control range 90°<

d [mm]	DN [mm]	Inch	PN	kv-value ($\Delta p=1$ bar) [l/min]	EPDM Code	FPM Code	kg
63	50	2	10	1470	199 241 202	199 241 222	5.321
75	65	2 ½	10	2200	199 241 203	199 241 223	5.688
90	80	3	10	3000	199 241 204	199 241 224	6.742
110	100	4	10	6500	199 241 205	199 241 225	9.455
140	125	5	10	11500	199 241 206	199 241 226	12.445
160	150	6	10	16600	199 241 207	199 241 227	16.745
225	200	8	10	39600	199 241 208	199 241 228	24.442



d [mm]	Actuator unit type	D	D1 [mm]	d2 [mm]	H [mm]	H1 [mm]	H2 [mm]	H3 [mm]	H4 [mm]	H5 [mm]	L [mm]	L1 [mm]	L2 [mm]
63	PA-30 FO	M16	125	150	328	77	134	117	70	15	45	276	65
75	PA-30 FO	M16	145	170	340	83	140	117	70	15	46	276	65
90	PA-35 FO	M16	160	184	361	89	146	126	78	15	49	326	72
110	PA-40 FO	M16	180	216	400	104	167	129	86		56	370	80
140	PA-45 FO	M16	210	246	437	117	181	139	96		64	411	90
160	PA-50 FO	M20	240	273	468	130	189	149	106		72	423	100
225	PA-55 FO	M20	295	334	529	158	210	161	118		73	452	112



d [mm]	L3 [mm]	Q1 [mm]	Q2 [mm]
63	150	40	
75	160	54	35
90	205	67	50
110	244	88	74
140	272	113	97
160	297	139	123
225	360	178	169

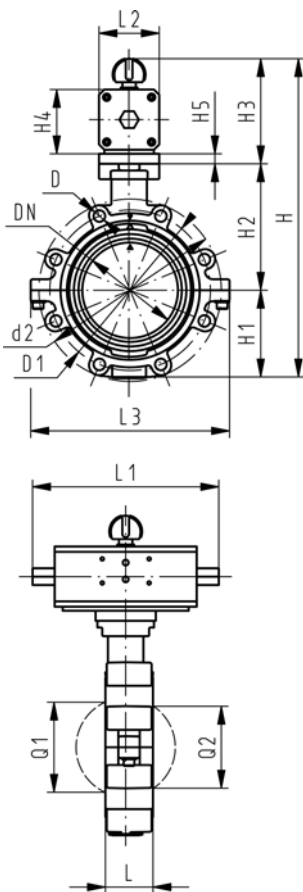
PVC-C

Lugstyle butterfly valve type 241 PVC-C DA (Double acting) Without manual override



Model:

- Outer body in GGG-40.3 epoxy-coated
- Connecting dimension: ISO 7005 PN10, EN 1092 PN10, DIN 2501 PN10
- Overall length according to EN 558, ISO 5752
- Control range 90°<



d [mm]	DN [mm]	Inch	PN	kv-value ($\Delta p=1$ bar) [l/min]	EPDM Code	FPM Code	kg
63	50	2	10	1470	199 241 242	199 241 262	4.171
75	65	2 ½	10	2200	199 241 243	199 241 263	4.538
90	80	3	10	3000	199 241 244	199 241 264	6.073
110	100	4	10	6500	199 241 245	199 241 265	7.707
140	125	5	10	11500	199 241 246	199 241 266	9.695
160	150	6	10	16600	199 241 247	199 241 267	13.224
225	200	8	10	39600	199 241 248	199 241 268	18.442

d [mm]	Actuator unit type	D	D1 [mm]	d2 [mm]	H [mm]	H1 [mm]	H2 [mm]	H3 [mm]	H4 [mm]	H5 [mm]	L [mm]	L1 [mm]	L2 [mm]	L3 [mm]
63	PA-35 DA	M16	125	150	318	77	134	107	60	15	45	177	55	150
75	PA-35 DA	M16	145	170	330	83	140	107	60	15	46	177	55	160
90	PA-40 DA	M16	160	184	348	89	146	113	66	15	49	190	60	205
110	PA-45 DA	M16	180	216	373	104	167	102	71		56	235	65	244
140	PA-45 DA	M16	210	246	409	117	181	111	78		64	235	72	272
160	PA-55 DA	M20	240	273	448	130	189	129	86		72	279	80	297
225	PA-55 DA	M20	295	334	507	158	210	139	96		73	279	90	360

d [mm]	Q1 [mm]	Q2 [mm]
63	40	
75	54	35
90	67	50
110	88	74
140	113	97
160	139	123
225	178	169

PVC-C

Lugstyle butterfly valve type 242 PVC-C FC (Fail safe to close) Without manual override



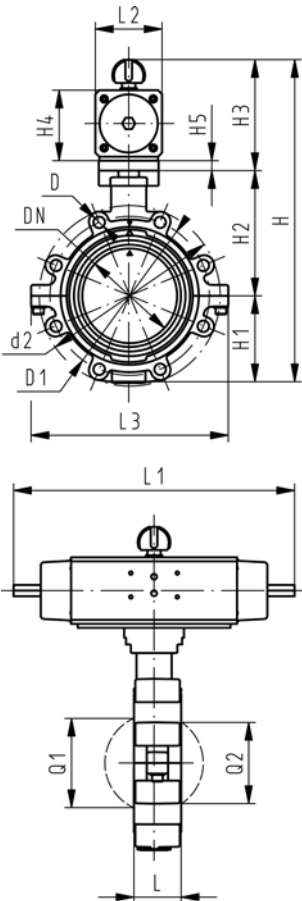
Model:

- Outer body in GGG-40.3 epoxy-coated
- Connecting dimension ANSI/ASME B 16.5 Class 150
- Overall length according to EN 558, ISO 5752
- Control range 90°<

Inch	DN [mm]	d [mm]	PN	kv-value ($\Delta p=1$ bar) [l/min]	EPDM Code	FPM Code	kg
2	50	63	10	1470	199 242 162	199 242 182	5.321
2 ½	65	75	10	2200	199 242 163	199 242 183	5.688
3	80	90	10	3000	199 242 164	199 242 184	6.113
4	100	110	10	6500	199 242 165	199 242 185	9.455
5	125	140	10	11500	199 242 166	199 242 186	12.445
6	150	160	10	16600	199 242 167	199 242 187	16.745
8	200	225	10	39600	199 242 168	199 242 188	24.442

Inch	Actuator unit type	D	D1 [mm]	d2 [mm]	H [mm]	H1 [mm]	H2 [mm]	H3 [mm]	H4 [mm]	H5 [mm]	L [mm]	L1 [mm]	L2 [mm]
2	PA-30 FC	UNC 5/8	121	150	328	77	134	117	70	15	45	276	65
2 ½	PA-30 FC	UNC 5/8	140	170	340	83	140	117	70	15	46	276	65
3	PA-35 FC	UNC 5/8	153	177	361	89	146	126	78	15	49	326	72
4	PA-40 FC	UNC 5/8	191	216	400	104	167	129	86		56	370	80
5	PA-45 FC	UNC 3/4	216	246	437	117	181	139	96		64	411	90
6	PA-50 FC	UNC 3/4	242	273	468	130	189	149	106		72	423	100
8	PA-55 FC	UNC 3/4	299	334	529	158	210	161	118		73	452	112

Inch	L3 [mm]	Q1 [mm]	Q2 [mm]
2	150	40	
2 ½	160	54	35
3	175	67	50
4	244	88	74
5	272	113	97
6	297	139	123
8	360	178	169



PVC-C

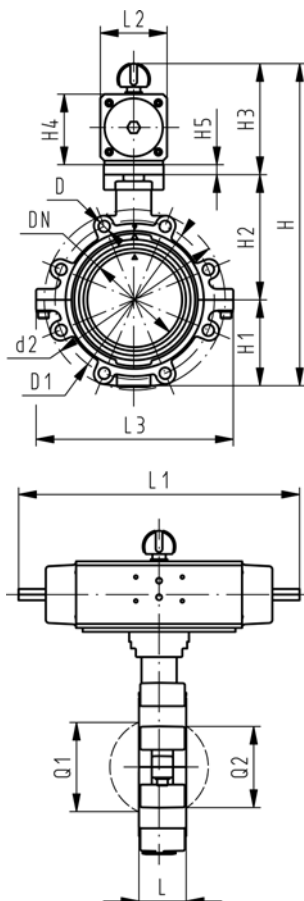
Lugstyle butterfly valve type 242 PVC-C FO (Fail safe to open) Without manual override



Model:

- Outer body in GGG-40.3 epoxy-coated
- Connecting dimension ANSI/ASME B 16.5 Class 150
- Overall length according to EN 558, ISO 5752
- Control range 90°<

Inch	DN [mm]	d [mm]	PN	kv-value ($\Delta p=1$ bar) [l/min]	EPDM Code	FPM Code	kg
2	50	63	10	1470	199 242 202	199 242 222	5.321
2 ½	65	75	10	2200	199 242 203	199 242 223	5.688
3	80	90	10	3000	199 242 204	199 242 224	6.113
4	100	110	10	6500	199 242 205	199 242 225	9.455
5	125	140	10	11500	199 242 206	199 242 226	12.445
6	150	160	10	16600	199 242 207	199 242 227	16.745
8	200	225	10	39600	199 242 208	199 242 228	24.442



Inch	Actuator unit type	D	D1 [mm]	d2 [mm]	H [mm]	H1 [mm]	H2 [mm]	H3 [mm]	H4 [mm]	H5 [mm]	L [mm]	L1 [mm]	L2 [mm]
2	PA-30 FO	UNC 5/8	121	150	328	77	134	117	70	15	45	276	65
2 ½	PA-30 FO	UNC 5/8	140	170	340	83	140	117	70	15	46	276	65
3	PA-35 FO	UNC 5/8	153	177	361	89	146	126	78	15	49	326	72
4	PA-40 FO	UNC 5/8	191	216	400	104	167	129	86		56	370	80
5	PA-45 FO	UNC 3/4	216	246	437	117	181	139	96		64	411	90
6	PA-50 FO	UNC 3/4	242	273	468	130	189	149	106		72	423	100
8	PA-55 FO	UNC 3/4	299	334	529	158	210	161	118		73	452	112

Inch	L3 [mm]	Q1 [mm]	Q2 [mm]
2	150	40	
2 ½	160	54	35
3	175	67	50
4	244	88	74
5	272	113	97
6	297	139	123
8	360	178	169

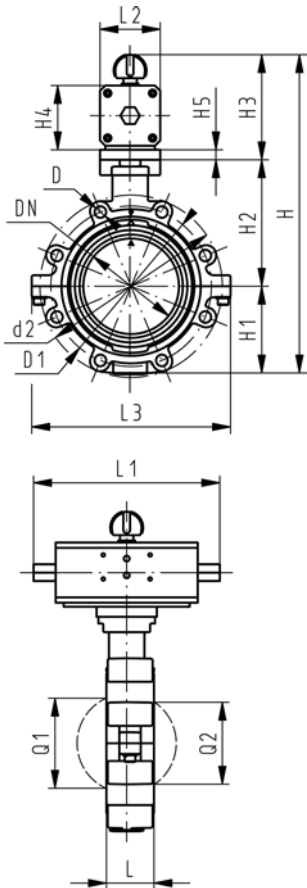
PVC-C

Lugstyle butterfly valve type 242 PVC-C DA (Double acting) Without manual override



Model:

- Outer body in GGG-40.3 epoxy-coated
- Connecting dimension ANSI/ASME B 16.5 Class 150
- Overall length according to EN 558, ISO 5752
- Control range 90°<



Inch	DN [mm]	d [mm]	PN	kv-value ($\Delta p=1$ bar) [l/min]	EPDM Code	FPM Code	kg
2	50	63	10	1470	199 242 242	199 242 262	4.171
2 ½	65	75	10	2200	199 242 243	199 242 263	4.538
3	80	90	10	3000	199 242 244	199 242 264	5.444
4	100	110	10	6500	199 242 245	199 242 265	7.707
5	125	140	10	11500	199 242 246	199 242 266	9.695
6	150	160	10	16600	199 242 247	199 242 267	13.224
8	200	225	10	39600	199 242 248	199 242 268	18.442

Inch	Actuator unit type	D	D1 [mm]	d2 [mm]	H [mm]	H1 [mm]	H2 [mm]	H3 [mm]	H4 [mm]	H5 [mm]	L [mm]	L1 [mm]	L2 [mm]
2	PA-35 DA	UNC 5/8	121	150	318	77	134	107	60	15	45	177	55
2 ½	PA-35 DA	UNC 5/8	140	170	330	83	140	107	60	15	46	177	55
3	PA-40 DA	UNC 5/8	153	177	348	89	146	113	66	15	49	190	60
4	PA-45 DA	UNC 5/8	191	216	373	104	167	102	71		56	235	65
5	PA-45 DA	UNC 3/4	216	246	409	117	181	111	78		64	235	72
6	PA-55 DA	UNC 3/4	242	273	448	130	189	129	86		72	279	80
8	PA-55 DA	UNC 3/4	299	334	507	158	210	139	96		73	279	90

Inch	L3 [mm]	Q1 [mm]	Q2 [mm]
2	150	40	
2 ½	160	54	35
3	175	67	50
4	244	88	74
5	272	113	97
6	297	139	123
8	360	178	169

PVC-C Accessories

Backing Flanges, PP-V, PP/Steel

27 70 04
27 70 05

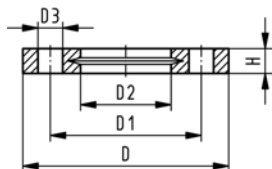


Backing Flange, PP-V for Socket Systems metric

Model:

- Modern full-plastic flange PP-GF (30 % glass-fibre reinforced)
- With V-groove which applies force evenly on collar
- With integrated bolt retainers as an assembly aid
- Connecting dimension: ISO 7005, EN 1092, BS 4504, DIN 2501
- **Bolt circle PN 10**

¹⁾ Suitable for socket- and butt fusion systems (no pictograph on flange)
AL: number of holes



d [mm]	Inch	DN [mm]	PN	Code	SP	GP	kg	D [mm]	D1 [mm]	D2 [mm]	D3 [mm]	H [mm]	A L	SC
20		15	16	727 700 406	56	0	0.080	95	65	28	14	16	4	M12
25		20	16	727 700 407	38	0	0.100	105	75	34	14	17	4	M12
32		25	16	727 700 408	80	0	0.140	115	85	42	14	18	4	M12
40		32	16	727 700 409	40	0	0.220	140	100	51	18	20	4	M16
50		40	16	727 700 410	30	0	0.210	150	110	62	18	22	4	M16
63		50	16	727 700 411	25	0	0.380	165	125	78	18	24	4	M16
75		65	16	727 700 412	19	0	0.480	185	145	92	18	26	4	M16
90		80	16	727 700 413	15	0	0.520	200	160	110	18	27	8	M16
110		100	16	727 700 414	13	0	0.680	220	180	133	18	28	8	M16
140		125	16	727 700 416	10	0	0.800	250	210	167	18	30	8	M16
160	6	150	16	727 700 417	0	0	1.200	285	241	190	22	32	8	M20
200		200	16	727 700 419	0	0	1.500	340	296	226	22	34	8	M20
225	8	200	16	727 700 420	0	0	1.400	340	295	250	22	34	8	M20

27 70 02



Backing Flange, PP/Steel for Socket Systems metric

Model:

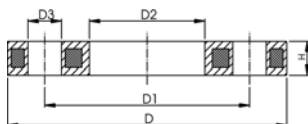
- PP-GF (30% glass-fibre reinforced) with steel ring
- Connecting dimension: ISO 7005, EN 1092, BS 4504, DIN 2501
- **Bolt circle PN 10**

¹ Connecting dimension: ISO 2536 DN125

* Connecting dimension: ISO 2536

AL: number of holes

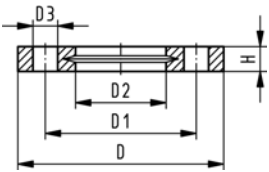
Suitable for socket and butt fusion systems, no pictograph on flange.



d [mm]	DN [mm]	PN	Code	kg	D [mm]	D1 [mm]	D2 [mm]	D3 [mm]	H [mm]	A L	SC
20	15	16	727 700 206	0.220	95	65	28	14	12	4	M12
25	20	16	727 700 207	0.260	105	75	34	14	12	4	M12
32	25	16	727 700 208	0.430	115	85	42	14	16	4	M12
40	32	16	727 700 209	0.650	140	100	51	18	16	4	M16
50	40	16	727 700 210	0.820	150	110	62	18	18	4	M16
63	50	16	727 700 211	0.940	165	125	78	18	18	4	M16
75	65	16	727 700 212	1.300	185	145	92	18	18	4	M16
90	80	16	727 700 213	1.400	200	160	110	18	20	8	M16
110	100	16	727 700 214	1.560	220	180	133	18	20	8	M16
125	100	16	727 700 215	2.590	250	210	150	18	24	8	M16
140	125	16	727 700 216	2.120	250	210	167	18	24	8	M16
160	150	16	727 700 217	3.390	285	240	190	22	24	8	M20
200	200	16	727 700 219	5.850	340	295	226	22	27	8	M20
225	200	16	727 700 220	4.410	340	295	250	22	27	8	M20
250	250	16	727 700 021	8.340	395	350	277	22	30	12	M20
* 250	250	16	727 700 221	8.340	395	325	277	22	30	8	M20
280	250	16	727 700 222	5.520	395	350	310	22	30	12	M20
315	300	16	727 700 223	7.600	445	400	348	22	34	12	M20
355	350	16	727 700 224	13.960	515	460	388	23	40	16	M20
400	400	16	727 700 225	17.380	574	515	442	26	40	16	M24

PVC-C Accessories

27 70 14
27 70 15



Backing Flange, PP-V for Socket Systems Inch/ANSI

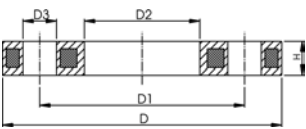
Model:

- Modern full-plastic flange PP-GF (30 % glass-fibre reinforced)
- With V-groove which applies force evenly on collar
- With integrated bolt-fixing as an assembly aid
- Connecting dimension: ANSI/ASME B 16.5 class 150, ASTM D 4024, BS 1560, BS EN 1759
- **Bolt circle class 150**

¹⁾ Suitable for socket- and butt fusion systems (no pictograph on flange)
AL: number of holes

Inch	DN [mm]	PN	Code	kg	kg/m	D [mm]	D1 [mm]	D2 [mm]	D3 [mm]	H [mm]	A L	SC
1/2	15	16	727 701 406	0.080	0.080	95	60	28	16	16	4	M12
3/4	20	16	727 701 407	0.100	0.100	105	70	34	16	17	4	M12
1	25	16	727 701 408	0.140	0.140	115	79	42	16	18	4	M12
1 1/4	32	16	727 701 409	0.220	0.220	140	89	51	16	20	4	M16
1 1/2	40	16	727 701 410	0.210	0.210	150	98	62	16	22	4	M16
2	50	16	727 701 411	0.380	0.380	165	121	78	19	24	4	M16
2 1/2	65	16	727 701 412	0.480	0.480	185	140	92	19	26	4	M16
3	80	16	727 701 413	0.520	0.520	200	152	110	19	27	4	M16
4	100	16	727 701 414	0.680	0.680	229	190	133	19	28	8	M16
6	150	16	727 700 417	1.200	1.199	285	241	190	22	32	8	M20
8	200	16	727 700 420	1.400	1.400	340	295	250	22	34	8	M20

27 70 12



Backing Flange, PP/Steel for Socket Systems Inch/ANSI

Model:

- For Flange Adaptors BS/ANSI
- Material: PP (30 % glass-fibre reinforced) with steel ring
- Connecting dimension: ANSI/ASME B 16.5 class 150, ASTM D 4024, BS 1560, BS EN 1759
- **Bolt circle class 150**
- DN100 and DN150: only for use with original metric flange adaptors

AL: number of holes

DN [mm]	d [mm]	PN	Code	GP	kg	kg/m	D1 [mm]	D2 [mm]	D3 [mm]	D [mm]	H [mm]	A L
15	20	16	727 701 206	0	0.210	0.210	60	28	16	95	12	4
20	25	16	727 701 207	0	0.250	0.250	70	34	16	105	12	4
25	32	16	727 701 208	0	0.420	0.420	79	42	16	115	16	4
32	40	16	727 701 209	0	0.670	0.670	89	51	16	140	16	4
40	50	16	727 701 210	0	0.860	0.860	98	62	16	150	18	4
50	63	16	727 701 211	0	0.930	0.930	121	78	19	165	18	4
65	75	16	727 701 212	0	1.340	1.340	140	92	19	185	18	4
80	90	16	727 701 213	0	1.550	1.550	152	110	19	200	20	4
100	110	16	727 701 214	0	1.810	1.810	190	133	19	229	20	8
150	160	16	727 700 217	0	3.390	3.390	240	190	22	285	24	8
200	200	16	727 701 220	0	4.410	4.410	298	250	22	340	27	8

PVC-C Accessories

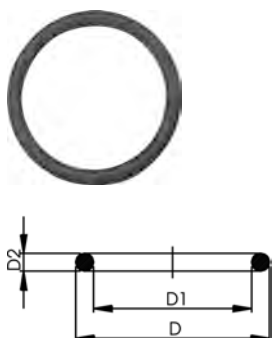
Seals

EPDM 48 41 00
FPM 49 41 00

O-Ring Gasket, FPM black

Model:

- For unions and adaptor unions
- Hardness approx. 65° Shore
- FPM minimum temperature -15°C



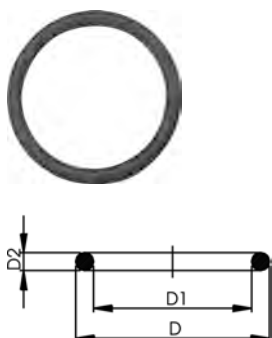
d [mm]	DN [mm]	EPDM Code	FPM Code	SP	kg	D [mm]	D1 [mm]	D2 [mm]
10 - 12	8	748 410 004	749 410 004	0	0.002	18	12	2.62
16	10	748 410 005	749 410 005	0	0.002	21	16	2.62
20	15	748 410 006	749 410 006	0	0.002	27	20	3.53
25	20	748 410 007	749 410 007	100	0.002	35	28	3.53
32	25	748 410 008	749 410 008	100	0.002	40	33	3.53
40	32	748 410 009	749 410 009	0	0.006	51	41	5.34
50	40	748 410 010	749 410 010	0	0.007	58	47	5.34
63	50	748 410 011	749 410 011	100	0.010	70	60	5.34
75	65	748 410 014	749 410 014	100	0.012	93	82	5.34
90	80	748 410 015	749 410 015	100	0.015	112	101	5.34
110	100	748 410 016	749 410 016	50	0.031	134	120	6.99

EPDM 48 41 00
FPM 49 41 00

O-Ring Gasket, FPM black

Model:

- For Flange Adaptors
- Hardness approx. 65° Shore



d [mm]	DN [mm]	EPDM Code	FPM Code	SP	kg	D [mm]	D1 [mm]	D2 [mm]
16	10	748 410 000	749 410 000	0	0.002	26	19	3.53
20	15	748 410 001	749 410 001	100	0.002	31	23	3.53
32	25	748 410 002	749 410 002	100	0.003	43	36	3.53
40	32	748 410 003	749 410 003	0	0.007	55	44	5.34
50	40	748 410 012	749 410 012	100	0.008	64	53	5.34
63	50	748 410 013	749 410 013	100	0.011	80	69	5.34
75	65	748 410 014	749 410 014	100	0.012	93	82	5.34
90	80	748 410 015	749 410 015	100	0.015	112	101	5.34
125	100	748 410 017	749 410 017	200	0.036	150	136	6.99
140	125	748 410 018	749 410 018	200	0.039	166	152	6.99
160	150	748 410 019	749 410 019	200	0.044	191	177	6.99
200	200	748 410 163	749 410 163	0	0.056	236	222	6.99
225	200	748 410 022	749 410 022	150	0.060	255	241	6.99
250	250	748 410 182	749 410 182	0	0.003	280	266	6.99
280	250	748 410 173	749 410 173	0	0.044	306	292	6.99
315	300	748 410 174	749 410 174	0	0.051	356	342	6.99

PVC-C Accessories

EPDM 48 40 03



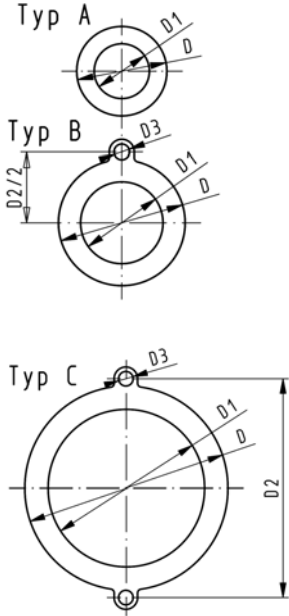
Flat Gasket EPDM



Model:

- For all GF Flange Adaptors
- Hardness : EPDM ca. 70° Shore
- Integrated fixation aids from d110
- Centering on the inner diameter of the screw crown

di FA are the suitable inner diameters of flange adaptors



d [mm]	DN [mm]	PN	Type	EPDM Code	kg	D [mm]	D1 [mm]	D2 [mm]	D3 [mm]	H [mm]	di FA [mm]
16	10	10	A	748 400 305	0.005	46	16			2	6 - 26
20	15	10	A	748 400 306	0.010	51	20			2	10 - 30
25	20	10	A	748 400 307	0.020	61	25			2	15 - 35
32	25	10	A	748 400 308	0.025	71	32			2	22 - 42
40	32	10	A	748 400 309	0.030	82	40			3	30 - 50
50	40	10	A	748 400 310	0.035	92	50			3	40 - 60
63	50	10	A	748 400 311	0.040	107	63			3	53 - 73
75	65	10	A	748 400 312	0.045	127	71			3	61 - 81
90	80	10	A	748 400 313	0.050	142	84			3	74 - 94
110	100	10	B	748 400 314	0.032	162	104	180	18	4	94 - 114
125	100	10	B	748 400 315	0.058	162	119	180	18	4	109 - 129
140	125	10	B	748 400 316	0.062	192	134	210	18	4	124 - 144
160 / 180	150	10	B	748 400 317	0.068	218	155	241	22	4	145 - 165
200	200	6	C	748 400 319	0.075	273	195	295	22	5	185 - 205
225	200	6	C	748 400 320	0.079	273	216	295	22	5	206 - 226

EPDM 48 44 07
FPM 49 44 07



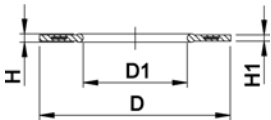
Profile Flange Gasket metric EPDM / FPM



Model:

- For all GF Flange Adaptors
- Profile Gasket with steel insert (type G-ST-P/K)
- Hardness: 70° Shore **EPDM**, 75° Shore **FPM**
- Centering on the inner diameter of the screw crown

di FA are the suitable inner diameters of flange adaptors



d [mm]	DN [mm]	PN	EPDM Code	FPM Code	kg	D [mm]	D1 [mm]	H [mm]	H1 [mm]	di FA [mm]
16	10	16	748 440 705	749 440 705	0.007	46	16	4	3	6 - 16
20	15	16	748 440 706	749 440 706	0.008	51	20	4	3	10 - 20
25	20	16	748 440 707	749 440 707	0.011	61	22	4	3	12 - 22
32	25	16	748 440 708	749 440 708	0.014	71	28	4	3	18 - 28
40	32	16	748 440 709	749 440 709	0.021	82	40	4	3	30 - 40
50	40	16	748 440 710	749 440 710	0.022	92	46	4	3	36 - 46
63	50	16	748 440 711	749 440 711	0.041	107	58	5	4	48 - 58
75	65	16	748 440 712	749 440 712	0.055	127	69	5	4	59 - 69
90	80	16	748 440 713	749 440 713	0.062	142	84	5	4	73 - 84
110	100	16	748 440 714	749 440 714	0.085	162	104	6	5	94 - 104
125	100	16	748 440 715	749 440 715	0.158	162	123	6	5	113 - 123
140	125	16	748 440 716	749 440 716	0.118	192	137	6	5	127 - 137
160 / 180	150	16	748 440 717	749 440 717	0.153	218	160	8	6	150 - 160
200	200	16	748 440 719	749 440 719	0.263	273	203	8	6	192 - 203
225	200	16	748 440 720	749 440 720	0.181	273	220	8	6	207 - 220

PVC-C Accessories

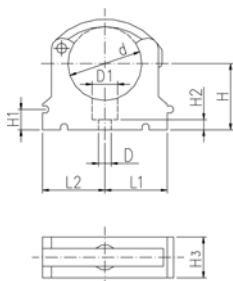
Pipe Clips metric

KLIP-IT Pipe Clip Type 061, PP metric



Model:

- For mm pipes
- Material: Clip and safety clip PP black, UV resistant
- d16 - d63: Height designed for Ball Valve Type 546 and 543
- **Minimum order quantity: standard packagings SP**

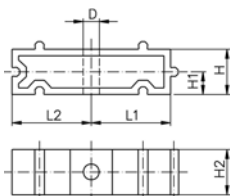


d [mm]	Code	SP	GP	kg/m	D [mm]	D1 [mm]	L1 [mm]	L2 [mm]	H [mm]	H1 [mm]	H2 [mm]	H3 [mm]	SC
* 10	167 061 003	10	500	0.003	5	8	11	14	20	10	6	12	M4
* 12	167 061 004	10	500	0.003	5	8	11	14	21	10	6	12	M5
* 16	167 061 035	200	0	0.006	6	11	14	17	27	10	6	16	M5
* 20	167 061 036	200	0	0.008	6	11	17	19	27	10	6	16	M5
* 25	167 061 037	10	200	0.009	6	11	19	22	30	10	6	16	M5
* 32	167 061 038	10	150	0.012	6	11	24	27	36	10	6	16	M5
40	167 061 039	10	140	0.027	7	14	34	34	44	10	7	22	M6
50	167 061 040	10	100	0.031	7	14	37	37	51	10	7	22	M6
63	167 061 041	10	80	0.054	9	17	45	45	64	10	10	25	M8
75	167 061 012	10	60	0.058	9	17	52	52	58	10	10	25	M8
90	167 061 013	10	80	0.090	9	17	65	65	65	10	10	28	M8
110	167 061 014	10	40	0.114	9	17	79	79	75	10	10	28	M8
125	167 061 015	10	30	0.174	9	17	88	88	90	10	10	32	M8
140	167 061 016	10	20	0.217	9	17	98	98	110	10	10	32	M8
160	167 061 017	10	20	0.237	9	17	109	109	108	10	10	32	M8

KLIP-IT Spacer Type 061, PP

Model:

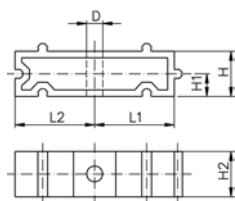
- For pipe clips Type 061/061H, PP black, UV resistant
- **Minimum order quantity: standard packaging SP**



d [mm]	Inch [inch]	Code	SP	GP	kg	kg/m
10 - 12	1/8 - 1/4	167 061 153	10	500	0.003	0.003
16	3/8	167 061 155	10	200	0.006	0.006
20	1/2	167 061 156	10	200	0.006	0.006
25	3/4	167 061 157	10	200	0.007	0.007
32	1	167 061 158	10	200	0.008	0.008
40	1 1/4	167 061 159	10	150	0.016	0.016
50	1 1/2	167 061 160	10	140	0.017	0.017
63	2	167 061 161	10	80	0.024	0.024
75	2 1/2	167 061 162	10	60	0.027	0.027
90	3	167 061 163	10	140	0.040	0.040
110	4	167 061 164	10	100	0.048	0.048
125	4 1/2	167 061 165	10	100	0.059	0.059
140	5	167 061 166	10	80	0.065	0.065
160	6	167 061 167	10	80	0.074	0.074

d [mm]	D [mm]	L1 [mm]	L2 [mm]	H [mm]	H1 [mm]	H2 [mm]	SC
10 - 12	5	11	14	20	10	12	M4
16	6	14	17	20	10	16	M5
20	6	17	19	20	10	16	M5
25	6	19	22	20	10	16	M5
32	6	24	27	20	10	16	M5
40	7	34	34	20	10	22	M6
50	7	37	37	20	10	22	M6
63	9	45	45	20	10	25	M8
75	9	52	52	20	10	25	M8
90	9	65	65	20	10	28	M8
110	9	79	79	20	10	28	M8

PVC-C Accessories



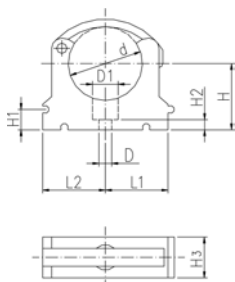
d [mm]	D [mm]	L1 [mm]	L2 [mm]	H [mm]	H1 [mm]	H2 [mm]	SC
125	9	88	88	20	10	32	M8
140	9	98	98	20	10	32	M8
160	9	109	109	20	10	32	M8



KLIP-IT Pipe Clip Type 061, PE metric

Model:

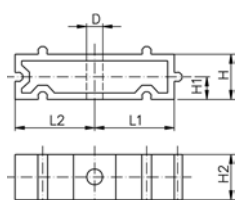
- For mm pipes
- Material: Clip PE and safety clip PP black
- **Minimum order quantity: standard packaging SP**
- Height not designed for ball valve 546. Please use spacer 73 06 11.



d [mm]	Code	SP	GP	kg	kg/m
* 10	173 061 003	10	500	0.003	0.003
* 12	173 061 004	10	500	0.006	0.006
* 16	173 061 005	10	200	0.007	0.007
* 20	173 061 006	10	200	0.008	0.008
* 25	173 061 007	10	200	0.009	0.009
* 32	173 061 008	10	200	0.012	0.012
40	173 061 009	10	150	0.022	0.022
50	173 061 010	10	140	0.030	0.030
63	173 061 011	10	80	0.044	0.044
75	173 061 012	10	60	0.062	0.062
90	173 061 013	10	80	0.090	0.090
110	173 061 014	10	40	0.114	0.114
125	173 061 015	10	30	0.174	0.174
140	173 061 016	10	20	0.217	0.217
160	173 061 017	10	20	0.237	0.237

d [mm]	D [mm]	D1 [mm]	L1 [mm]	L2 [mm]	H [mm]	H1 [mm]	H2 [mm]	H3 [mm]	SC
* 10	5	8	11	14	20	10	6	12	M4
* 12	5	8	11	14	21	10	6	12	M5
* 16	6	11	14	17	23	10	6	16	M5
* 20	6	11	17	19	25	10	6	16	M5
* 25	6	11	19	22	28	10	6	16	M5
* 32	6	11	24	27	31	10	6	16	M5
40	7	14	34	34	35	10	7	22	M6
50	7	14	37	37	40	10	7	22	M6
63	9	17	45	45	52	10	10	25	M8
75	9	17	52	52	58	10	10	25	M8
90	9	17	65	65	65	10	10	28	M8
110	9	17	79	79	75	10	10	28	M8
125	9	17	88	88	90	10	10	32	M8
140	9	17	98	98	110	10	10	32	M8
160	9	17	109	109	108	10	10	32	M8

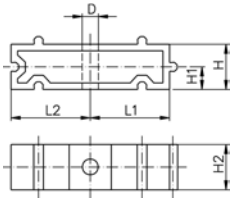
73 06 11



KLIP-IT Spacer Type 061, PE

d [mm]	Inch	Code	SP	GP	kg	kg/m	D [mm]	L1 [mm]	L2 [mm]	H [mm]	H1 [mm]	H2 [mm]	SC
16	3/8	173 061 153	10	500	0.003	0.003	5	11	14	20	10	12	M4
20	1/2	173 061 155	10	200	0.005	0.005	6	14	17	20	10	16	M5
25	3/4	173 061 156	10	200	0.006	0.006	6	17	19	20	10	16	M5
32	1	173 061 157	10	200	0.007	0.007	6	19	22	20	10	16	M5
40	1 1/4	173 061 158	10	200	0.008	0.008	6	24	27	20	10	16	M5
50	1 1/2	173 061 159	10	150	0.016	0.016	7	34	34	20	10	22	M6
63	2	173 061 160	10	140	0.017	0.017	7	37	37	20	10	22	M6
75	2 1/2	173 061 161	10	80	0.025	0.025	9	45	45	20	10	25	M8
90	3	173 061 162	10	60	0.027	0.027	9	52	52	20	10	25	M8
110	4	173 061 163	10	140	0.040	0.040	9	65	65	20	10	28	M8
		173 061 164	10	100	0.048	0.048	9	79	79	20	10	28	M8

PVC-C Accessories



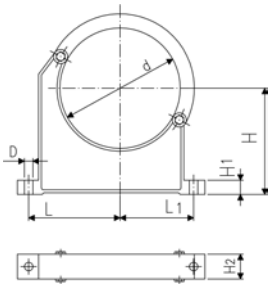
d [mm]	Inch	Code	SP	GP	kg	kg/m	D [mm]	L1 [mm]	L2 [mm]	H [mm]	H1 [mm]	H2 [mm]	SC
125	4 1/2	173 061 165	10	100	0.059	0.059	9	88	88	20	10	32	M8
140	5	173 061 166	10	80	0.065	0.065	9	98	98	20	10	32	M8
160	6	173 061 167	10	80	0.074	0.074	9	109	109	20	10	32	M8

Pipe Clip Type 060, PP metric



Model:

- For mm pipes d90-400
- Material: Clip and safety clip PP black, UV resistant
- Accidental opening of the safety clip is not possible
- **Minimum order quantity: standard packaging SP or gross packaging GP**
- Clip and safety clip are not assembled in the packaging.
- Pipes with flanges can be installed directly



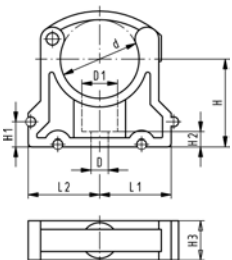
d [mm]	Code	SP	GP	kg	kg/m	D [mm]	L [mm]	L1 [mm]	H [mm]	H1 [mm]	H2 [mm]	SC
90	167 060 038	0	40	0.163	0.163	9	89	71	105	15	33	M 8
110	167 060 039	0	30	0.179	0.179	9	94	80	115	15	33	M 8
125	167 060 040	10	20	0.300	0.300	11	116	91	130	20	35	M10
140	167 060 041	10	20	0.309	0.309	11	121	98	130	20	35	M10
160	167 060 042	10	20	0.348	0.348	11	131	107	148	20	35	M10
180	167 060 043	10	0	0.378	0.378	11	143	115	163	20	35	M10
200	167 060 019	5	0	0.582	0.582	13	152	120	175	25	39	M12
225	167 060 020	5	0	0.612	0.612	13	165	132	175	25	39	M12
250	167 060 021	5	0	0.698	0.698	13	183	143	200	25	39	M12
280	167 060 022	5	0	0.722	0.722	13	198	156	200	25	39	M12
315	167 060 023	5	0	0.842	0.842	13	219	172	225	25	39	M12
355	167 060 024	5	0	1.250	1.250	17	275	209	258	30	50	M16
400	167 060 025	5	0	1.450	1.450	17	300	228	288	30	50	M16

KLIP-IT Pipe Clip Type 061H, PP metric



Model:

- For mm-pipes d16-d63
- Material: PP black, UV resistant
- **Minimum order quantity: standard packagings SP**
- d16 - d63: height designed for Ball Valve Type 546
- * d16 to d32 without bracket



d [mm]	Code	SP	GP	kg	kg/m
* 16	167 061 035	200	0	0.006	0.006
* 20	167 061 036	200	0	0.008	0.008
* 25	167 061 037	10	200	0.009	0.009
* 32	167 061 038	10	150	0.012	0.012
40	167 061 039	10	140	0.027	0.027
50	167 061 040	10	100	0.031	0.031
63	167 061 041	10	80	0.054	0.054

d [mm]	D [mm]	D1 [mm]	L1 [mm]	L2 [mm]	H [mm]	H1 [mm]	H2 [mm]	H3 [mm]	SC
* 16	6	11	14	17	27	10	6	16	M5
* 20	6	11	17	19	27	10	6	16	M5
* 25	6	11	19	22	30	10	6	16	M5
* 32	6	11	24	27	36	10	6	16	M5
40	7	14	34	34	44	10	7	22	M6
50	7	14	37	37	51	10	7	22	M6
63	9	17	45	45	64	10	10	25	M8

PVC-C Accessories



Tangit Solvent Cement for PVC-C

Code	SP	GP	kg	kg/m
799 298 027	0	0	0.700	0.700



Tangit Dytex special solvent cement

Model:

- Special solvent cement, transparent.
- For concentrated acids and strong oxidizing agents the use of Dytex is recommended
- 1.350 kg (net) tin

Code	SP	GP	kg	kg/m
799 298 012	0	0	1.465	1.465



Cap for cement

- Cap prevents the evaporation of the solvent whilst using the Tangit cement
- Tangit cement

Code	SP	GP	kg	kg/m
799 298 028	0	0	0.030	0.030



PPC Plastic pipe cutter

- For cutting plastic pipes d10 - d160

d-d [mm]	Article	Code	SP	GP	kg	kg/m
10 - 63	PPC 63, s max. = 7.2mm	790 109 001	0	0	0.710	0.710
50 - 110	PPC 110, s max. = 12.7mm	790 109 002	0	0	1.400	1.400
110 - 160	PPC 160, s max. = 19.0mm	790 109 003	0	0	2.220	2.220



Chamfering Tool

Size	d-d [mm]	Code	kg	kg/m
1	16 - 75	799 495 145	0.720	0.720
2	32 - 200	799 495 146	0.992	0.992



Tangit Cleaner

Model:

- 1 litre tin

Code	SP	GP	kg	kg/m
799 298 010	0	0	0.900	0.900



Dytex Cleaner

Model:

- 1 litre tin

Code	SP	GP	kg	kg/m
799 298 013	0	0	1.380	1.380

PVC-C Accessories



Round Brush

d-d [mm]	Code	SP	GP	kg	kg/m	
6 - 10	799 299 001	0	0	0.005	0.005	
12 - 32	799 299 002	0	0	0.009	0.009	



Flat Brush

d-d [mm]	Code	SP	GP	kg	kg/m	
40 - 63	799 299 003	0	0	0.015	0.015	
75 - 225	799 299 004	0	0	0.026	0.026	
250 - 400	799 299 005	0	0	0.045	0.045	

Codenumber Index

Code	Page
-	64
161 305 336	83
161 305 337	83
161 305 338	83
161 305 339	83
161 305 386	83
161 305 387	83
161 305 388	83
161 305 389	83
161 305 436	83
161 305 437	83
161 305 438	83
161 305 439	83
161 305 486	83
161 305 487	83
161 305 488	83
161 305 489	83
161 305 536	83
161 305 537	83
161 305 538	83
161 305 539	83
161 305 586	83
161 305 587	83
161 305 588	83
161 305 589	83
161 305 636	83
161 305 637	83
161 305 638	83
161 305 639	83
161 305 686	83
161 305 687	83
161 305 688	83
161 305 689	83
161 311 698	63
161 311 699	63
161 311 700	63
161 311 701	63
161 311 702	63
161 311 703	63
161 330 304	66
161 330 354	66
161 330 404	66
161 330 454	66
161 330 504	66
161 330 554	66
161 330 654	66
161 480 141	66
161 480 149	66
161 480 158	67
161 480 240	63
161 480 241	63
161 480 242	63
161 481 022	63
161 481 023	63
161 481 024	63
161 481 025	63
161 481 026	63
161 481 027	63
161 481 028	63
161 481 029	63
161 481 030	63
161 481 759	64
161 481 760	64
161 482 514	62
161 482 515	62
161 482 516	62
161 482 517	62
161 482 744	64
161 482 754	63
161 482 760	63
161 482 901	62

Code	Page
161 482 906	62
161 482 910	67
161 482 911	67
161 482 912	67
161 482 913	67
161 482 914	67
161 482 915	67
161 482 920	67
161 482 921	67
161 482 922	67
161 482 923	67
161 482 924	67
161 482 925	67
161 483 008	63
161 483 009	63
161 483 011	63
161 483 020	63
161 483 021	63
161 483 023	63
161 483 032	63
161 483 033	63
161 483 034	63
161 483 037	63
161 483 126	82
161 483 127	82
161 483 128	82
161 483 129	82
161 483 130	82
161 483 131	82
161 483 132	82
161 483 133	82
161 483 259	66
161 483 260	66
161 483 261	66
161 483 262	66
161 483 263	66
161 483 264	66
161 483 265	66
161 483 266	66
161 483 267	66
161 483 268	66
161 483 269	66
161 483 270	66
161 484 625	62
161 484 626	62
161 484 627	62
161 484 628	62
161 484 629	62
161 484 630	62
161 484 631	62
161 484 632	62
161 484 633	62
161 484 634	62
161 484 635	62
161 484 636	62
161 484 637	62
161 484 638	62
161 484 688	63
161 484 689	63
161 484 690	63
161 484 691	63
161 484 692	63
161 484 693	63
161 484 694	63
161 484 696	63
161 484 697	63
161 484 698	63
161 484 699	63
161 484 700	63
161 484 701	63
161 484 702	63

Code	Page
161 484 704	63
161 484 705	63
161 484 706	63
161 484 707	63
161 484 708	63
161 484 709	63
161 486 100	83
161 486 101	83
161 486 102	83
161 486 103	83
161 486 104	83
161 486 105	83
161 486 106	83
161 486 107	83
161 486 285	37
161 486 286	37
161 486 287	37
161 486 288	37
161 486 289	37
161 486 290	37
161 486 291	37
161 486 292	37
161 486 293	37
161 486 325	79
161 486 326	79
161 486 327	79
161 486 328	79
161 486 400	47
161 486 401	47
161 486 402	47
161 486 403	47
161 486 404	47
161 486 405	47
161 486 406	47
161 486 407	47
161 486 408	47
161 486 410	47
161 486 411	47
161 486 412	47
161 486 413	47
161 486 414	47
161 486 415	47
161 486 416	47
161 486 417	47
161 486 418	47
161 486 435	43
161 486 436	43
161 486 437	43
161 486 438	43
161 486 443	44
161 486 444	44
161 486 445	44
161 486 446	44
161 486 689	46
161 486 690	79
161 486 691	79
161 486 694	79
161 486 695	79
161 486 697	79
161 486 899	79
161 486 900	79
161 486 901	79
161 486 902	79
161 486 903	79
161 486 904	79
161 486 905	79
161 486 906	79
161 486 907	79
161 486 959	78
161 486 960	78
161 486 961	78

Codenumber Index

Code	Page
161 486 962	78
161 486 963	78
161 486 964	78
161 486 965	78
161 486 966	78
161 486 967	78
161 486 979	78
161 486 980	78
161 486 981	78
161 486 982	78
161 486 983	78
161 486 984	78
161 486 985	78
161 486 986	78
161 486 987	78
161 488 242	57
161 488 243	57
161 488 244	57
161 488 245	57
161 488 246	57
161 488 247	57
161 488 248	57
161 488 249	57
161 488 250	57
161 488 251	57
161 488 252	57
161 488 253	57
163 017 130	5
163 017 131	5
163 017 132	5
163 017 133	5
163 017 134	5
163 017 135	5
163 017 136	5
163 017 137	5
163 017 138	5
163 017 139	5
163 017 142	5
163 017 187	5
163 017 188	5
163 017 189	5
163 017 192	5
163 017 195	5
163 305 302	81
163 305 303	81
163 305 304	81
163 305 305	81
163 305 306	81
163 305 307	81
163 305 317	81
163 305 318	81
163 305 319	81
163 305 320	81
163 305 321	81
163 305 322	81
163 314 017	59
163 314 018	59
163 314 019	59
163 314 020	59
163 314 021	59
163 314 022	59
163 315 617	59
163 315 618	59
163 315 619	59
163 315 620	59
163 315 621	59
163 315 622	59
163 315 632	59
163 315 633	59
163 315 634	59
163 315 635	59

Code	Page
163 315 636	59
163 315 637	59
163 317 024	59
163 317 025	59
163 317 039	59
163 317 040	59
163 317 517	59
163 317 518	59
163 317 519	59
163 317 520	59
163 317 521	59
163 317 522	59
163 317 523	59
163 317 532	59
163 317 533	59
163 317 534	59
163 317 535	59
163 317 536	59
163 317 537	59
163 317 538	59
163 360 401	65
163 360 402	65
163 360 403	65
163 360 404	65
163 360 405	65
163 360 406	65
163 360 407	65
163 360 411	65
163 360 412	65
163 360 413	65
163 360 414	65
163 360 415	65
163 360 416	65
163 360 417	65
163 480 081	67
163 480 082	67
163 480 083	67
163 480 084	67
163 480 085	67
163 480 135	62
163 480 136	62
163 480 137	62
163 480 138	62
163 480 139	62
163 480 140	62
163 480 271	62
163 480 272	62
163 480 273	62
163 480 274	62
163 480 275	62
163 480 276	62
163 480 522	67
163 480 523	67
163 480 524	67
163 480 525	67
163 480 526	67
163 480 527	67
163 480 528	67
163 480 645	66
163 480 646	66
163 480 647	66
163 480 648	66
163 480 649	66
163 480 650	66
163 480 651	66
163 480 655	66
163 480 656	66
163 480 657	66
163 480 658	66
163 480 659	66
163 480 660	66

Code	Page
163 480 661	66
163 480 677	64
163 480 678	64
163 480 808	64
163 480 809	64
163 480 810	64
163 480 811	64
163 480 812	64
163 480 813	64
163 480 814	64
163 480 995	67
163 481 075	82
163 481 076	82
163 481 077	82
163 481 078	82
163 481 079	82
163 481 080	82
163 481 084	83
163 481 085	83
163 481 086	83
163 481 087	83
163 481 088	83
163 481 089	83
163 481 102	82
163 481 103	82
163 481 104	82
163 481 105	82
163 481 106	82
163 481 107	82
163 481 226	38
163 481 227	38
163 481 228	38
163 481 229	38
163 481 230	38
163 481 231	38
163 481 232	38
163 481 233	38
163 481 234	38
163 481 251	46
163 481 252	46
163 481 253	46
163 481 254	46
163 481 255	46
163 481 256	46
163 481 257	46
163 481 258	46
163 481 259	46
163 481 263	46
163 481 264	46
163 481 265	46
163 481 266	46
163 481 267	46
163 481 268	46
163 481 269	46
163 481 270	46
163 481 271	46
163 481 275	36
163 481 276	36
163 481 277	36
163 481 278	36
163 481 279	36
163 481 280	36
163 481 281	36
163 481 282	36
163 481 283	36
163 481 284	36
163 481 286	36
163 481 287	36
163 481 288	36
163 481 289	36
163 481 290	36

Codenumber Index

Code	Page
163 481 291	36
163 481 292	36
163 481 293	36
163 481 294	36
163 481 295	36
163 481 300	36
163 481 301	36
163 481 302	36
163 481 303	36
163 481 304	36
163 481 305	36
163 481 306	36
163 481 307	36
163 481 308	36
163 481 309	36
163 481 311	36
163 481 312	36
163 481 313	36
163 481 314	36
163 481 315	36
163 481 316	36
163 481 317	36
163 481 318	36
163 481 319	36
163 481 320	36
163 481 322	37
163 481 323	37
163 481 324	37
163 481 325	37
163 481 326	37
163 481 327	37
163 481 328	37
163 481 329	37
163 481 330	37
163 481 331	37
163 481 375	46
163 481 376	46
163 481 377	46
163 481 378	46
163 481 379	46
163 481 380	46
163 481 381	46
163 481 382	46
163 481 383	46
163 481 385	46
163 481 386	46
163 481 387	46
163 481 388	46
163 481 389	46
163 481 390	46
163 481 391	46
163 481 392	46
163 481 393	46
163 481 400	37
163 481 401	37
163 481 402	37
163 481 403	37
163 481 404	37
163 481 405	37
163 481 406	37
163 481 451	78
163 481 452	78
163 481 453	78
163 481 454	78
163 481 455	78
163 481 456	78
163 481 457	78
163 481 576	79
163 481 577	79
163 481 578	79
163 481 582	79

Code	Page
163 481 583	79
163 481 584	79
163 481 591	78
163 481 592	78
163 481 593	78
163 481 594	78
163 481 595	78
163 481 596	78
163 481 597	78
163 481 902	56
163 481 903	56
163 481 904	56
163 481 905	56
163 481 906	56
163 481 907	56
163 481 912	56
163 481 913	56
163 481 914	56
163 481 915	56
163 481 916	56
163 481 917	56
163 481 922	56
163 481 923	56
163 481 924	56
163 481 925	56
163 481 926	56
163 481 927	56
163 481 932	56
163 481 933	56
163 481 934	56
163 481 935	56
163 481 936	56
163 481 937	56
163 481 982	56
163 481 983	56
163 481 984	56
163 481 985	56
163 481 986	56
163 481 987	56
163 481 992	56
163 481 993	56
163 481 994	56
163 481 995	56
163 481 996	56
163 481 997	56
163 482 002	57
163 482 003	57
163 482 004	57
163 482 005	57
163 482 006	57
163 482 007	57
163 482 012	57
163 482 013	57
163 482 014	57
163 482 015	57
163 482 016	57
163 482 017	57
163 543 001	48
163 543 002	48
163 543 003	48
163 543 004	48
163 543 005	48
163 543 006	48
163 543 007	48
163 543 011	48
163 543 012	48
163 543 013	48
163 543 014	48
163 543 015	48
163 543 016	48
163 543 017	48

Code	Page
163 543 021	49
163 543 022	49
163 543 023	49
163 543 024	49
163 543 025	49
163 543 026	49
163 543 027	49
163 543 031	49
163 543 032	49
163 543 033	49
163 543 034	49
163 543 035	49
163 543 036	49
163 543 037	49
163 543 041	48
163 543 042	48
163 543 043	48
163 543 044	48
163 543 045	48
163 543 046	48
163 543 047	48
163 543 051	48
163 543 052	48
163 543 053	48
163 543 054	48
163 543 055	48
163 543 056	48
163 543 057	48
163 543 201	50
163 543 202	50
163 543 203	50
163 543 204	50
163 543 205	50
163 543 206	50
163 543 207	50
163 543 211	50
163 543 212	50
163 543 213	50
163 543 214	50
163 543 215	50
163 543 216	50
163 543 217	50
163 543 221	52
163 543 222	52
163 543 223	52
163 543 224	52
163 543 225	52
163 543 226	52
163 543 227	52
163 543 231	52
163 543 232	52
163 543 233	52
163 543 234	52
163 543 235	52
163 543 236	52
163 543 237	52
163 543 241	51
163 543 242	51
163 543 243	51
163 543 244	51
163 543 245	51
163 543 246	51
163 543 247	51
163 543 251	51
163 543 252	51
163 543 253	51
163 543 254	51
163 543 255	51
163 543 256	51
163 543 257	51
163 543 381	53

Codenumber Index

Code	Page
163 543 382	53
163 543 383	53
163 543 384	53
163 543 385	53
163 543 386	53
163 543 387	53
163 543 391	53
163 543 392	53
163 543 393	53
163 543 394	53
163 543 395	53
163 543 396	53
163 543 397	53
163 543 401	54
163 543 402	54
163 543 403	54
163 543 404	54
163 543 405	54
163 543 406	54
163 543 407	54
163 543 411	54
163 543 412	54
163 543 413	54
163 543 414	54
163 543 415	54
163 543 416	54
163 543 417	54
163 546 001	20
163 546 002	20
163 546 003	20
163 546 004	20
163 546 005	20
163 546 006	20
163 546 007	20
163 546 008	20
163 546 009	20
163 546 010	20
163 546 011	20
163 546 012	20
163 546 013	20
163 546 014	20
163 546 015	20
163 546 016	20
163 546 017	20
163 546 018	20
163 546 019	20
163 546 020	20
163 546 021	23
163 546 022	23
163 546 023	23
163 546 024	23
163 546 025	23
163 546 026	23
163 546 027	23
163 546 028	23
163 546 029	23
163 546 030	23
163 546 031	23
163 546 032	23
163 546 033	23
163 546 034	23
163 546 035	23
163 546 036	23
163 546 037	23
163 546 038	23
163 546 039	23
163 546 040	23
163 546 041	21
163 546 042	21
163 546 043	21
163 546 044	21

Code	Page
163 546 045	21
163 546 046	21
163 546 047	21
163 546 048	21
163 546 049	21
163 546 050	21
163 546 051	21
163 546 052	21
163 546 053	21
163 546 054	21
163 546 055	21
163 546 056	21
163 546 057	21
163 546 058	21
163 546 059	21
163 546 060	21
163 546 061	20
163 546 062	20
163 546 063	20
163 546 064	20
163 546 065	20
163 546 066	20
163 546 067	20
163 546 068	20
163 546 069	20
163 546 070	20
163 546 071	20
163 546 072	20
163 546 073	20
163 546 074	20
163 546 075	20
163 546 076	20
163 546 077	20
163 546 078	20
163 546 079	20
163 546 080	20
163 546 081	29
163 546 082	29
163 546 083	29
163 546 084	29
163 546 085	29
163 546 086	29
163 546 087	29
163 546 088	29
163 546 089	29
163 546 090	29
163 546 091	29
163 546 092	29
163 546 093	29
163 546 094	29
163 546 095	29
163 546 096	29
163 546 097	29
163 546 098	29
163 546 099	29
163 546 100	29
163 546 108	25
163 546 109	25
163 546 110	25
163 546 118	25
163 546 119	25
163 546 120	25
163 546 168	28
163 546 169	28
163 546 170	28
163 546 178	28
163 546 179	28
163 546 180	28
163 546 301	27
163 546 302	27
163 546 303	27

Code	Page
163 546 304	27
163 546 305	27
163 546 306	27
163 546 307	27
163 546 308	27
163 546 309	27
163 546 310	27
163 546 311	27
163 546 312	27
163 546 313	27
163 546 314	27
163 546 315	27
163 546 316	27
163 546 317	27
163 546 318	27
163 546 319	27
163 546 320	27
163 546 341	26
163 546 342	26
163 546 343	26
163 546 344	26
163 546 345	26
163 546 346	26
163 546 347	26
163 546 351	26
163 546 352	26
163 546 353	26
163 546 354	26
163 546 355	26
163 546 356	26
163 546 357	26
163 546 361	30
163 546 362	30
163 546 363	30
163 546 364	30
163 546 365	30
163 546 366	30
163 546 367	30
163 546 368	30
163 546 369	30
163 546 370	30
163 546 371	30
163 546 372	30
163 546 373	30
163 546 374	30
163 546 375	30
163 546 376	30
163 546 377	30
163 546 378	30
163 546 379	30
163 546 380	30
163 546 381	22
163 546 382	22
163 546 383	22
163 546 384	22
163 546 385	22
163 546 386	22
163 546 387	22
163 546 388	22
163 546 389	22
163 546 390	22
163 546 391	22
163 546 392	22
163 546 393	22
163 546 394	22
163 546 395	22
163 546 396	22
163 546 397	22
163 546 398	22
163 546 399	22
163 546 400	22

Codenumber Index

Code	Page
163 546 401	24
163 546 402	24
163 546 403	24
163 546 404	24
163 546 405	24
163 546 406	24
163 546 407	24
163 546 408	24
163 546 409	24
163 546 410	24
163 546 411	24
163 546 412	24
163 546 413	24
163 546 414	24
163 546 415	24
163 546 416	24
163 546 417	24
163 546 418	24
163 546 419	24
163 546 420	24
163 546 601	31
163 546 602	31
163 546 603	31
163 546 604	31
163 546 605	31
163 546 606	31
163 546 607	31
163 546 608	31
163 546 609	31
163 546 610	31
163 546 611	31
163 546 612	31
163 546 613	31
163 546 614	31
163 546 615	31
163 546 616	31
163 546 617	31
163 546 618	31
163 546 619	31
163 546 620	31
163 546 692	33
163 546 693	33
163 546 694	33
163 546 695	33
163 546 696	33
163 546 697	33
163 546 698	33
163 546 699	33
163 546 700	33
163 546 842	34
163 546 843	34
163 546 844	34
163 546 845	34
163 546 846	34
163 546 847	34
163 546 852	34
163 546 853	34
163 546 854	34
163 546 855	34
163 546 856	34
163 546 857	34
163 567 002	69
163 567 003	69
163 567 004	69
163 567 005	69
163 567 006	69
163 567 007	69
163 567 008	69
163 567 022	69
163 567 023	69
163 567 024	69

Code	Page
163 567 025	69
163 567 026	69
163 567 027	69
163 567 028	69
163 567 042	69
163 567 043	69
163 567 044	69
163 567 045	69
163 567 046	69
163 567 047	69
163 567 048	69
163 567 062	69
163 567 063	69
163 567 064	69
163 567 065	69
163 567 066	69
163 567 067	69
163 567 068	69
163 567 802	70
163 567 803	70
163 567 804	70
163 567 805	70
163 567 806	70
163 567 807	70
163 567 808	70
163 567 822	70
163 567 823	70
163 567 824	70
163 567 825	70
163 567 826	70
163 567 827	70
163 567 828	70
163 568 002	71
163 568 003	71
163 568 004	71
163 568 005	71
163 568 006	71
163 568 007	71
163 568 008	71
163 568 022	71
163 568 023	71
163 568 024	71
163 568 025	71
163 568 026	71
163 568 027	71
163 568 028	71
163 568 042	72
163 568 043	72
163 568 044	72
163 568 045	72
163 568 046	72
163 568 047	72
163 568 048	72
163 568 062	72
163 568 063	72
163 568 064	72
163 568 065	72
163 568 066	72
163 568 067	72
163 568 068	72
163 568 102	74
163 568 103	74
163 568 104	74
163 568 105	74
163 568 106	74
163 568 107	74
163 568 108	74
163 568 122	74
163 568 123	74
163 568 124	74
163 568 125	74

Code	Page
163 568 126	74
163 568 127	74
163 568 128	74
163 568 142	75
163 568 143	75
163 568 144	75
163 568 145	75
163 568 146	75
163 568 147	75
163 568 148	75
163 568 162	75
163 568 163	75
163 568 164	75
163 568 165	75
163 568 166	75
163 568 167	75
163 568 168	75
163 568 802	73
163 568 803	73
163 568 804	73
163 568 805	73
163 568 806	73
163 568 807	73
163 568 808	73
163 568 822	73
163 568 823	73
163 568 824	73
163 568 825	73
163 568 826	73
163 568 827	73
163 568 828	73
163 568 902	76
163 568 903	76
163 568 904	76
163 568 905	76
163 568 906	76
163 568 907	76
163 568 908	76
163 568 922	76
163 568 923	76
163 568 924	76
163 568 925	76
163 568 926	76
163 568 927	76
163 568 928	76
167 060 019	175
167 060 020	175
167 060 021	175
167 060 022	175
167 060 023	175
167 060 024	175
167 060 025	175
167 060 038	175
167 060 039	175
167 060 040	175
167 060 041	175
167 060 042	175
167 060 043	175
167 061 003	173
167 061 004	173
167 061 012	173
167 061 013	173
167 061 014	173
167 061 015	173
167 061 016	173
167 061 017	173
167 061 035	175
167 061 036	175
167 061 037	175
167 061 038	175
167 061 039	175

Codenumber Index

Code	Page
167 061 040	175
167 061 041	175
167 061 153	173
167 061 155	173
167 061 156	173
167 061 157	173
167 061 158	173
167 061 159	173
167 061 160	173
167 061 161	173
167 061 162	173
167 061 163	173
167 061 164	173
167 061 165	173
167 061 166	173
167 061 167	173
167 480 024	66
167 480 025	66
167 480 026	66
167 480 027	66
167 480 028	66
167 480 029	66
167 481 165	66
167 481 166	66
167 481 167	66
167 481 168	66
167 481 169	66
167 481 170	66
167 481 943	60
167 481 944	60
167 481 945	60
167 481 946	60
167 482 479	58
167 482 480	58
167 482 481	58
167 482 482	58
167 482 626	39
167 482 627	39
167 482 628	39
167 482 629	39
167 482 630	39
167 482 631	39
167 482 635	40
167 482 636	40
167 482 637	40
167 482 638	40
167 482 639	40
167 482 640	40
167 482 653	41
167 482 654	41
167 482 655	41
167 482 656	41
167 482 657	41
167 482 658	41
167 482 662	41
167 482 663	41
167 482 664	41
167 482 665	41
167 482 666	41
167 482 667	41
167 482 671	40
167 482 672	40
167 482 673	40
167 482 674	40
167 482 675	40
167 482 676	40
167 482 680	39
167 482 681	39
167 482 682	39
167 482 683	39
167 482 684	39

Code	Page
167 482 685	39
167 483 251	79
167 483 252	79
167 483 253	79
167 483 254	79
167 484 065	38
167 484 066	38
167 484 067	38
167 484 068	38
167 484 069	38
167 484 070	38
167 484 071	38
167 484 072	38
167 484 073	38
167 484 076	46
167 484 077	46
167 484 078	46
167 484 079	46
167 484 080	46
167 484 081	46
167 484 082	46
167 484 083	46
167 484 084	46
167 484 088	46
167 484 089	46
167 484 090	46
167 484 091	46
167 484 092	46
167 484 093	46
167 484 094	46
167 484 095	46
167 484 096	46
167 484 100	46
167 484 101	46
167 484 102	46
167 484 103	46
167 484 104	46
167 484 105	46
167 484 110	44
167 484 111	44
167 484 442	57
167 484 443	57
167 484 444	57
167 484 445	57
167 484 446	57
167 484 447	57
167 484 488	57
167 484 489	57
167 484 490	57
167 484 491	57
167 484 492	57
167 484 493	57
167 484 542	57
167 484 543	57
167 484 544	57
167 484 545	57
167 484 546	57
167 484 547	57
167 484 588	57
167 484 589	57
167 484 590	57
167 484 591	57
167 484 592	57
167 484 593	57
167 484 941	58
167 484 942	58
167 484 943	58
167 484 944	58
173 061 003	174
173 061 004	174
173 061 005	174

Code	Page
173 061 006	174
173 061 007	174
173 061 008	174
173 061 009	174
173 061 010	174
173 061 011	174
173 061 012	174
173 061 013	174
173 061 014	174
173 061 015	174
173 061 016	174
173 061 017	174
173 061 153	174
173 061 155	174
173 061 156	174
173 061 157	174
173 061 158	174
173 061 159	174
173 061 160	174
173 061 161	174
173 061 162	174
173 061 163	174
173 061 164	174
173 061 165	174
173 061 166	174
173 061 167	174
175 480 153	66
175 480 154	66
175 480 155	66
175 480 156	66
175 480 157	66
175 480 158	66
199 024 121	136
199 024 122	136
199 024 123	136
199 024 124	136
199 024 125	136
199 024 126	136
199 024 151	136
199 024 152	136
199 024 153	136
199 024 154	136
199 024 155	136
199 024 156	136
199 025 631	140
199 025 632	140
199 025 633	140
199 025 634	140
199 025 635	140
199 025 636	140
199 025 641	142
199 025 642	142
199 025 643	142
199 025 644	142
199 025 645	142
199 025 646	142
199 025 651	145
199 025 652	145
199 025 653	145
199 025 654	145
199 025 655	145
199 025 656	145
199 025 661	140
199 025 662	140
199 025 663	140
199 025 664	140
199 025 665	140
199 025 666	140
199 025 671	142
199 025 672	142
199 025 673	142

Codenumber Index

Code	Page
199 025 674	142
199 025 675	142
199 025 676	142
199 025 681	145
199 025 682	145
199 025 683	145
199 025 684	145
199 025 685	145
199 025 686	145
199 025 691	141
199 025 692	141
199 025 693	141
199 025 694	141
199 025 695	141
199 025 696	141
199 025 697	139
199 025 698	139
199 025 699	139
199 025 701	143
199 025 702	143
199 025 703	143
199 025 704	143
199 025 705	143
199 025 706	143
199 025 707	144
199 025 708	144
199 025 709	144
199 025 711	146
199 025 712	146
199 025 713	146
199 025 714	146
199 025 715	146
199 025 716	146
199 025 717	147
199 025 718	147
199 025 719	147
199 025 721	141
199 025 722	141
199 025 723	141
199 025 724	141
199 025 725	141
199 025 726	141
199 025 727	139
199 025 728	139
199 025 729	139
199 025 731	143
199 025 732	143
199 025 733	143
199 025 734	143
199 025 735	143
199 025 736	143
199 025 737	144
199 025 738	144
199 025 739	144
199 025 741	146
199 025 742	146
199 025 743	146
199 025 744	146
199 025 745	146
199 025 746	146
199 025 747	147
199 025 748	147
199 025 749	147
199 028 631	136
199 028 632	136
199 028 633	136
199 028 634	136
199 028 635	136
199 028 636	136
199 028 661	136
199 028 662	136

Code	Page
199 028 663	136
199 028 664	136
199 028 665	136
199 028 666	136
199 028 691	137
199 028 692	137
199 028 693	137
199 028 694	137
199 028 695	137
199 028 696	137
199 028 721	137
199 028 722	137
199 028 723	137
199 028 724	137
199 028 725	137
199 028 726	137
199 107 102	85
199 107 103	85
199 107 104	85
199 107 105	85
199 107 106	85
199 107 107	85
199 107 108	85
199 107 112	85
199 107 113	85
199 107 114	85
199 107 115	85
199 107 116	85
199 107 117	85
199 107 118	85
199 107 122	86
199 107 123	86
199 107 124	86
199 107 125	86
199 107 126	86
199 107 127	86
199 107 128	86
199 107 132	86
199 107 133	86
199 107 134	86
199 107 135	86
199 107 136	86
199 107 137	86
199 107 138	86
199 107 142	85
199 107 143	85
199 107 144	85
199 107 145	85
199 107 146	85
199 107 147	85
199 107 148	85
199 107 152	85
199 107 153	85
199 107 154	85
199 107 155	85
199 107 156	85
199 107 157	85
199 107 158	85
199 107 162	88
199 107 163	88
199 107 164	88
199 107 165	88
199 107 166	88
199 107 167	88
199 107 168	88
199 107 172	88
199 107 173	88
199 107 174	88
199 107 175	88
199 107 176	88
199 107 177	88

Code	Page
199 107 178	88
199 107 702	88
199 107 703	88
199 107 704	88
199 107 705	88
199 107 706	88
199 107 707	88
199 107 708	88
199 107 712	88
199 107 713	88
199 107 714	88
199 107 715	88
199 107 716	88
199 107 717	88
199 107 718	88
199 107 742	89
199 107 743	89
199 107 744	89
199 107 745	89
199 107 746	89
199 107 747	89
199 107 748	89
199 107 752	89
199 107 753	89
199 107 754	89
199 107 755	89
199 107 756	89
199 107 757	89
199 107 758	89
199 130 182	93
199 130 183	93
199 130 184	93
199 130 185	93
199 130 186	93
199 130 187	93
199 130 188	93
199 130 189	93
199 130 190	93
199 130 191	93
199 130 192	93
199 130 193	93
199 130 194	93
199 130 195	93
199 130 196	93
199 130 197	93
199 130 198	93
199 130 199	93
199 130 200	93
199 130 201	93
199 130 202	94
199 130 203	94
199 130 204	94
199 130 205	94
199 130 206	94
199 130 207	94
199 130 208	94
199 130 209	94
199 130 210	94
199 130 211	94
199 130 212	94
199 130 213	94
199 130 214	94
199 130 215	94
199 130 216	94
199 130 217	94
199 130 218	94
199 130 219	94
199 130 220	94
199 130 221	94
199 130 402	89
199 130 403	89

Codenumber Index

Code	Page
199 130 404	89
199 130 405	89
199 130 406	89
199 130 407	89
199 130 408	89
199 130 409	89
199 130 410	89
199 130 411	89
199 130 412	89
199 130 413	89
199 130 414	89
199 130 415	89
199 130 416	89
199 130 417	89
199 130 418	89
199 130 419	89
199 130 420	89
199 130 421	89
199 130 422	91
199 130 423	91
199 130 424	91
199 130 425	91
199 130 426	91
199 130 427	91
199 130 428	91
199 130 429	91
199 130 430	91
199 130 431	91
199 130 432	91
199 130 433	91
199 130 434	91
199 130 435	91
199 130 436	91
199 130 437	91
199 130 438	91
199 130 439	91
199 130 440	91
199 130 441	91
199 130 442	90
199 130 443	90
199 130 444	90
199 130 445	90
199 130 446	90
199 130 447	90
199 130 448	90
199 130 449	90
199 130 450	90
199 130 451	90
199 130 452	90
199 130 453	90
199 130 454	90
199 130 455	90
199 130 456	90
199 130 457	90
199 130 458	90
199 130 459	90
199 130 460	90
199 130 461	90
199 130 462	92
199 130 463	92
199 130 464	92
199 130 465	92
199 130 466	92
199 130 467	92
199 130 468	92
199 130 469	92
199 130 470	92
199 130 471	92
199 130 472	92
199 130 473	92
199 130 474	92

Code	Page
199 130 475	92
199 130 476	92
199 130 477	92
199 130 478	92
199 130 479	92
199 130 480	92
199 130 481	92
199 134 489	95
199 134 490	95
199 134 491	95
199 134 499	95
199 134 500	95
199 134 501	95
199 134 509	96
199 134 510	96
199 134 511	96
199 134 519	96
199 134 520	96
199 134 521	96
199 140 162	148
199 140 163	148
199 140 164	148
199 140 165	148
199 140 166	148
199 140 167	148
199 140 168	148
199 140 182	148
199 140 183	148
199 140 184	148
199 140 185	148
199 140 186	148
199 140 187	148
199 140 188	148
199 140 202	148
199 140 203	148
199 140 204	148
199 140 205	148
199 140 206	148
199 140 207	148
199 140 208	148
199 140 222	148
199 140 223	148
199 140 224	148
199 140 225	148
199 140 226	148
199 140 227	148
199 140 228	148
199 140 242	150
199 140 243	150
199 140 244	150
199 140 245	150
199 140 246	150
199 140 247	150
199 140 248	150
199 140 262	150
199 140 263	150
199 140 264	150
199 140 265	150
199 140 266	150
199 140 267	150
199 140 268	150
199 140 282	149
199 140 283	149
199 140 284	149
199 140 285	149
199 140 286	149
199 140 287	149
199 140 288	149
199 140 302	149
199 140 303	149
199 140 304	149

Code	Page
199 140 305	149
199 140 306	149
199 140 307	149
199 140 308	149
199 141 162	152
199 141 163	152
199 141 164	152
199 141 165	152
199 141 166	152
199 141 167	152
199 141 168	152
199 141 182	152
199 141 183	152
199 141 184	152
199 141 185	152
199 141 186	152
199 141 187	152
199 141 188	152
199 141 202	151
199 141 203	151
199 141 204	151
199 141 205	151
199 141 206	151
199 141 207	151
199 141 208	151
199 141 222	151
199 141 223	151
199 141 224	151
199 141 225	151
199 141 226	151
199 141 227	151
199 141 228	151
199 141 242	154
199 141 243	154
199 141 244	154
199 141 245	154
199 141 246	154
199 141 247	154
199 141 248	154
199 141 262	154
199 141 263	154
199 141 264	154
199 141 265	154
199 141 266	154
199 141 267	154
199 141 268	154
199 141 282	153
199 141 283	153
199 141 284	153
199 141 285	153
199 141 286	153
199 141 287	153
199 141 288	153
199 141 302	153
199 141 303	153
199 141 304	153
199 141 305	153
199 141 306	153
199 141 307	153
199 141 308	153
199 142 162	156
199 142 163	156
199 142 164	156
199 142 165	156
199 142 166	156
199 142 167	156
199 142 168	156
199 142 182	156
199 142 183	156
199 142 184	156
199 142 185	156

Codenumber Index

Code	Page
199 142 186	156
199 142 187	156
199 142 188	156
199 142 202	155
199 142 203	155
199 142 204	155
199 142 205	155
199 142 206	155
199 142 207	155
199 142 208	155
199 142 222	155
199 142 223	155
199 142 224	155
199 142 225	155
199 142 226	155
199 142 227	155
199 142 228	155
199 142 242	158
199 142 243	158
199 142 244	158
199 142 245	158
199 142 246	158
199 142 247	158
199 142 248	158
199 142 262	158
199 142 263	158
199 142 264	158
199 142 265	158
199 142 266	158
199 142 267	158
199 142 268	158
199 142 282	157
199 142 283	157
199 142 284	157
199 142 285	157
199 142 286	157
199 142 287	157
199 142 288	157
199 142 302	157
199 142 303	157
199 142 304	157
199 142 305	157
199 142 306	157
199 142 307	157
199 142 308	157
199 185 082	100
199 185 083	100
199 185 084	100
199 185 085	100
199 185 086	100
199 185 087	100
199 185 088	100
199 185 092	100
199 185 093	100
199 185 094	100
199 185 095	100
199 185 096	100
199 185 097	100
199 185 098	100
199 185 102	100
199 185 103	100
199 185 104	100
199 185 105	100
199 185 106	100
199 185 107	100
199 185 108	100
199 185 112	100
199 185 113	100
199 185 114	100
199 185 115	100
199 185 116	100

Code	Page
199 185 117	100
199 185 118	100
199 185 122	102
199 185 123	102
199 185 124	102
199 185 125	102
199 185 126	102
199 185 127	102
199 185 128	102
199 185 132	102
199 185 133	102
199 185 134	102
199 185 135	102
199 185 136	102
199 185 137	102
199 185 138	102
199 185 142	101
199 185 143	101
199 185 144	101
199 185 145	101
199 185 146	101
199 185 147	101
199 185 148	101
199 185 152	101
199 185 153	101
199 185 154	101
199 185 155	101
199 185 156	101
199 185 157	101
199 185 158	101
199 185 262	103
199 185 263	103
199 185 264	103
199 185 265	103
199 185 266	103
199 185 267	103
199 185 268	103
199 185 272	103
199 185 273	103
199 185 274	103
199 185 275	103
199 185 276	103
199 185 277	103
199 185 278	103
199 185 282	104
199 185 283	104
199 185 284	104
199 185 285	104
199 185 286	104
199 185 287	104
199 185 288	104
199 185 292	104
199 185 293	104
199 185 294	104
199 185 295	104
199 185 296	104
199 185 297	104
199 185 298	104
199 185 302	106
199 185 303	106
199 185 304	106
199 185 305	106
199 185 306	106
199 185 307	106
199 185 308	106
199 185 312	106
199 185 313	106
199 185 314	106
199 185 315	106
199 185 316	106
199 185 317	106

Code	Page
199 185 318	106
199 185 322	105
199 185 323	105
199 185 324	105
199 185 325	105
199 185 326	105
199 185 327	105
199 185 328	105
199 185 332	105
199 185 333	105
199 185 334	105
199 185 335	105
199 185 336	105
199 185 337	105
199 185 338	105
199 230 402	108
199 230 403	108
199 230 404	108
199 230 405	108
199 230 406	108
199 230 407	108
199 230 408	108
199 230 412	108
199 230 413	108
199 230 414	108
199 230 415	108
199 230 416	108
199 230 417	108
199 230 418	108
199 230 422	111
199 230 423	111
199 230 424	111
199 230 425	111
199 230 426	111
199 230 427	111
199 230 428	111
199 230 432	111
199 230 433	111
199 230 434	111
199 230 435	111
199 230 436	111
199 230 437	111
199 230 438	111
199 230 442	109
199 230 443	109
199 230 444	109
199 230 445	109
199 230 446	109
199 230 447	109
199 230 448	109
199 230 452	109
199 230 453	109
199 230 454	109
199 230 455	109
199 230 456	109
199 230 457	109
199 230 458	109
199 230 462	112
199 230 463	112
199 230 464	112
199 230 465	112
199 230 466	112
199 230 467	112
199 230 468	112
199 230 472	112
199 230 473	112
199 230 474	112
199 230 475	112
199 230 476	112
199 230 477	112
199 230 478	112

Codenumber Index

Code	Page
199 230 482	110
199 230 483	110
199 230 484	110
199 230 485	110
199 230 486	110
199 230 487	110
199 230 488	110
199 230 492	110
199 230 493	110
199 230 494	110
199 230 495	110
199 230 496	110
199 230 497	110
199 230 498	110
199 230 502	113
199 230 503	113
199 230 504	113
199 230 505	113
199 230 506	113
199 230 507	113
199 230 508	113
199 230 512	113
199 230 513	113
199 230 514	113
199 230 515	113
199 230 516	113
199 230 517	113
199 230 518	113
199 230 522	117
199 230 523	117
199 230 524	117
199 230 525	117
199 230 526	117
199 230 527	117
199 230 528	117
199 230 529	117
199 230 530	117
199 230 531	117
199 230 532	117
199 230 533	117
199 230 534	117
199 230 535	117
199 230 536	117
199 230 537	117
199 230 538	117
199 230 539	117
199 230 540	117
199 230 541	117
199 230 542	120
199 230 543	120
199 230 544	120
199 230 545	120
199 230 546	120
199 230 547	120
199 230 548	120
199 230 549	120
199 230 550	120
199 230 551	120
199 230 552	120
199 230 553	120
199 230 554	120
199 230 555	120
199 230 556	120
199 230 557	120
199 230 558	120
199 230 559	120
199 230 560	120
199 230 561	120
199 230 562	118
199 230 563	118
199 230 564	118

Code	Page
199 230 565	118
199 230 566	118
199 230 567	118
199 230 568	118
199 230 569	118
199 230 570	118
199 230 571	118
199 230 572	118
199 230 573	118
199 230 574	118
199 230 575	118
199 230 576	118
199 230 577	118
199 230 578	118
199 230 579	118
199 230 580	118
199 230 581	118
199 230 582	121
199 230 583	121
199 230 584	121
199 230 585	121
199 230 586	121
199 230 587	121
199 230 588	121
199 230 589	121
199 230 590	121
199 230 591	121
199 230 592	121
199 230 593	121
199 230 594	121
199 230 595	121
199 230 596	121
199 230 597	121
199 230 598	121
199 230 599	121
199 230 600	121
199 230 601	121
199 230 602	119
199 230 603	119
199 230 604	119
199 230 605	119
199 230 606	119
199 230 607	119
199 230 608	119
199 230 609	119
199 230 610	119
199 230 611	119
199 230 612	119
199 230 613	119
199 230 614	119
199 230 615	119
199 230 616	119
199 230 617	119
199 230 618	119
199 230 619	119
199 230 620	119
199 230 621	119
199 230 622	122
199 230 623	122
199 230 624	122
199 230 625	122
199 230 626	122
199 230 627	122
199 230 628	122
199 230 629	122
199 230 630	122
199 230 631	122
199 230 632	122
199 230 633	122
199 230 634	122
199 230 635	122

Code	Page
199 230 636	122
199 230 637	122
199 230 638	122
199 230 639	122
199 230 640	122
199 230 641	122
199 230 752	114
199 230 753	114
199 230 754	114
199 230 755	114
199 230 756	114
199 230 757	114
199 230 758	114
199 230 772	114
199 230 773	114
199 230 774	114
199 230 775	114
199 230 776	114
199 230 777	114
199 230 778	114
199 230 792	115
199 230 793	115
199 230 794	115
199 230 795	115
199 230 796	115
199 230 797	115
199 230 798	115
199 230 812	115
199 230 813	115
199 230 814	115
199 230 815	115
199 230 816	115
199 230 817	115
199 230 818	115
199 230 832	116
199 230 833	116
199 230 834	116
199 230 835	116
199 230 836	116
199 230 837	116
199 230 838	116
199 230 852	116
199 230 853	116
199 230 854	116
199 230 855	116
199 230 856	116
199 230 857	116
199 230 858	116
199 230 872	123
199 230 873	123
199 230 874	123
199 230 875	123
199 230 876	123
199 230 877	123
199 230 878	123
199 230 879	123
199 230 880	123
199 230 881	123
199 230 892	123
199 230 893	123
199 230 894	123
199 230 895	123
199 230 896	123
199 230 897	123
199 230 898	123
199 230 899	123
199 230 900	123
199 230 901	123
199 230 912	124
199 230 913	124
199 230 914	124

Codenumber Index

Code	Page
199 230 915	124
199 230 916	124
199 230 917	124
199 230 918	124
199 230 919	124
199 230 920	124
199 230 921	124
199 230 932	124
199 230 933	124
199 230 934	124
199 230 935	124
199 230 936	124
199 230 937	124
199 230 938	124
199 230 939	124
199 230 940	124
199 230 941	124
199 230 942	125
199 230 943	125
199 230 944	125
199 230 945	125
199 230 946	125
199 230 947	125
199 230 948	125
199 230 949	125
199 230 950	125
199 230 951	125
199 230 952	125
199 230 953	125
199 230 954	125
199 230 955	125
199 230 956	125
199 230 957	125
199 230 958	125
199 230 959	125
199 230 960	125
199 230 961	125
199 234 609	126
199 234 610	126
199 234 611	126
199 234 619	126
199 234 620	126
199 234 621	126
199 234 629	127
199 234 630	127
199 234 631	127
199 234 639	127
199 234 640	127
199 234 641	127
199 234 649	128
199 234 650	128
199 234 651	128
199 234 659	128
199 234 660	128
199 234 661	128
199 240 162	160
199 240 163	160
199 240 164	160
199 240 165	160
199 240 166	160
199 240 167	160
199 240 168	160
199 240 182	160
199 240 183	160
199 240 184	160
199 240 185	160
199 240 186	160
199 240 187	160
199 240 188	160
199 240 202	160
199 240 203	160

Code	Page
199 240 204	160
199 240 205	160
199 240 206	160
199 240 207	160
199 240 208	160
199 240 222	160
199 240 223	160
199 240 224	160
199 240 225	160
199 240 226	160
199 240 227	160
199 240 228	160
199 240 242	161
199 240 243	161
199 240 244	161
199 240 245	161
199 240 246	161
199 240 247	161
199 240 248	161
199 240 262	161
199 240 263	161
199 240 264	161
199 240 265	161
199 240 266	161
199 240 267	161
199 240 268	161
199 241 162	162
199 241 163	162
199 241 164	162
199 241 165	162
199 241 166	162
199 241 167	162
199 241 168	162
199 241 182	162
199 241 183	162
199 241 184	162
199 241 185	162
199 241 186	162
199 241 187	162
199 241 188	162
199 241 202	163
199 241 203	163
199 241 204	163
199 241 205	163
199 241 206	163
199 241 207	163
199 241 208	163
199 241 222	163
199 241 223	163
199 241 224	163
199 241 225	163
199 241 226	163
199 241 227	163
199 241 228	163
199 241 242	164
199 241 243	164
199 241 244	164
199 241 245	164
199 241 246	164
199 241 247	164
199 241 248	164
199 241 262	164
199 241 263	164
199 241 264	164
199 241 265	164
199 241 266	164
199 241 267	164
199 241 268	164
199 242 162	165
199 242 163	165
199 242 164	165

Code	Page
199 242 165	165
199 242 166	165
199 242 167	165
199 242 168	165
199 242 182	165
199 242 183	165
199 242 184	165
199 242 185	165
199 242 186	165
199 242 187	165
199 242 188	165
199 242 202	166
199 242 203	166
199 242 204	166
199 242 205	166
199 242 206	166
199 242 207	166
199 242 208	166
199 242 222	166
199 242 223	166
199 242 224	166
199 242 225	166
199 242 226	166
199 242 227	166
199 242 228	166
199 242 242	167
199 242 243	167
199 242 244	167
199 242 245	167
199 242 246	167
199 242 247	167
199 242 248	167
199 242 262	167
199 242 263	167
199 242 264	167
199 242 265	167
199 242 266	167
199 242 267	167
199 242 268	167
199 285 102	132
199 285 103	132
199 285 104	132
199 285 105	132
199 285 106	132
199 285 107	132
199 285 108	132
199 285 112	132
199 285 113	132
199 285 114	132
199 285 115	132
199 285 116	132
199 285 117	132
199 285 118	132
199 285 142	133
199 285 143	133
199 285 144	133
199 285 145	133
199 285 146	133
199 285 147	133
199 285 148	133
199 285 152	133
199 285 153	133
199 285 154	133
199 285 155	133
199 285 156	133
199 285 157	133
199 285 158	133
199 285 282	132
199 285 283	132
199 285 284	132
199 285 285	132

Codenumber Index

Code	Page
199 285 286	132
199 285 287	132
199 285 288	132
199 285 292	132
199 285 293	132
199 285 294	132
199 285 295	132
199 285 296	132
199 285 297	132
199 285 298	132
199 285 322	134
199 285 323	134
199 285 324	134
199 285 325	134
199 285 326	134
199 285 327	134
199 285 328	134
199 285 332	134
199 285 333	134
199 285 334	134
199 285 335	134
199 285 336	134
199 285 337	134
199 285 338	134
723 000 106	6
723 000 107	6
723 000 108	6
723 000 109	6
723 000 110	6
723 000 111	6
723 000 112	6
723 000 113	6
723 000 114	6
723 000 117	6
723 010 120	6
723 100 105	6
723 100 106	6
723 100 107	6
723 100 108	6
723 100 109	6
723 100 110	6
723 100 111	6
723 100 112	6
723 100 113	6
723 100 114	6
723 100 117	6
723 100 206	11
723 100 207	11
723 100 208	11
723 100 209	11
723 100 210	11
723 100 211	11
723 150 105	7
723 150 106	7
723 150 107	7
723 150 108	7
723 150 109	7
723 150 110	7
723 150 111	7
723 150 112	7
723 150 113	7
723 150 114	7
723 150 117	7
723 150 120	7
723 200 009	8
723 200 010	8
723 200 011	8
723 200 105	7
723 200 106	7
723 200 107	7
723 200 108	7

Code	Page
723 200 109	7
723 200 110	7
723 200 111	7
723 200 112	7
723 200 113	7
723 200 114	7
723 200 117	7
723 200 120	7
723 200 134	8
723 200 135	8
723 200 137	8
723 200 138	8
723 200 142	8
723 200 145	8
723 200 147	8
723 200 151	8
723 200 164	8
723 200 170	8
723 200 178	8
723 200 184	8
723 250 106	7
723 250 107	7
723 250 108	7
723 250 109	7
723 250 110	7
723 250 111	7
723 250 112	7
723 250 113	7
723 250 114	7
723 300 108	8
723 300 111	8
723 310 006	12
723 310 007	12
723 310 008	12
723 310 009	12
723 310 010	12
723 310 011	12
723 310 036	12
723 310 037	12
723 310 038	12
723 310 039	12
723 310 040	12
723 310 041	12
723 510 105	13
723 510 106	13
723 510 107	13
723 510 108	13
723 510 109	13
723 510 110	13
723 510 111	13
723 510 112	13
723 510 113	13
723 510 114	13
723 510 130	13
723 510 131	13
723 510 132	13
723 510 133	13
723 510 134	13
723 510 135	13
723 510 136	13
723 510 137	13
723 510 138	13
723 510 139	13
723 510 205	13
723 510 206	13
723 510 207	13
723 510 208	13
723 510 209	13
723 510 210	13
723 510 211	13
723 510 230	13

Code	Page
723 510 231	13
723 510 232	13
723 510 233	13
723 510 234	13
723 510 235	13
723 510 236	13
723 514 105	13
723 514 106	13
723 514 107	13
723 514 108	13
723 514 109	13
723 514 110	13
723 514 111	13
723 514 130	13
723 514 131	13
723 514 132	13
723 514 133	13
723 514 134	13
723 514 135	13
723 514 136	13
723 530 306	15
723 530 307	15
723 530 308	15
723 530 309	15
723 530 310	15
723 530 311	15
723 530 806	15
723 530 807	15
723 530 808	15
723 530 809	15
723 530 810	15
723 530 811	15
723 540 205	13
723 540 206	13
723 540 207	13
723 540 208	13
723 540 209	13
723 540 210	13
723 540 211	13
723 540 230	13
723 540 231	13
723 540 232	13
723 540 233	13
723 540 234	13
723 540 235	13
723 540 236	13
723 540 705	14
723 540 706	14
723 540 707	14
723 540 708	14
723 540 709	14
723 540 710	14
723 540 711	14
723 540 730	14
723 540 731	14
723 540 732	14
723 540 733	14
723 540 734	14
723 540 735	14
723 540 736	14
723 545 505	14
723 545 506	14
723 545 507	14
723 545 508	14
723 545 509	14
723 545 510	14
723 545 511	14
723 545 530	14
723 545 531	14
723 545 532	14
723 545 533	14

Codenumber Index

Code	Page
723 545 534	14
723 545 535	14
723 545 536	14
723 550 306	16
723 550 307	16
723 550 308	16
723 550 309	16
723 550 310	16
723 550 311	16
723 550 806	16
723 550 807	16
723 550 808	16
723 550 809	16
723 550 810	16
723 550 811	16
723 600 105	16
723 600 106	16
723 600 107	16
723 600 108	16
723 600 109	16
723 600 110	16
723 600 111	16
723 600 162	16
723 600 163	16
723 600 164	16
723 602 005	17
723 602 006	17
723 602 007	17
723 602 008	17
723 602 009	17
723 602 010	17
723 602 011	17
723 640 105	17
723 640 106	17
723 640 107	17
723 640 108	17
723 640 109	17
723 640 110	17
723 640 111	17
723 640 112	17
723 640 113	17
723 640 114	17
723 640 605	17
723 640 606	17
723 640 607	17
723 640 608	17
723 640 609	17
723 640 610	17
723 640 611	17
723 690 005	18
723 690 006	18
723 690 007	18
723 690 008	18
723 690 009	18
723 690 010	18
723 690 011	18
723 690 012	18
723 690 013	18
723 690 014	18
723 790 106	19
723 790 107	19
723 790 108	19
723 790 109	19
723 790 110	19
723 790 111	19
723 790 112	19
723 790 113	19
723 790 114	19
723 790 117	19
723 790 119	19
723 790 120	19

Code	Page
723 810 117	19
723 810 120	19
723 900 334	9
723 900 337	9
723 900 341	9
723 900 342	9
723 900 346	9
723 900 347	9
723 900 348	9
723 900 352	9
723 900 353	9
723 900 354	9
723 900 355	9
723 900 358	9
723 900 359	9
723 900 360	9
723 900 364	9
723 900 365	9
723 900 370	9
723 900 371	9
723 900 372	9
723 900 376	9
723 900 378	9
723 900 390	9
723 900 396	9
723 910 105	9
723 910 106	9
723 910 107	9
723 910 108	9
723 910 109	9
723 910 110	9
723 910 111	9
723 910 112	9
723 910 113	9
723 910 114	9
723 910 117	9
723 910 120	9
723 910 206	11
723 910 207	11
723 910 208	11
723 910 209	11
723 910 210	11
723 910 211	11
723 910 342	10
723 910 347	10
723 910 354	10
723 910 360	10
723 910 366	10
723 910 371	10
723 910 434	11
723 910 437	11
723 910 441	11
723 910 446	11
723 910 452	11
723 910 458	11
723 910 505	12
723 910 556	12
723 910 557	12
723 910 558	12
723 910 559	12
723 910 560	12
723 910 561	12
723 960 105	10
723 960 106	10
723 960 107	10
723 960 108	10
723 960 109	10
723 960 110	10
723 960 111	10
723 960 112	10
723 960 113	10

Code	Page
723 960 114	10
723 960 117	10
723 960 405	10
723 960 406	10
723 960 407	10
723 960 408	10
727 700 021	169
727 700 206	169
727 700 207	169
727 700 208	169
727 700 209	169
727 700 210	169
727 700 211	169
727 700 212	169
727 700 213	169
727 700 214	169
727 700 215	169
727 700 216	169
727 700 217	170
727 700 219	169
727 700 220	169
727 700 221	169
727 700 222	169
727 700 223	169
727 700 224	169
727 700 225	169
727 700 406	169
727 700 407	169
727 700 408	169
727 700 409	169
727 700 410	169
727 700 411	169
727 700 412	169
727 700 413	169
727 700 414	169
727 700 416	169
727 700 417	169
727 700 419	169
727 700 420	169
727 701 206	170
727 701 207	170
727 701 208	170
727 701 209	170
727 701 210	170
727 701 211	170
727 701 212	170
727 701 213	170
727 701 214	170
727 701 220	170
727 701 406	169
727 701 407	169
727 701 408	169
727 701 409	169
727 701 410	169
727 701 411	169
727 701 412	169
727 701 413	169
727 701 414	169
748 400 305	171
748 400 306	171
748 400 307	171
748 400 308	171
748 400 309	171
748 400 310	171
748 400 311	171
748 400 312	171
748 400 313	171
748 400 314	171
748 400 315	171
748 400 316	171
748 400 317	171

Codenumber Index

Code	Page
748 400 319	171
748 400 320	171
748 410 000	171
748 410 001	171
748 410 002	171
748 410 003	171
748 410 004	171
748 410 005	171
748 410 006	171
748 410 007	171
748 410 008	171
748 410 009	171
748 410 010	171
748 410 011	171
748 410 012	171
748 410 013	171
748 410 014	171
748 410 015	171
748 410 016	171
748 410 017	171
748 410 018	171
748 410 019	171
748 410 022	171
748 410 023	47
748 410 027	67
748 410 042	67
748 410 059	57
748 410 062	57
748 410 099	67
748 410 103	67
748 410 106	57
748 410 116	67
748 410 119	47
748 410 151	57
748 410 163	171
748 410 173	171
748 410 174	171
748 410 182	171
748 410 212	64
748 410 231	57
748 410 254	47
748 440 705	172
748 440 706	172
748 440 707	172
748 440 708	172
748 440 709	172
748 440 710	172
748 440 711	172
748 440 712	172
748 440 713	172
748 440 714	172
748 440 715	172
748 440 716	172
748 440 717	172
748 440 719	172
748 440 720	172
749 410 000	171
749 410 001	171
749 410 002	171
749 410 003	171
749 410 004	171
749 410 005	171
749 410 006	171
749 410 007	171
749 410 008	171
749 410 009	171
749 410 010	171
749 410 011	171
749 410 012	171
749 410 013	171
749 410 014	171

Code	Page
749 410 015	171
749 410 016	171
749 410 017	171
749 410 018	171
749 410 019	171
749 410 022	171
749 410 023	47
749 410 027	67
749 410 042	67
749 410 059	57
749 410 062	57
749 410 099	67
749 410 103	67
749 410 106	57
749 410 116	67
749 410 119	47
749 410 151	57
749 410 163	171
749 410 173	171
749 410 174	171
749 410 182	171
749 410 231	57
749 410 254	47
749 440 705	172
749 440 706	172
749 440 707	172
749 440 708	172
749 440 709	172
749 440 710	172
749 440 711	172
749 440 712	172
749 440 713	172
749 440 714	172
749 440 715	172
749 440 716	172
749 440 717	172
749 440 719	172
749 440 720	172
790 109 001	176
790 109 002	176
790 109 003	176
799 298 010	176
799 298 012	176
799 298 013	176
799 298 027	176
799 298 028	176
799 299 001	176
799 299 002	176
799 299 003	177
799 299 004	177
799 299 005	177
799 495 145	176
799 495 146	176
800 000 621	32
800 000 622	32
800 000 623	32
800 000 624	32
800 000 625	32
800 000 626	32
800 000 627	32
800 000 628	32
800 000 629	32
800 000 630	32
800 000 631	32
800 000 632	32
800 000 633	32
800 000 634	32
800 000 635	32
800 000 636	32
800 000 637	32
800 000 638	32

Code	Page
800 000 639	32
800 000 640	32

General Condition of Supply of Georg Fischer Piping Systems Limited, Schaffhausen

1 General

- 1.1 These General Conditions shall apply to all Products supplied by Georg Fischer to the Purchaser. They shall also apply to all future business even when no express reference is made to them.
- 1.2 Any deviating or supplementary conditions especially Purchaser's general conditions of purchase and verbal agreements shall only be applicable if accepted in writing by Georg Fischer.
- 1.3 The written form shall be deemed to be fulfilled by all forms of transmission, evidenced in the form of text, such as telefax, e-mail, etc.

2 Tenders

- 2.1 Tenders shall only be binding if they contain a specifically stated period for acceptance.

3 Scope of Delivery

- 3.1 Georg Fischer's product range is subject to change.
- 3.2 The confirmation of order shall govern the scope and execution of the contract.

4 Data and Documents

- 4.1 Technical documents such as drawings, descriptions, illustrations and data on dimensions, performance and weight as well as the reference to standards are for information purposes only. They are not warranted characteristics and are subject to change.
- 4.2 All technical documents shall remain the exclusive property of Georg Fischer and may only be used for the agreed purposes or as Georg Fischer may consent.

5 Confidentiality, Protection of Personal Data

- 5.1 Each party shall keep in strict confidence all commercial or technical information relating to the business of the other party, of which it has gained knowledge in the course of its dealing with the other party. Such information shall neither be disclosed to third parties nor used for other purposes than those for which the information has been supplied.
- 5.2 In the context of the contractual relation with the Purchaser personal data may be processed. The Purchaser agrees to the disclosure of said data to third parties such as foreign subcontractors and suppliers etc.

6 Local Laws and Regulations, Export Controls

- 6.1 The Purchaser shall bring to the attention of Georg Fischer all local laws and regulations at the place of destination which bear connection with the execution of the contract and the adherence to relevant safety regulations and approval procedures.
- 6.2 In case of re-exports, Purchaser shall be responsible for compliance with pertinent export control regulations.

7 Price

- 7.1 Unless agreed otherwise, the prices shall be deemed quoted net ex works (according to Incoterms of the ICC, latest version) including standard packing. All supplementary costs such as the cost of carriage, insurance, export-, transit- and importlicences etc. shall be borne by the Purchaser. The Purchaser shall also bear the costs of all taxes, fees, duties etc. connected with the contract.
- 7.2 If the costs of packing, carriage, insurance, fees and other supplementary costs are included in the tender price or contract price or are referred to specifically in the tender or confirmation of order, Georg Fischer reserve the right to revise their prices accordingly should any change occur in the relevant tariffs.

8 Terms of Payment

- 8.1 The Purchaser shall make payment in the manner agreed by the parties without any deductions such as discounts, costs, taxes or dues.
- 8.2 The Purchaser may only withhold or off-set payments due against counter claims which are either expressly acknowledged by Georg Fischer or finally awarded to the Purchaser. In particular, payment shall still be made when unessential items are still out-standing provided that the Products already delivered are not rendered unusable as a result.

9 Retention of Title

- 9.1 The Products shall remain the property of Georg Fischer until the Purchaser shall have settled all claims, present and future, which Georg Fischer may have against him.
- 9.2 Should the Purchaser resell Products to which title is reserved, in the ordinary course of business, he shall hereby be deemed to have tacitly assigned to Georg Fischer the proceeds deriving from their sale together with all collateral rights, securities and reservations of title until all claims held by Georg Fischer shall have been settled. Until revoked by Georg Fischer, this assignment shall not preclude Purchaser's right to collect the assigned receivables.
- 9.3 To the extent the value of the Products to which title is reserved together with collateral securities exceeds Georg Fischer's claims against the Purchaser by more than 20%, Georg Fischer shall re-assign the above proceeds to Purchaser at his request.

10 Delivery

- 10.1 The term of delivery shall commence as soon as the contract has been entered into, all official formalities such as import and payment permits have been obtained and all essential technical issues have been settled. The term of delivery shall be deemed duly observed when, upon its expiry, the Products are ready for despatch.
- 10.2 Delivery is subject to the following conditions, i.e. the term of delivery shall be reasonably extended:
 - a) if Georg Fischer are not supplied in time with the information necessary for the execution of the contract or if subsequent changes causing delays are made by the Purchaser.
 - b) if Georg Fischer are prevented from performing the contract by force majeure. Force majeure shall equally be deemed to be any unforeseeable event beyond Georg Fischer's control which renders Georg Fischer's performance commercially unpractical or impossible, such as delayed or defective supplies from sub contractors labour disputes, governmental orders or regulations, shortages in materials or energy, serious disturbances in Georg Fischer's works, such as the total or partial destruction of plant and equipment or the breakdown of essential facilities, serious disruptions in transport facilities, e.g. impassable roads.
Should the effect of force majeure exceed a period of six months, either party may cancel the contract forthwith.
Georg Fischer shall not be liable for any damage or loss of any kind whatsoever resulting therefrom, any suspension or cancellation being without prejudice to Georg Fischer's right to recover all sums due in respect of consignments delivered and costs incurred to date.
 - c) if the Purchaser is in delay with the fulfilment of his obligations under the contract, in particular, if he does not adhere to the agreed conditions of payment or if he has failed to timely provide the agreed securities.
- 10.3 If for reasons attributable to Georg Fischer the agreed term of delivery or a reasonable extension thereof is exceeded, Georg Fischer shall not be deemed in default until the Purchaser has granted to Georg Fischer in writing a reasonable extension thereof of not less than one month which equally is not met.
The Purchaser shall then be entitled to the remedies provided at law, it being however understood that, subject to limitations of Art. 16, damage claims shall be limited to max. 10% of the price of the delayed delivery.
- 10.4 Part shipments shall be allowed and Georg Fischer shall be entitled to invoice for such partial deliveries.
- 10.5 If the Purchaser fails to take delivery within a reasonable time of Products notified as ready for despatch, Georg Fischer shall be entitled to store the Products at the Purchaser's expense and risk and to invoice them as delivered. If Purchaser fails to effect payment, Georg Fischer shall be entitled to dispose of the Products.
- 10.6 Should Purchaser cancel an order without justification and should Georg Fischer not insist on the performance of the contract, Georg Fischer shall be entitled to liquidated damages in the amount of 10% of the contract price, Georg Fischer's right to prove and claim higher damages remaining reserved. Purchaser shall be entitled to prove, that Georg Fischer has suffered no or a considerably lower damage.

11 Packing

- 11.1 If the Products are provided with additional packing over and above the standard packing, such packing shall be charged additionally.

12 Passing of Risk

- 12.1 The risk in the Products shall pass to the Purchaser as soon as they have left Georg Fischer's works (EX WORKS, Incoterms ICC, latest version), even if delivery is made carriage-paid, under similar clauses or including installation or when carriage is organized and managed by Georg Fischer.
- 12.2 If delivery is delayed for reasons beyond Georg Fischer's control, the risk shall pass to the Purchaser when he is notified that the Products are ready for despatch.

13 Carriage and Insurance

- 13.1 Unless agreed otherwise, the Purchaser shall bear the cost of carriage.
- 13.2 The Purchaser shall be responsible for transport insurance against damage of whatever kind. Even when such insurance is arranged by Georg Fischer it shall be deemed taken out by the order of and for the account of the Purchaser and at his risk.
- 13.3 Special requests regarding carriage and insurance shall be communicated to Georg Fischer in due time. Otherwise carriage shall be arranged by Georg Fischer at their discretion, but without responsibility, by the quickest and cheapest method possible.
In case of carriage-paid delivery transport arrangements shall be made by Georg Fischer. If the Purchaser specifies particular requirements, any extra costs involved shall be borne by him.
- 13.4 In the event of damage or loss of the Products during carriage the Purchaser shall mark the delivery documents accordingly and immediately have the damage ascertained by the carrier. Not readily ascertainable damages sustained during carriage shall be notified to the carrier within six days after receipt of the Products.

14 Inspection, Notification of Defects and Damages

- 14.1 The Products will be subject to normal inspection by Georg Fischer during manufacture. Additional tests required by the Purchaser shall be agreed upon in writing and shall be charged to the Purchaser.
- 14.2 It shall be a condition of Georg Fischer's obligation under the warranties stated hereinafter that Georg Fischer be notified in writing by the Purchaser of any purported defect immediately upon discovery. Notice concerning weight, numbers or apparent defects is to be given latest within 30 days from receipt of the Products, notice of other defects immediately latest within 7 working days after discovery, in any event within the agreed warranty period.
- 14.3 Purchaser shall not dispose of allegedly defective Products until all warranty and/or damage claims are finally settled. At its request, defective Products are to be placed at Georg Fischer's disposal.
- 14.4 At its request, Georg Fischer shall be given the opportunity to inspect the defect and/or damage, prior to commencement of remedial work, either itself or by third party experts.

15 Warranty

- 15.1 At the written request of the Purchaser, Georg Fischer undertake to repair or replace at their discretion, as quickly as possible and free of charge all Products supplied which demonstrably suffer from faulty design, materials or workman-ship or from faulty operating or installation instructions.
In order to protect employees from toxic or radioactive substances which may have been transported through defective parts returned to Georg Fischer's sales organisation, said parts must be accompanied by a Material Safety Disclosure Form. The form may be obtained from Georg Fischer's local sales company or via www.piping.georgfischer.com.
Replaced parts shall become property of Georg Fischer.
- 15.2 For Products which are manufactured to specifications, drawings or patterns supplied by the Purchaser, Georg Fischer's warranty shall be restricted to proper materials and workmanship.
- 15.3 The Purchaser shall be entitled to cancel the contract or to demand a reduction in the contract price if also a second attempt to repair or replace the Products has failed.
- 15.4 For Products or essential components manufactured by a third party and supplied by Georg Fischer under this contract, Georg Fischer's warranty is limited to the warranty provided by said third party.
- 15.5 This warranty shall not apply to damage resulting from normal wear and tear, improper storage and maintenance, failure to observe the operating instructions, overstressing or overloading, unsuitable operating media, unsuitable construction work or unsuitable building ground, improper repairs or alterations by the Purchaser or third parties, the use of other than original spare parts and other reasons beyond Georg Fischer's control.
- 15.6 No action or claim may be brought by the Purchaser on account of any alleged breach of warranty or any other obligation of Georg Fischer after the expiration of twelve (12) months from receipt of the Products by the end user or at the latest within eighteen (18) months of the Products being despatched by Georg Fischer.
- 15.7 In case of Products for use in domestic installations or in utilities
 - Georg Fischer will assume the costs of dismantling the defective Product and restoring the damaged object as well as, in case of negligence, all other direct damages caused by the defective Product (damage to property and injury to or death of persons) up to CHF 1 000 000 per occurrence.
 - the statute of limitations for warranty or damage claims - contrary to Section 15.6 - will be 5 years from the date of installation.

16 Limitation of Liability

- 16.1 All cases of breach of contract and the relevant consequences as well as all rights and claims on the part of the customer, irrespective of what ground they are based, are exhaustively covered by these general conditions of supply. In particular, any claims not expressly mentioned for damages, reduction of price, termination of or withdrawal from the contract are excluded. In no case whatsoever shall the customer be entitled to claim damages other than compensation for costs of remedying defects in the supplies. This in particular refers, but shall not be limited, to loss of production, loss of use, loss of orders, loss of profit and other direct or indirect or consequential damage. This exclusion of liability, however, does not apply to unlawful intent or gross negligence on the part of Georg Fischer and in case of strict liability under applicable product liability statutes, but does apply to unlawful intent or gross negligence of persons employed or appointed by Georg Fischer to perform any of its obligations.

17 Severability

- 17.1 Should any term or clause of these General Conditions in whole or in part be found to be unenforceable or void, all other provisions shall remain in full force and effect and the unenforceable or void provision shall be replaced by a valid provision, which comes closest to the original intention of the unenforceable or invalid provision.

18 Place of Performance and Jurisdiction

- 18.1 Place of performance for the Products shall be the Georg Fischer works from which the Products are despatched.
- 18.2 Any civil action based upon any alleged breach of this contract shall be filed and prosecuted exclusively in the courts of Schaffhausen, Switzerland.
Georg Fischer however reserves the right to file actions in any court having jurisdiction over controversies arising out of or in connection with the present contract.
- 18.3 The contract shall be governed by Swiss law without regard to conflict of law provisions that would require the application of another law.

GF Piping Systems → worldwide at home

Our sales companies and representatives ensure local customer support in over 100 countries.

www.piping.georgfischer.com



The technical data is not binding. They neither constitute expressly warranted characteristics nor guaranteed properties nor a guaranteed durability. They are subject to modification. Our General Terms of Sale apply.

Adding Quality to People's Lives

Australia

George Fischer Pty Ltd
Riverwood NSW 2210 Australia
Phone +61(0)2 9502 8000
australia.ps@georgfischer.com
www.georgfischer.com.au

Austria

Georg Fischer
Rohrleitungssysteme GmbH
3130 Herzogenburg
Phone +43(0)2782 856 43-0
austria.ps@georgfischer.com
www.georgfischer.at

Belgium/Luxembourg

Georg Fischer NV/SA
1070 Bruxelles/Brüssel
Phone +32(0)2 556 40 20
be.ps@georgfischer.com
www.georgfischer.be

Brazil

Georg Fischer Ltda
04795-100 São Paulo
Phone +55(0)11 5687 1311
br.ps@georgfischer.com

China

Georg Fischer
Piping Systems Ltd Shanghai
Pudong, Shanghai 201319
Phone +86(0)21 58 13 33 33
china.ps@georgfischer.com
www.cn.piping.georgfischer.com

Denmark/Iceland

Georg Fischer A/S
2630 Taastrup
Phone +45 (0)70 22 19 75
info.dk.ps@georgfischer.com
www.georgfischer.dk

France

Georg Fischer SAS
95932 Roissy Charles de Gaulle Cedex
Phone +33(0)1 41 84 68 84
fr.ps@georgfischer.com
www.georgfischer.fr

Germany

Georg Fischer GmbH
73095 Albershausen
Phone +49(0)7161 302-0
info.de.ps@georgfischer.com
www.georgfischer.de

India

Georg Fischer Piping Systems Ltd
400 076 Mumbai
Phone +91 224007 2001
in.ps@georgfischer.com
www.georgfischer.in

Italy

Georg Fischer S.p.A.
20063 Cernusco S/N (MI)
Phone +3902 921 861
it.ps@georgfischer.com
www.georgfischer.it

Japan

Georg Fischer Ltd
556-0011 Osaka,
Phone +81(0)6 6635 2691
jp.ps@georgfischer.com
www.georgfischer.jp

Korea

Georg Fischer Piping Systems
Guro-3 dong, Guro-gu, Seoul, Korea
Phone +82(0)2 2081 1450
Fax +82(0)2 2081 1453
kor.ps@georgfischer.com

Malaysia

Georg Fischer (M) Sdn. Bhd.
40460 Shah Alam, Selangor
Phone +60 (0)3 5122 5585
conne.kong@georgfischer.com

Mexico

Georg Fischer S.A. de C.V.
Apodaca, Nuevo Leon
CP66636 Mexico
Phone +52 (81)1340 8586
Fax +52 (81)1522 8906

Middle East

Georg Fischer Piping Systems
Dubai, United Arab Emirates
Phone +971 4 289 49 60
info.export@georgfischer.com
www.export.georgfischer.com

Netherlands

Georg Fischer N.V.
8161 PA Epe
Phone +31(0)578 678 222
nL.ps@georgfischer.com
www.georgfischer.nl

Norway

Georg Fischer AS
1351 Rud
Phone +47(0)67 18 29 00
no.ps@georgfischer.com
www.georgfischer.no

Poland

Georg Fischer Sp. z o.o.
02-226 Warszawa
Phone +48(0)22 313 10 50
poland.ps@georgfischer.com
www.georgfischer.pl

Romania

Georg Fischer
Piping Systems Ltd
020257 Bucharest - Sector 2
Phone +40(0)21 230 53 80
ro.ps@georgfischer.com
www.export.georgfischer.com

Russia

Georg Fischer Piping Systems
Moscow 125047
Tel. +7 495 258 60 80
ru.ps@georgfischer.com
www.georgfischer.ru

Singapore

George Fischer Pte Ltd
528 872 Singapore
Phone +65(0)67 47 06 11
sgp.ps@georgfischer.com
www.georgfischer.com.sg

Spain/Portugal

Georg Fischer S.A.
28046 Madrid
Phone +34(0)91 781 98 90
es.ps@georgfischer.com
www.georgfischer.es

Sweden/Finland

Georg Fischer AB
12523 Älvsjö-Stockholm
Phone +46(0)8 506 775 00
info.se.ps@georgfischer.com
www.georgfischer.se

Switzerland

Georg Fischer
Rohrleitungssysteme (Schweiz) AG
8201 Schaffhausen
Phone +41(0)52 631 30 26
ch.ps@georgfischer.com
www.piping.georgfischer.ch

Taiwan

Georg Fischer Piping Systems
San Chung City, Taipei Hsien
Phone +886 2 8512 2822
Fax +886 2 8512 2823

United Kingdom/Ireland

Georg Fischer Sales Limited
Coventry, CV2 2ST
Phone +44(0)2476 535 535
uk.ps@georgfischer.com
www.georgfischer.co.uk

USA/Canada/Latin America/Caribbean

Georg Fischer LLC
Tustin, CA 92780-7258
Phone +1(714) 731 88 00
Toll Free 800 854 40 90
us.ps@georgfischer.com
www.us.piping.georgfischer.com

International

Georg Fischer
Piping Systems (Switzerland) Ltd.
8201 Schaffhausen
Phone +41(0)52 631 30 03
Fax +41(0)52 631 28 93
info.export@georgfischer.com
www.export.georgfischer.com

GMST 8237/4a (11.08)

© Georg Fischer Piping Systems Ltd.
8201 Schaffhausen/Switzerland, 2005
Printed in Germany

+GF+

GEORG FISCHER PIPING SYSTEMS